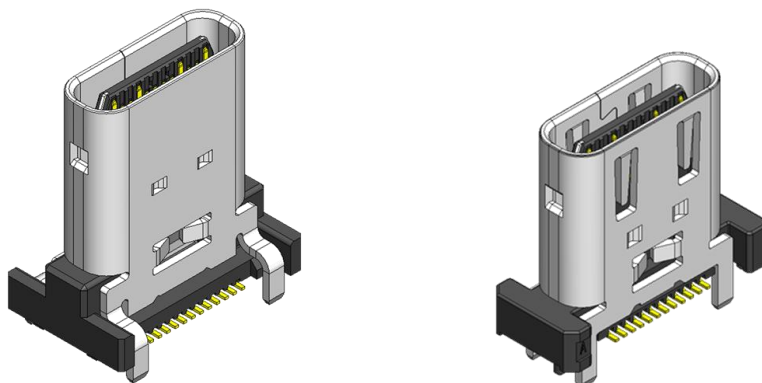


USB Type-C® Compatible DX07 Series Vertical Receptacle

CONNECTOR

MB-0336-7

Jan.2026

RoHS CompliantOn-board Type

Overview

The DX07 Series are USB Type-C® compliant connectors ideally suited for use in various devices, such as PCs, smartphones, audio-visual equipment, gaming devices, and other hand-held devices.

This product is a vertical type receptacle ideal for monitors and other peripheral devices.

Note) USB Type-C®, USB-C® are trademarks of USB Implementers Forum.

Application

Monitors, hubs, wall outlets, USB chargers, printers, POS terminal, and others

Features

- Compliant with Universal Serial Bus Type-C Specification Release 2.4
- Compatible with 10Gbps x2 (20Gbps) Super Speed communication. (USB 3.2)
- Supports 240W (5A/48V) maximum power supply.
(Compatible with USB Power Delivery Extended Power Range)
- Reversible plug orientation makes it possible to insert in either way.
- Lock structure with superior durability.

General Specifications

Number of Contacts	24 Position	Rated Current	V _{BUS} (Terminal No. A4, A9, B4, B9) DC 5 A (Total)
Contact Resistance	40 mΩ max. (initial)		GND(Terminal No. A1, A12, B1, B12) DC 5.5 A(Total)
Dielectric Withstanding Voltage	100 Vr.m.s.(per minute)		V _{CONN} (Terminal No. B5) DC 0.5 A
Insulation Resistance	100 MΩ (initial)		Others DC 0.25 A
Durability	10,000 times	Rated Voltage	48 Vr.m.s.
Operating Temperature Range	-40 deg. C to +85 deg. C		

Ordering Information

DX07 S * 24 W * * R****

Series
DX07: USB Type C

S: On-board

Modification Code #1

No. of Contacts: 24 pos.

Reeled pcs. / reel

Modification Code #2

Plating Specification

J: Contact area: Au flash over Palladium Ni over Ni plating

A: Contact area: Au plating over Ni

Board Connection Type

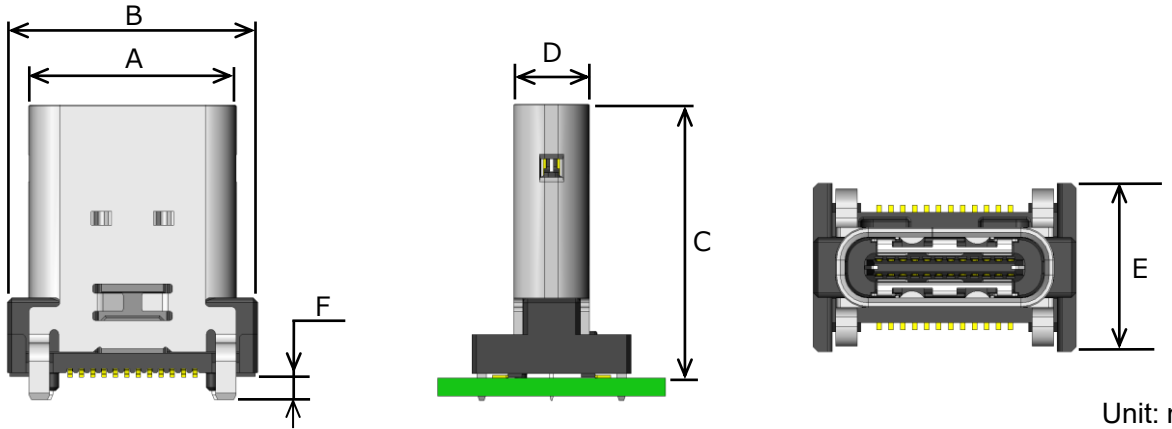
W: Vertical Type

TID No.

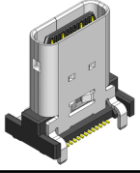
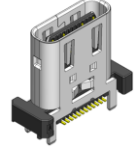
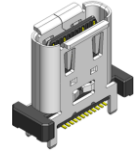
Part Number	TID No.
DX07S024WJ1	5200000229
DX07S024WJ3	5200000400
DX07S024WJ4	-
DX07S024WA7	14101

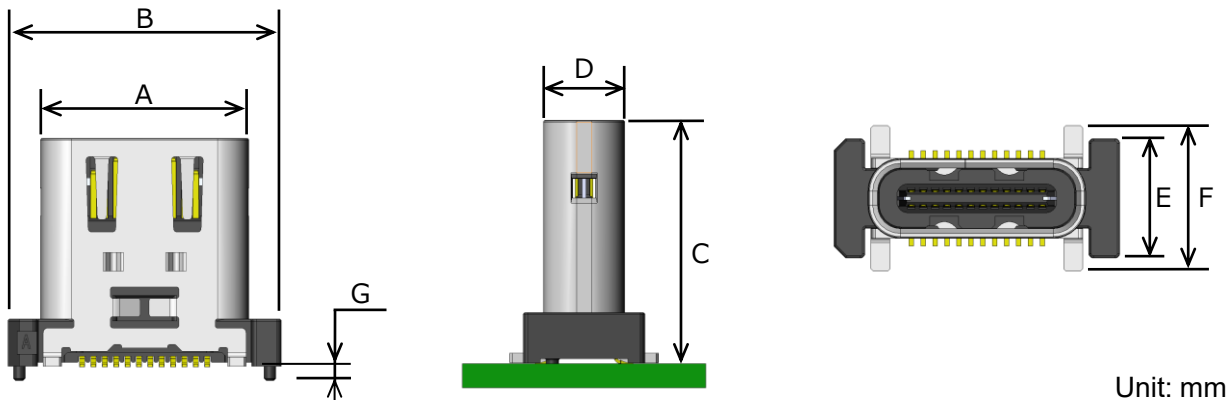
Outer Dimensions

On-board

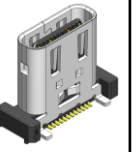


Unit: mm

Part Number		Dimension A	Dimension B	Dimension C	Dimension D	Dimension E	Dimension F	Mating Length	Ground Connection
DX07S024WJ1		9.14	11.0	12.0	3.34	7.0	1.0	4.7	Ground plate
DX07S024WJ3			12.0	10.0		5.0	1.8	5.0	Shell spring
DX07S024WA7 (With mating guide)									



Unit: mm

Part Number		Dimension A	Dimension B	Dimension C	Dimension D	Dimension E	Dimension F	Dimension G	Mating Length	Features
DX07S024WJ4		9.14	12.0	10.0	3.34	5.0	6.1	0.6	5.0	ALL SMT

Part Numbers and Product Drawings

Part Number	Drawing Number	Specifications	Handling Instructions	Package Quantity
DX07S024WJ1 DX07S024WJ1R350	SJ117219 SJ117220	JACS-30368	J AHL-30368	350 pieces/reel
DX07S024WJ3 DX07S024WJ3R400	SJ117928 SJ117929			400 pieces/reel
DX07S024WJ4 DX07S024WJ4R450	SJ121804 SJ121805			450 pieces/reel
DX07S024WA7 DX07S024WA7R350	SJ130549 SJ130550			350 pieces/reel

Remarks: Large selection of connector variations are available in DX07 Series
Please refer to the chart below for brochures of other variations.

Brochure Number	Brochure Name
MB-0297-*	DX07 SMT Contact Receptacle
MB-0333-*	DX07 Waterproof Receptacle
MB-0335-*	DX07 Hybrid Contact Receptacle
MB-0350-*	DX07 16-position Receptacle
MB-0362-*	DX07 USB4 Gen3 Compatible Receptacle
MB-0410-*	DX07 Repairable Receptacle
MB-0301-*	DX07 Plug Series
MB-0332-*	DX07 Vertical Plug
MB-0324-*	DX07 Harness

Note) The asterisk (*) stands for revision number.

Notice:

1. The specifications provided in this brochure are for reference purpose only. The products and their specifications are subject to change without notice. Please contact our sales representatives for further information before considering or placing an order. A formal product specification must be agreed upon prior to purchase.
2. Users are responsible for implementing appropriate protection and redundancy circuits to ensure safety of the equipment and sufficiently review the suitability of JAE's products to the equipment.

3. The products presented in this brochure are designed for the uses recommended below.
We strongly suggest you contact our sales staff when considering use of any of the products in any other way than the recommended applications or for a specific use that requires an extremely high reliability.

(1) Applications that require consultation:

(i) Please contact us if you are considering use involving a quality assurance program that you specify or that is peculiar to the industry, such as:

Automotive electrical components, train control, telecommunications devices (mainline), traffic light control, electric power, combustion control, fire prevention or security systems, disaster prevention equipment, etc.

(ii) We may provide separate support based on your specified quality assurance program, when you think of a use such as :
Aviation or space equipment, submarine repeaters, nuclear power control systems, medical equipment for life support, etc.

(2) Recommended applications include:

Computers, office appliances, telecommunications devices (terminals, mobile units), measuring equipment, audiovisual equipment, home electric appliances, factory automation equipment, etc.

Japan Aviation Electronics Industry, Limited

* The specifications in this brochure are subject to change without notice. Please contact JAE for information.