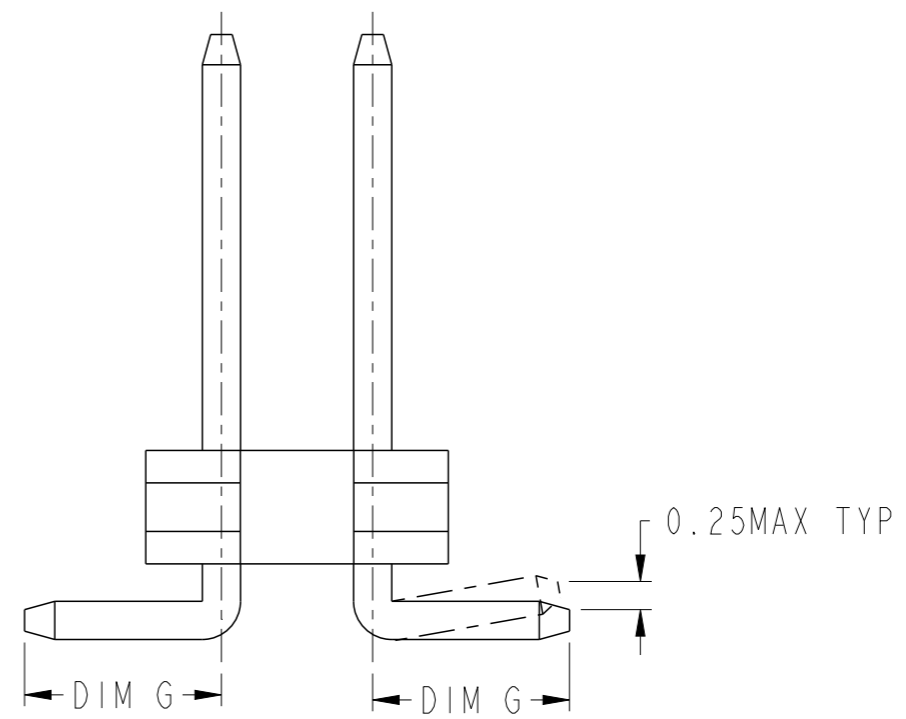


RECOMMENDED PAD LAYOUT

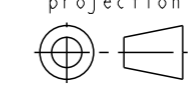




spec ref	-	dr	wcadmin, wcadm	2010/10/29	projection	MM	size	A3	scale	1:1													
tolerance std	ISO 406 ISO 1101	eng	Yuan-Yuan Bao	2022/03/08			ecn no	ELX-N-38731-3															
TOLERANCES UNLESS OTHERWISE SPECIFIED		chr	-	-			rel level	Released															
surface	<table border="1"> <tr> <td>linear</td> <td>0.X</td> <td>± -</td> </tr> <tr> <td></td> <td>0.XX</td> <td>± 0.25</td> </tr> <tr> <td></td> <td>0.XXX</td> <td>± -</td> </tr> <tr> <td>angular</td> <td>0°</td> <td>± °</td> </tr> </table>	linear	0.X	± -		0.XX	± 0.25		0.XXX	± -	angular	0°	± °	appr	Tim Yao	2022/03/09	product family	MINITEK II		dwg no	89100	rev	AV
linear	0.X	± -																					
	0.XX	± 0.25																					
	0.XXX	± -																					
angular	0°	± °																					
ISO 1302		www.fci.com		cat. no.	POL. SMT STR HEADER HTP		Product - Customer Drw		sheet 1 of 3														


1		2				3		4	
PRODUCT NO.	POS	DIM X	DIM Y	DIM G	DIM H	POL. POS	PLATING	HSG COLOR	
89100-001 (14)	2X3	4	6	2.6	4.0	3	0.2um MIN Au	NATURAL	A
-010 (14)	2X3	4	6	2.6	4.0	5	0.76um MIN GXT	NATURAL	
-011 (14)	2X3	4	6	2.6	4.0	3	0.76um MIN GXT	NATURAL	
-012 (14)	2X16	30	32	2.6	4.0	9,10,15,16	0.76um MIN Au	NATURAL	
-013 (14)	2X25	48	50	1.65	3.8	5,6,26	0.76um MIN Au	NATURAL	
-014 (14)	2X16	30	32	2.6	2.2	9,10,15,16	0.76um MIN Au	NATURAL	
-018 (14)	2X10	18	20	2.6	5.5	-	0.38um MIN GXT	NATURAL	
-021 (14)	2X5	8	10	2.6	4.0	7	0.38um MIN GXT	NATURAL	
-022 (14)	2X7	12	14	2.6	4.7	-	0.76um MIN GXT	NATURAL	
-023 (14)	2X3	4	6	2.0	4.0	5	0.76um MIN GXT	NATURAL	
-024 (14)	2X6	10	12	2.6	5.5	-	0.38um MIN GXT	NATURAL	B
-025 (14)	2X4	6	8	2.6	4.0	5	0.76um MIN GXT	NATURAL	
-028 (14)	2X6	10	12	2.6	6.2	-	0.38um MIN GXT	NATURAL	
-029 (15)	2X25	48	50	2.0	4.0	9,11,12,13,14,19,21,22,23 24,25,35,36,37,38,49	0.38um MIN GXT	BLACK	
-030 (15)	2X6	10	12	2.5	4.0	9	0.38um MIN GXT	BLACK	
-031 (15)	2X13	24	26	2.6	5.5	-	0.38um MIN GXT	BLACK	
-032 (15)	2X6	10	12	2.0	4.0	9	0.38um MIN GXT	BLACK	
-033 (15)	2X23	44	46	2.5	10.5	-	0.38um MIN GXT	BLACK	
-034 (15)	2X8	14	16	2.6	6.2	-	0.38um MIN GXT	BLACK	
-035 (15)	2X15	28	30	2.6	6.2	-	0.38um MIN GXT	BLACK	
-036 (14)	2X6	10	12	2.6	5.5	-	0.38um MIN Au	NATURAL	C
-037 (15)	2X4	6	8	2.25	3.0	-	0.76um MIN Au	BLACK	
-038 (15)	2X22	42	44	2.0	4.0	20	0.2um MIN Au	BLACK	
-039 (15)	2X4	6	8	2.25	5.3	-	0.2um MIN Au	BLACK	
-040 (15)	2X5	8	10	2.25	5.3	-	0.2um MIN Au	BLACK	D

Amphenol FCI

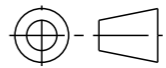
© 2020 Amphenol Corporation

dr	wcadmin, wcadm	2010/10/29			size	A3	scale	1:1
eng	Yuan-Yuan Bao	2022/03/08			ecn no	ELX-N-38731-3		
chr	-	-			rel level	Released		
appr	Tim Yao	2022/03/09			product family			
		MINITEK II		dwg no	89100	rev	AV	
www.fci.com		cat. no.	Product - Customer Drw		sheet 2 of 3			

NOTES:

1. MATERIAL:
 BODY : HIGH TEMPERATURE THERMOPLASTIC, UL 94V-0
 COLOR REFER TO TABLE.
 PIN : COPPER ALLOY
2. TOLERANCE UNLESS OTHERWISE NOTED ± 0.25
3. POLARISED BY OMISSION OF PINS. REFER TO TABLE FOR POSITION.
4. DIM 1.0 APPLIES TO MOLDED SIDE(S) ONLY. IF SIDE(S) ARE BROKEN, DIM 1.5 MAX APPLIES.
5. RECESS APPLIES TO MOLDED SIDE(S) ONLY.
6. STANDARD PACKAGING IN PLASTIC BAG.
7. P/N 89100-030TR TO BE PACKED IN TAPE AND REEL WITH PICK-UP CAP.
8. P/N 89100-031TR TO BE PACKED IN TAPE AND REEL WITH PICK-UP CAP.
9. P/N 89100-032TR TO BE PACKED IN TAPE AND REEL WITH PICK-UP CAP.
10. P/N 89100-036TR TO BE PACKED IN TAPE AND REEL WITH PICK-UP CAP.
11. P/N 89100-037TR TO BE PACKED IN TAPE AND REEL WITH PICK-UP CAP.
12. PRODUCT DESCRIPTION CODE:
 XXXXX-XXXLF

13. 89100-XXXLF IS MADE FROM 88099-XXXLF.
14. THE HOUSING WILL WITHSTAND EXPOSURE TO 250°C PEAK TEMPERATURE FOR 10 SECONDS IN A CONVECTION, INFRA-RED OR VAPOR PHASE REFLOW OVEN.
15. THE HOUSING WILL WITHSTAND EXPOSURE TO 255°C PEAK TEMPERATURE FOR 10 SECONDS IN A CONVECTION, INFRA-RED OR VAPOR PHASE REFLOW OVEN.
16. THIS PRODUCT MEETS EUROPEAN UNION DIRECTIVES AND OTHER COUNTRY REGULATIONS AS DESCRIBED IN GS-22-008.



dr	wcadmin, wcadm	2010/10/29	projection 	MM ←————→	size	A3	scale	10:1
eng	Yuan-Yuan Bao	2022/03/08			ecn no	ELX-N-38731-3		
chr	-	-	product family	-	rel level	Released		
appr	Tim Yao	2022/03/09						
Amphenol FCI		MINITEK II		dwg no	89100		rev	AV
www.fci.com		cat. no.	-	Product - Customer Drw			sheet 3 of 3	