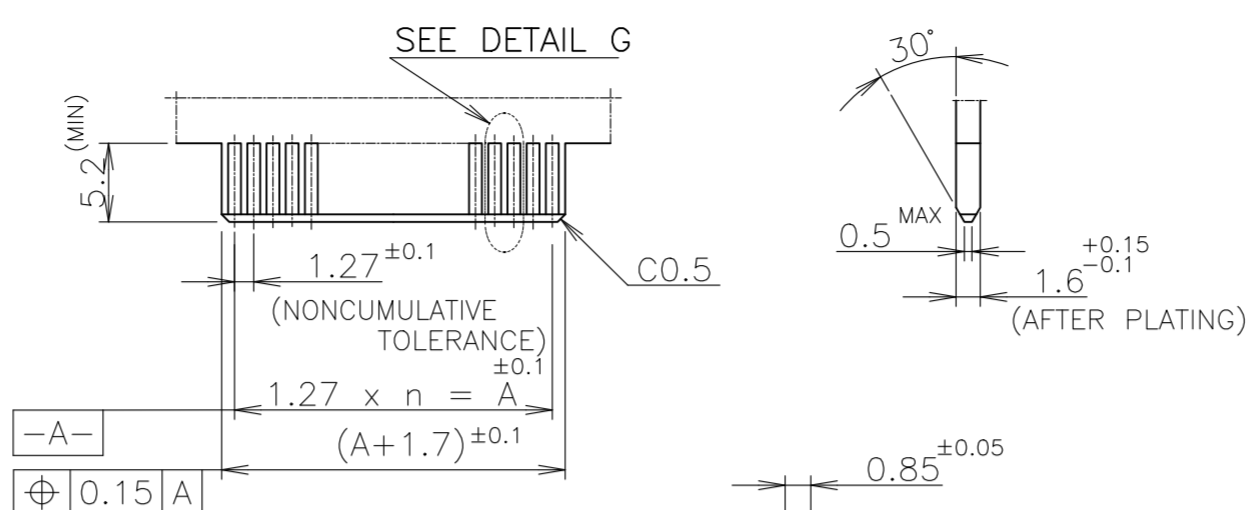
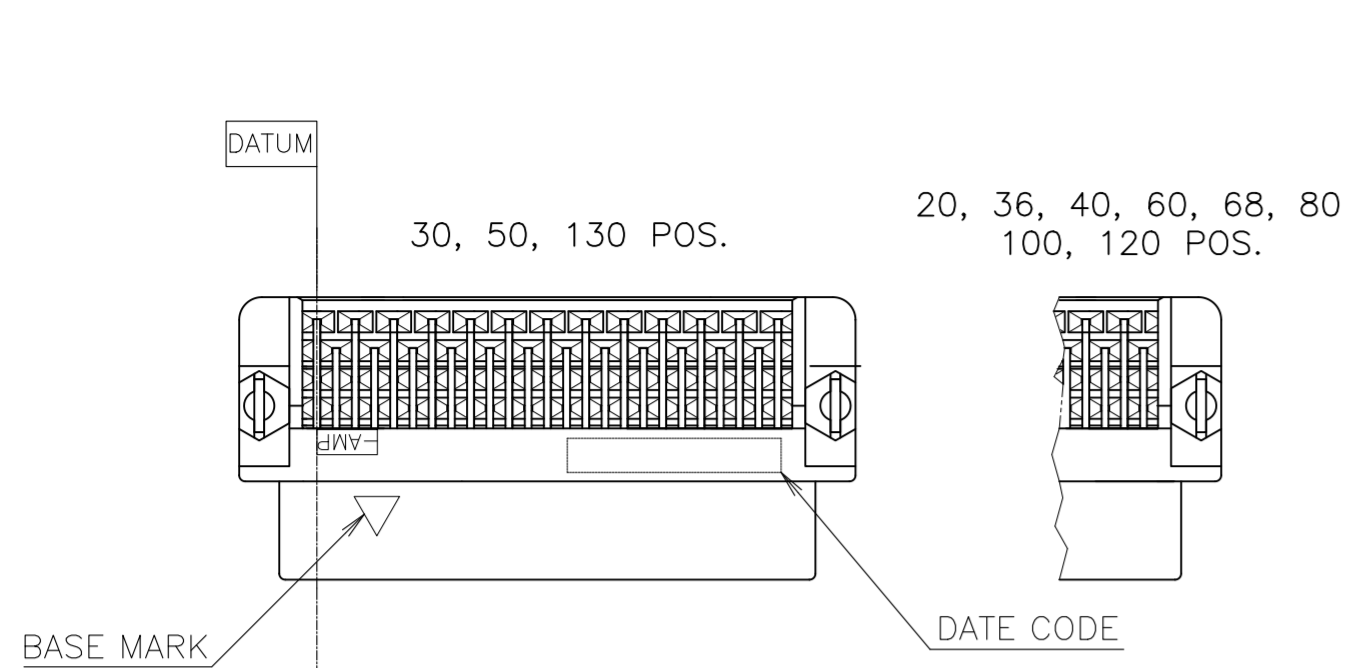
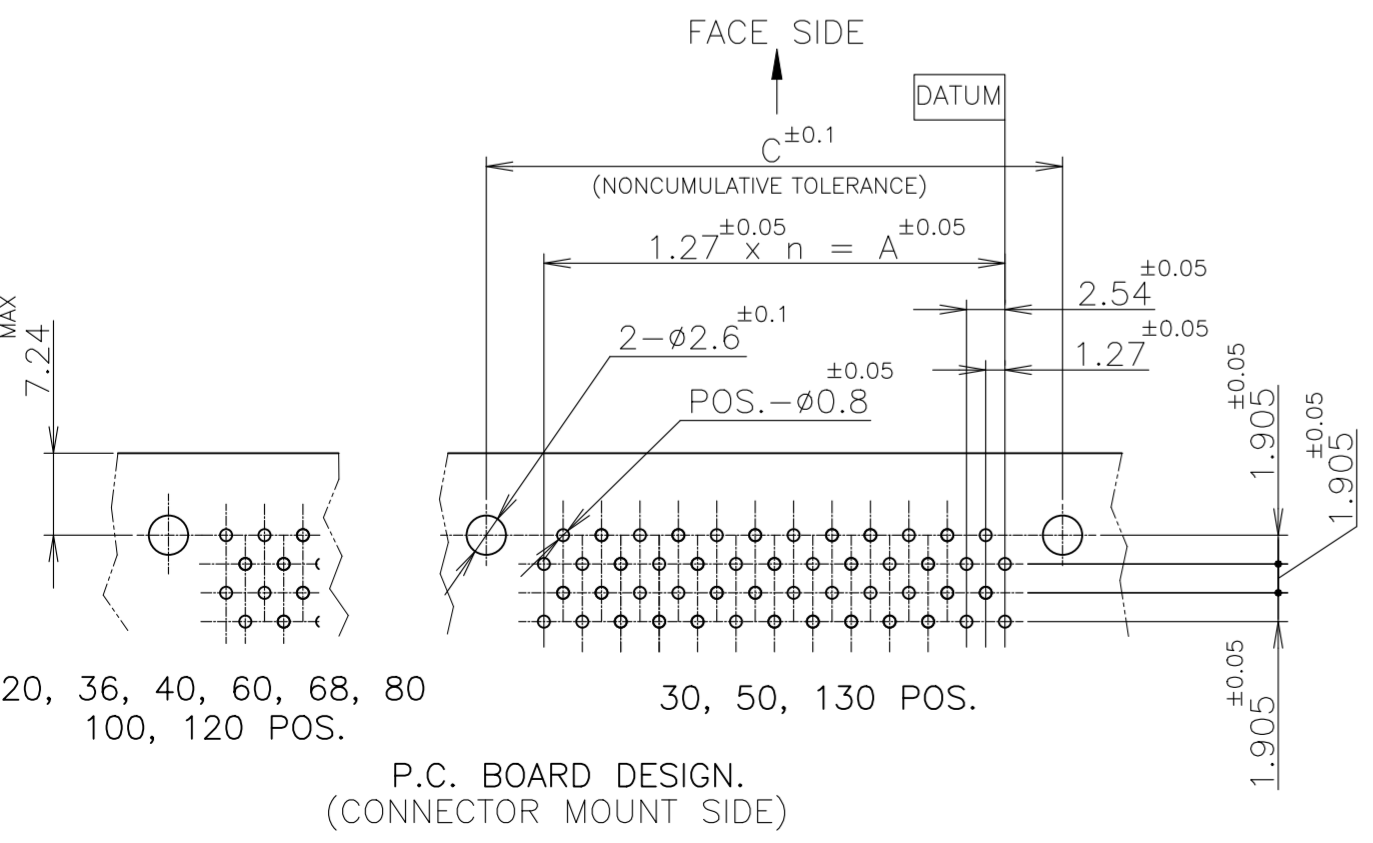
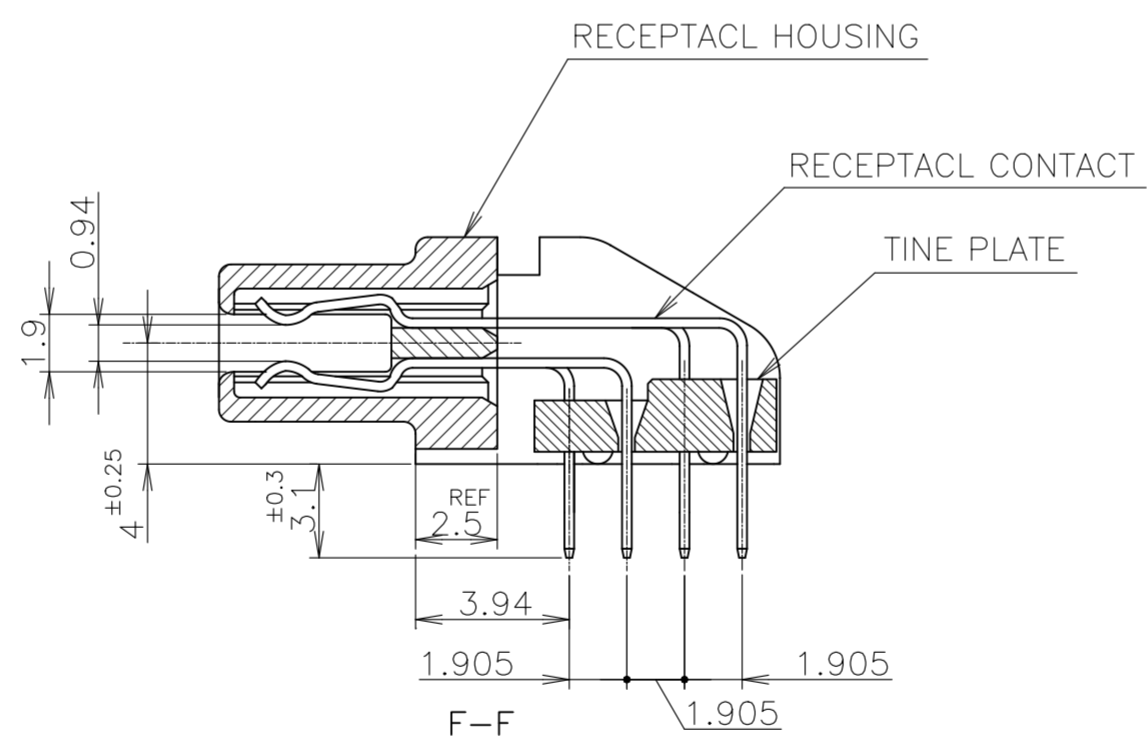
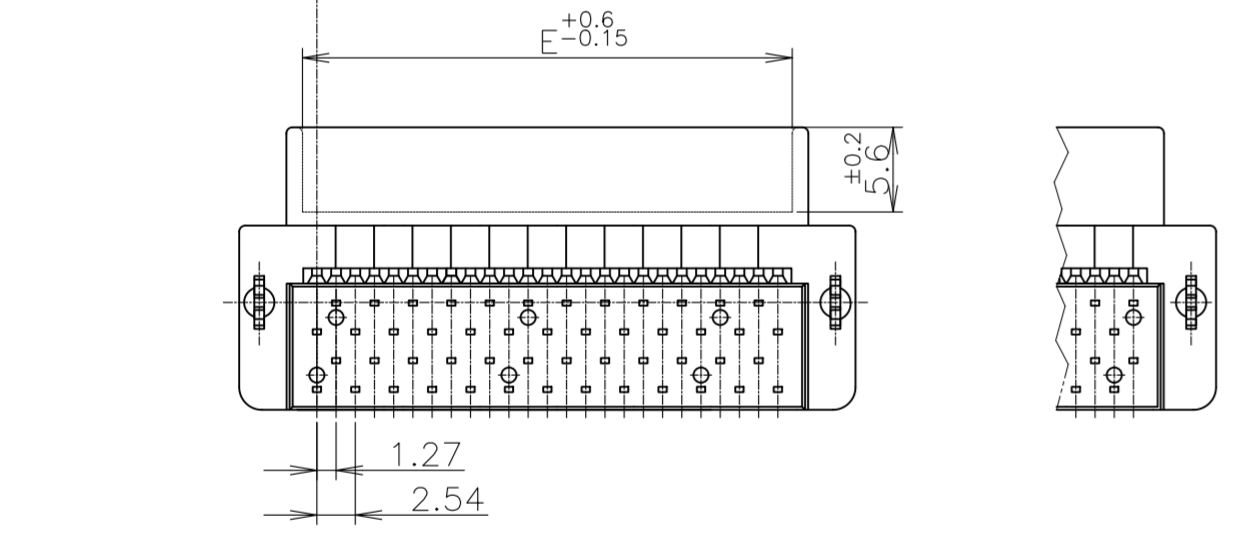
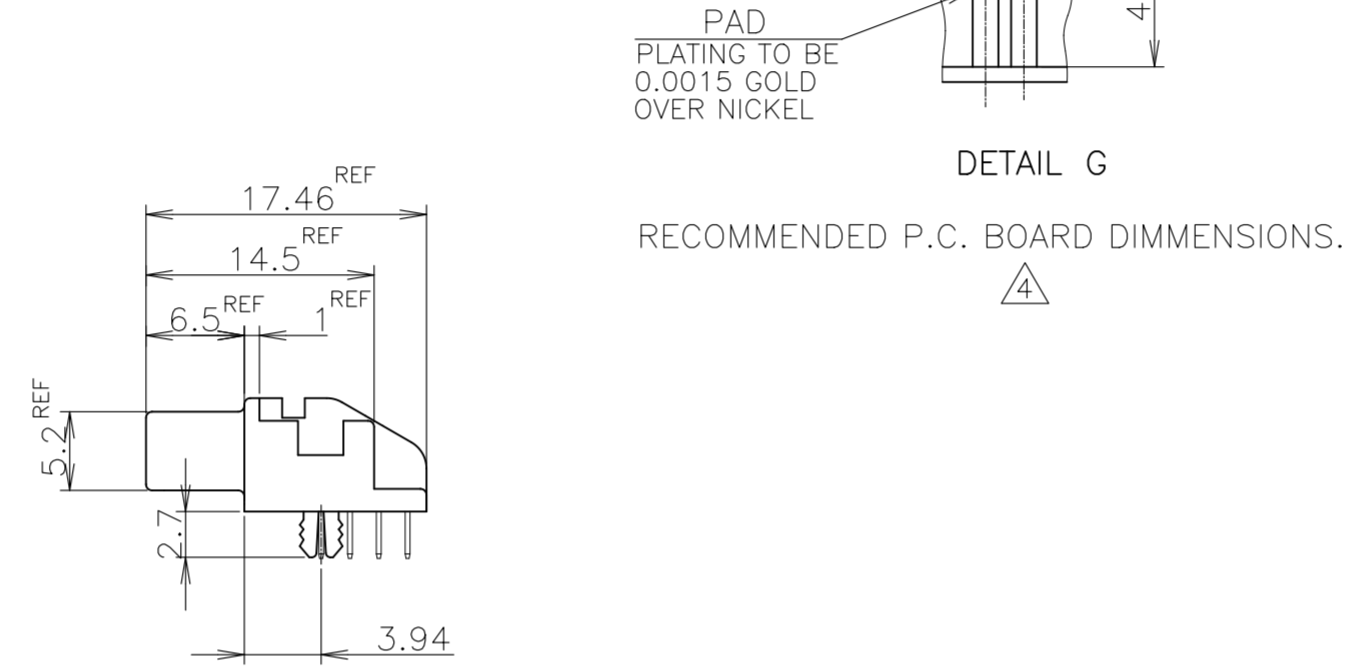
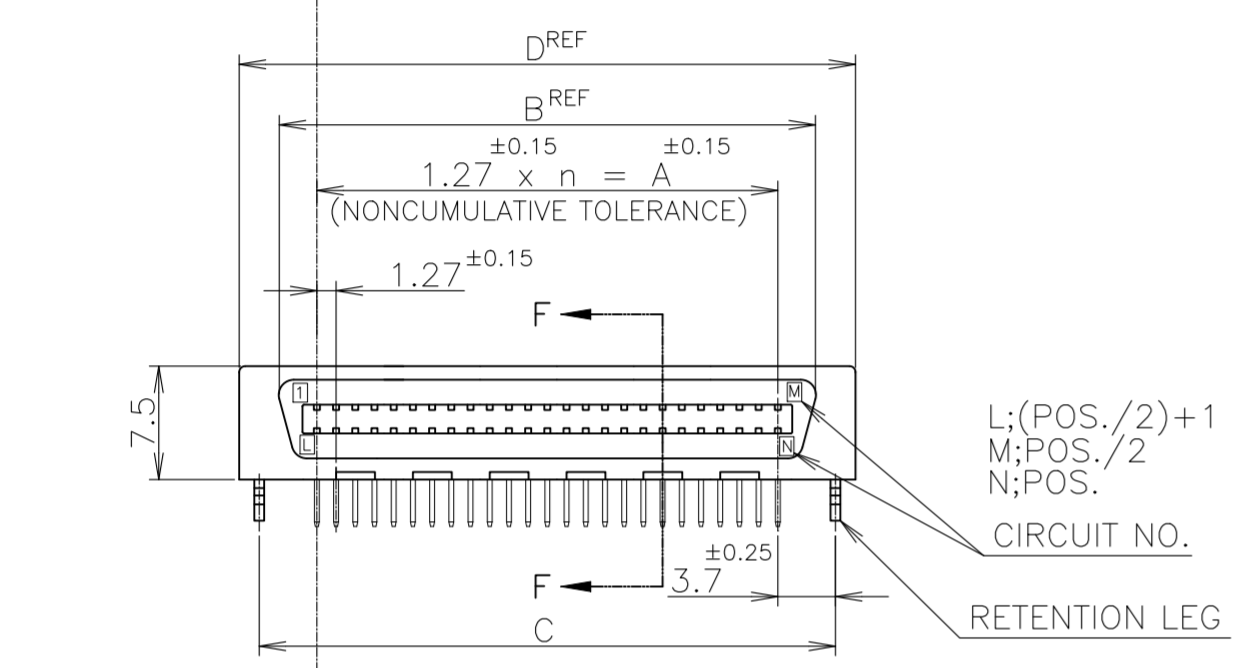


THIS DRAWING IS UNPUBLISHED. RELEASED FOR PUBLICATION OCT., 1988.  
 © COPYRIGHT 1988 BY - ALL RIGHTS RESERVED.

REVISIONS					
P	LTR	DESCRIPTION	DATE	DWN	APVD
S2		REVISED AS PER ECR-26-267870	27JAN2026	TR	NSK



- 1 NUMBER "n" IS COUNTED FROM DATUM (CIRCUIT NO.1 IS "AMP" MARK SIDE.)
- △ MATERIAL: HOUSING, 66 NYLON (GF) UL 94V-0, BLACK.  
: CONTACT, PHOSPHOR BRONZE.  
: RETENTION LEG; BRASS.
- △ FINISH: CONTACT; Au AT CONTACT AREA (SEE TABLE), TIN AT TINE, OVER Ni.
- Ⓐ ALTERNATE PLATING: Au 2u" + 30u" PdNi  
{FOR 5-1, 5-5, 5-6, 5-7, 5-8, 6-0, }  
ALTERNATE PLATING: Au 2u" + 18u" PdNi  
{FOR 3-3, 3-5, 3-6, 3-7, 3-8, 4-0, 4-2. }
- RETENTION LEG; TIN UNDER Ni.
- △ P.C. BOARD THK MUST BE 1.6<sup>+0.15</sup>/<sub>-0.1</sub> FOR CARD EDGE CONNECTOR



LEAD FREE

GENERAL TOLERANCE

10 ≥	±0.2
30 ≥ > 10	±0.25
100 ≥ > 30	±0.3
ANGLES	±3°

POS.	n	A	B	C	D	E					
OBSOLETE	6-	-2	130	64	81.28	86.82	88.68	92.48	83.18		
OBSOLETE	6-	-1	120	59	74.93	80.47	82.33	86.13	76.83		
	6-	-0	100	49	62.23	67.77	69.63	73.43	64.13		
	5-	-9	80	39	49.53	55.07	56.93	60.73	51.43		
OBSOLETE	5-	-8	68	33	41.91	47.45	49.31	53.11	43.81		
	5-	-7	60	29	36.83	42.37	44.23	48.03	38.73		
	5-	-6	50	24	30.48	36.02	37.88	41.68	32.38		
	5-	-5	40	19	24.13	29.67	31.53	35.33	26.03		
OBSOLETE	5-	-3	30	14	17.78	23.32	25.18	28.98	19.68		
	5-	-1	0.00076	20	9	11.43	16.97	18.83	22.63	13.33	
OBSOLETE	4-	-2	130	64	81.28	86.82	88.68	92.48	83.18		
OBSOLETE	4-	-1	120	59	74.93	80.47	82.33	86.13	76.83		
OBSOLETE	4-	-0	100	49	62.23	67.77	69.63	73.43	64.13		
OBSOLETE	3-	-9	80	39	49.53	55.07	56.93	60.73	51.43		
	3-	-8	68	33	41.91	47.45	49.31	53.11	43.81		
	3-	-7	60	29	36.83	42.37	44.23	48.03	38.73		
	3-	-6	50	24	30.48	36.02	37.88	41.68	32.38		
	3-	-5	40	19	24.13	29.67	31.53	35.33	26.03		
	3-	-3	30	14	17.78	23.32	25.18	28.98	19.68		
OBSOLETE	3-	-1	0.0005	20	9	11.43	16.97	18.83	22.63	13.33	
OBSOLETE	1-	-2	130	64	81.28	86.82	88.68	92.48	83.18		
OBSOLETE	1-	-1	120	59	74.93	80.47	82.33	86.13	76.83		
OBSOLETE	1-	-0	100	49	62.23	67.77	69.63	73.43	64.13		
OBSOLETE		-9	80	39	49.53	55.07	56.93	60.73	51.43		
		-8	68	33	41.91	47.45	49.31	53.11	43.81		
OBSOLETE		-7	60	29	36.83	42.37	44.23	48.03	38.73		
		-6	50	24	30.48	36.02	37.88	41.68	32.38		
		-5	40	19	24.13	29.67	31.53	35.33	26.03		
OBSOLETE		-4	36	17	21.59	27.13	28.99	32.79	23.49		
OBSOLETE		-3	30	14	17.78	23.32	25.18	28.98	19.68		
			5175474-1	0.0002	20	9	11.43	16.97	18.83	22.63	13.33

THIS DRAWING IS A CONTROLLED DOCUMENT.

DWN S.ISHIKAWA 13OCT88	TE Connectivity Ltd. CHAMP .050 CONNECTOR(B-T-B) RECEPTACLE COECTOR HORIZONTAL WITH RETENTION LEG					
CHK Steven Yoo 19AUG2004						
APVD Julyee Zhu 19AUG2004						
NAME						
DIMENSIONS: mm	TOLERANCES UNLESS OTHERWISE SPECIFIED:	108-60038	SIZE A2	CAGE CODE 00779	DRAWING NO. C=5175474	RESTRICTED TO
0 PLC ±	1 PLC ±	APPLICATION SPEC	WEIGHT 0.000000	SCALE NTS	SHEET 1 of 1	REV S2
2 PLC ±	3 PLC ±	MATERIAL	CUSTOMER DRAWING			
4 PLC ±	ANGLES ±	FINISH				