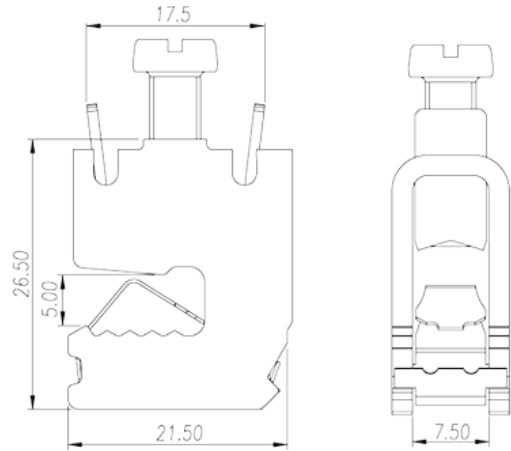


DKZ16

DIN Rail Terminal Blocks > Busbar Terminal Blocks

Date:2026-06-15Version:1.1



The web catalog is for reference only. Dinkle remains the right of product modification and engineering change of the design. The final product is made according to engineering drawing.

Product Description

M5, Steel

General information

| | |
|-------------------|--|
| Short description | DIN Rail terminal blocks, Busbar terminal blocks |
| Connection method | Screw connection |
| Type of locking | Busbar mounting |
| Connection points | 1 |

Connection data-IEC

| | |
|--|---------|
| Conductor cross section solid. min (mm ²) | 1.5 |
| Conductor cross section solid.max (mm ²) | 16 |
| Conductor cross section stranded. min (mm ²) | 1.5 |
| Conductor cross section stranded. max (mm ²) | 16 |
| Screw thread | M5 |
| Slotted screwdriver size (Blade thickness x Width)(mm) | 1.0x5.5 |
| Philips screwdriver size | PH2 |
| Recommend tightening torque. min (N.m) | 2 |
| Recommend tightening torque. max (N.m) | 4 |
| End cover plate required | NO |

| | |
|-----------------------|----|
| Grounding connections | NO |
|-----------------------|----|

Connection data-UL

| | |
|--|----|
| Min. solid wire connection (AWG) acc. to UL/CUL | 14 |
| Max. solid wire connection AWG acc. to UL/CUL | 4 |
| Min. stranded wire connection AWG acc. to UL/CUL | 14 |
| Max. stranded wire connection AWG acc. to UL/CUL | 4 |

Environment & Safety

| | |
|---|----|
| Back of the hand protection (YES or NO) | NO |
| Finger protection (YES or NO) | NO |

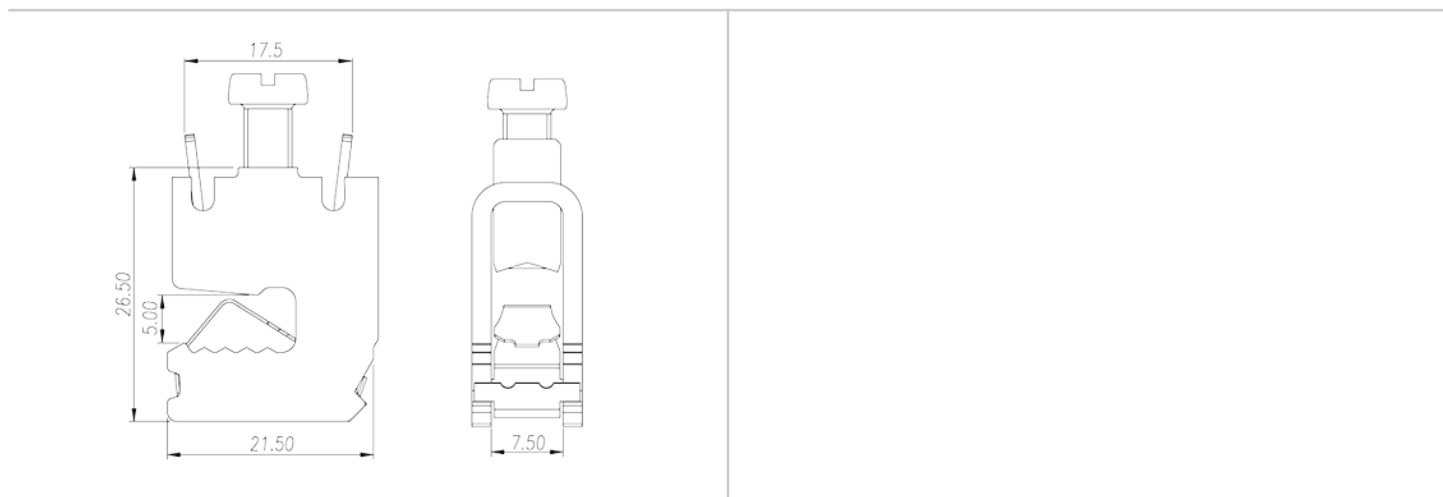
UL Recognized

| | |
|---------------------------|------|
| Wire Range (Group B)(AWG) | 14~4 |
|---------------------------|------|

CUL Recognized

| | |
|---------------------------|------|
| Wire Range (Group B)(AWG) | 14~4 |
|---------------------------|------|

Drawings



Approvals



