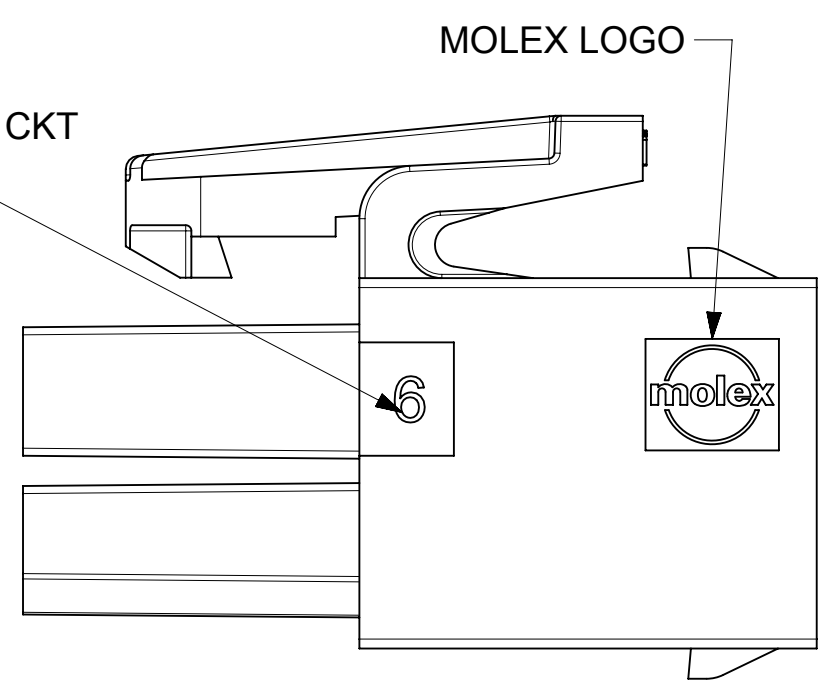
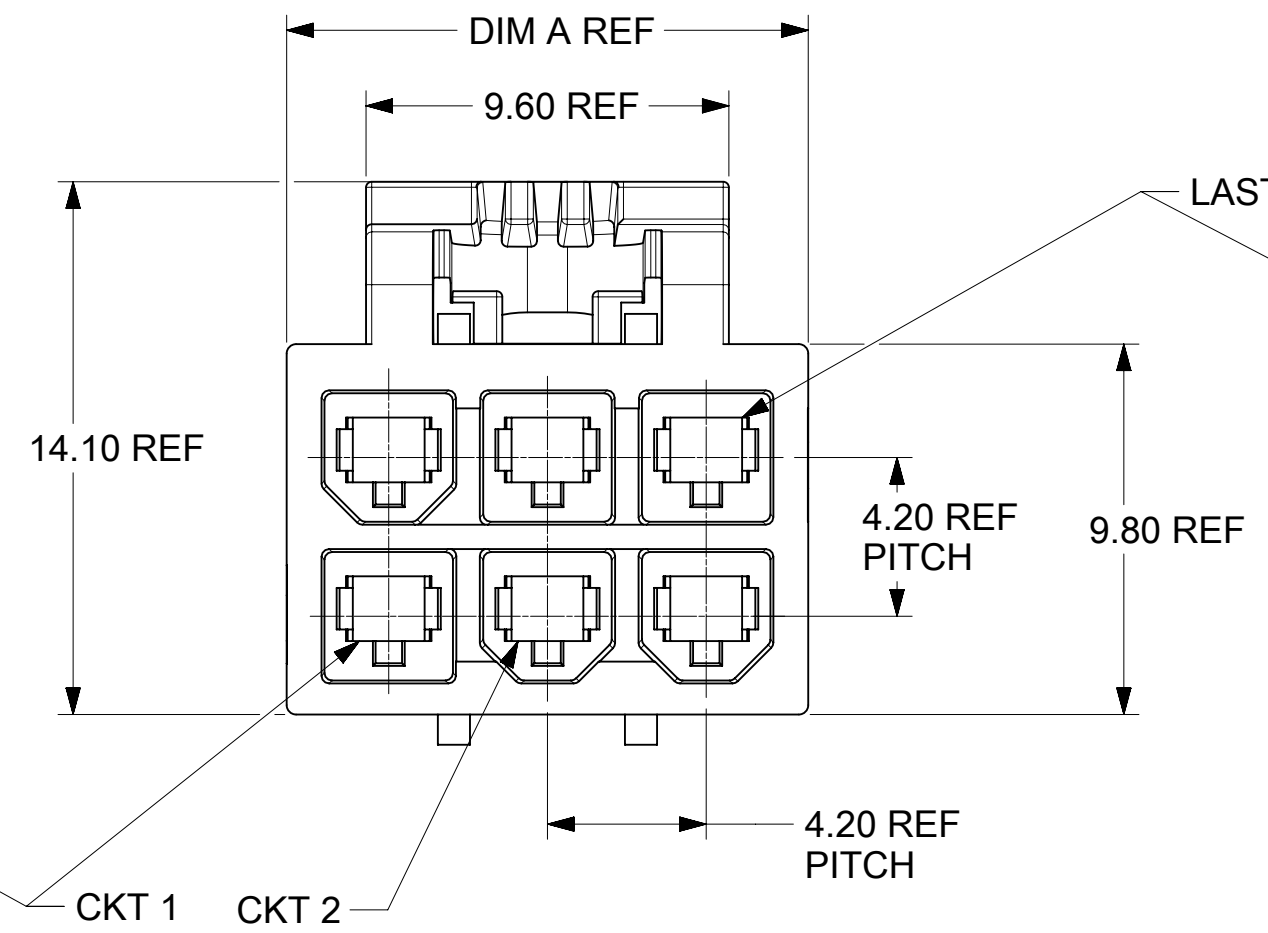
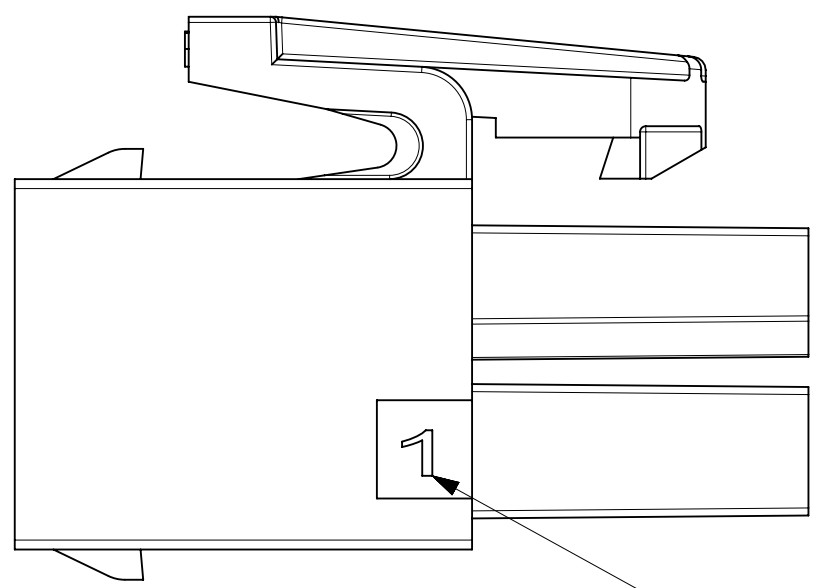
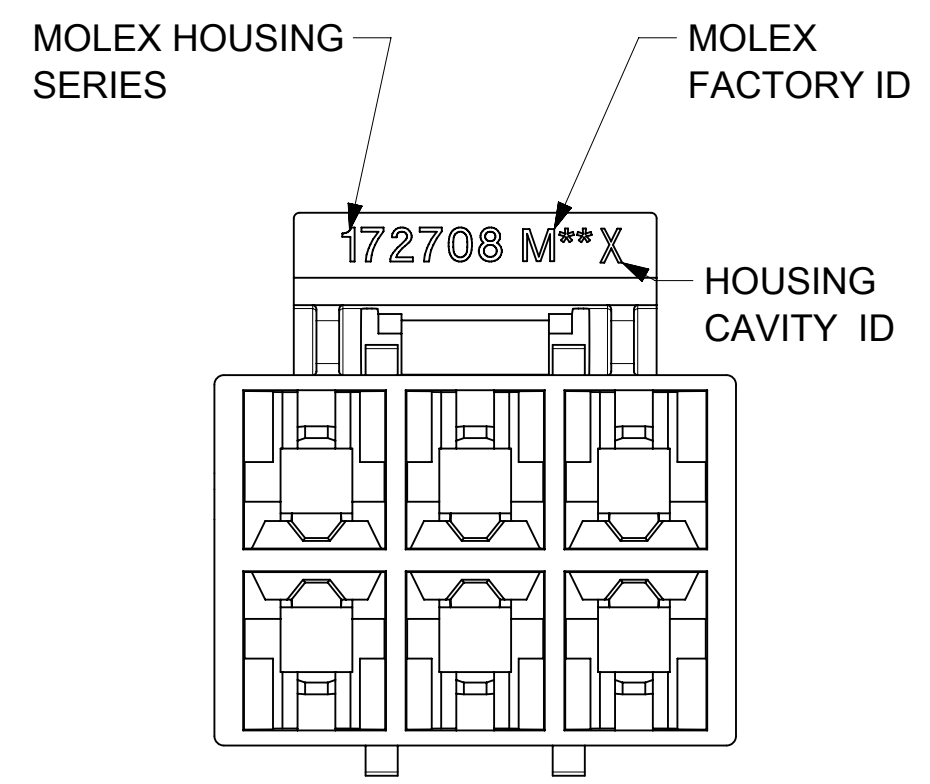
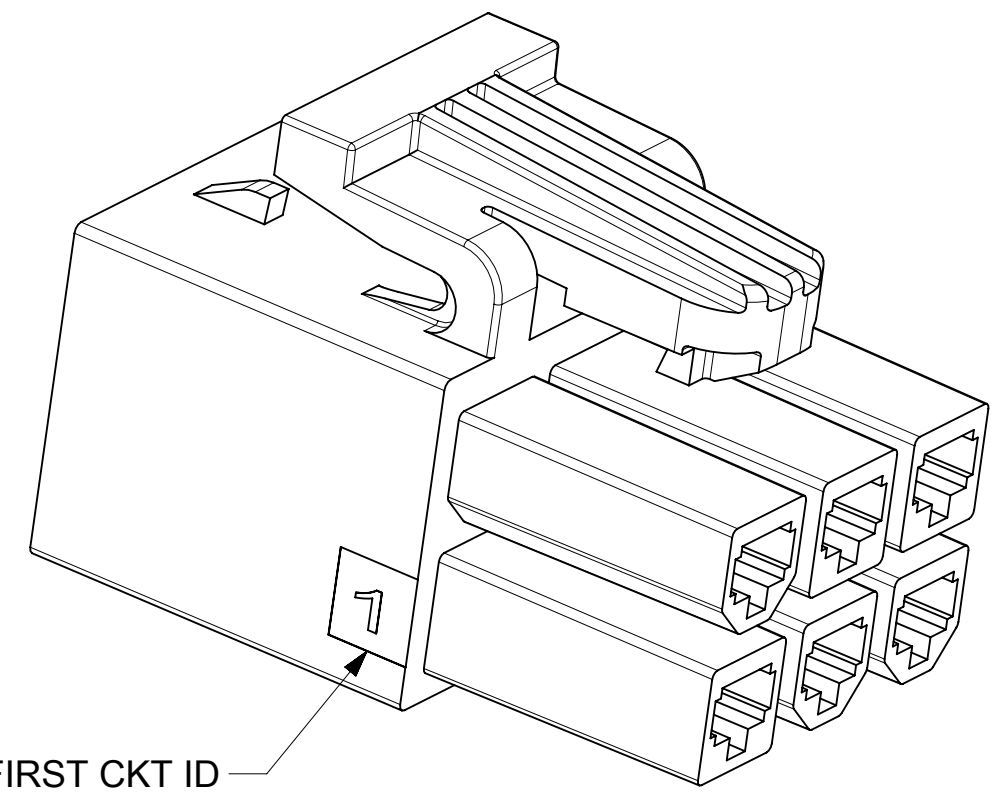
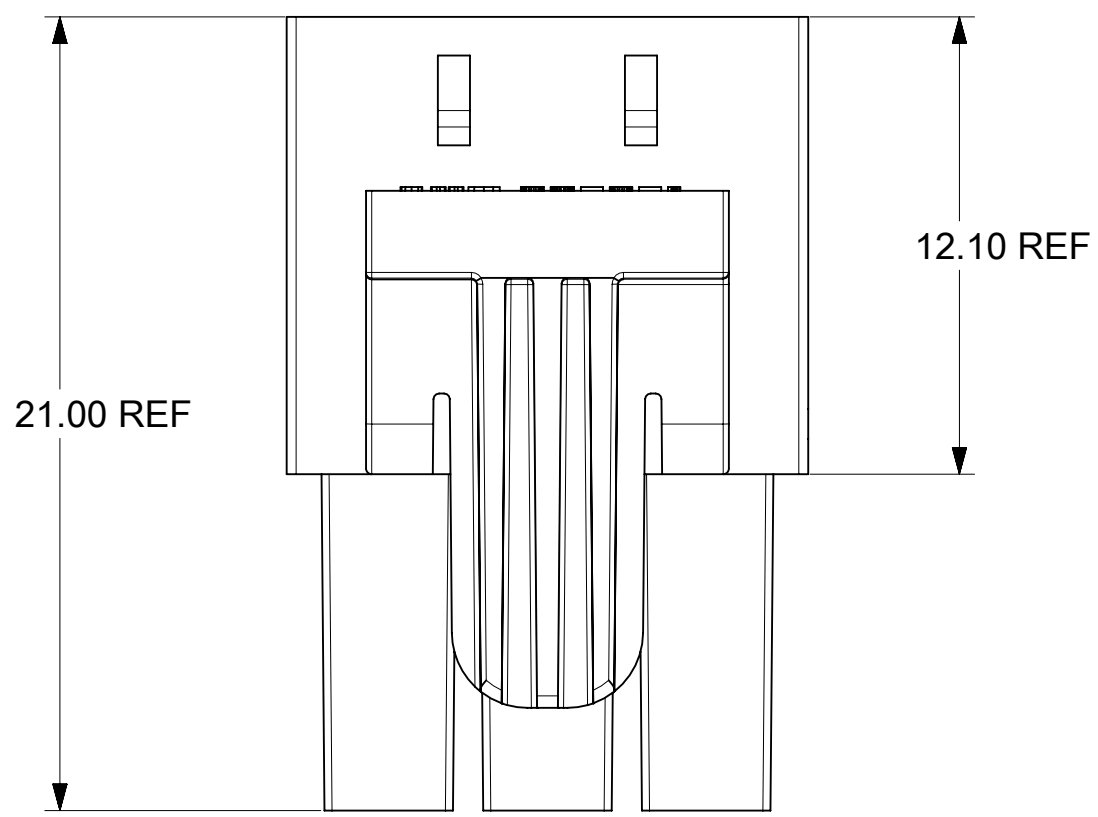
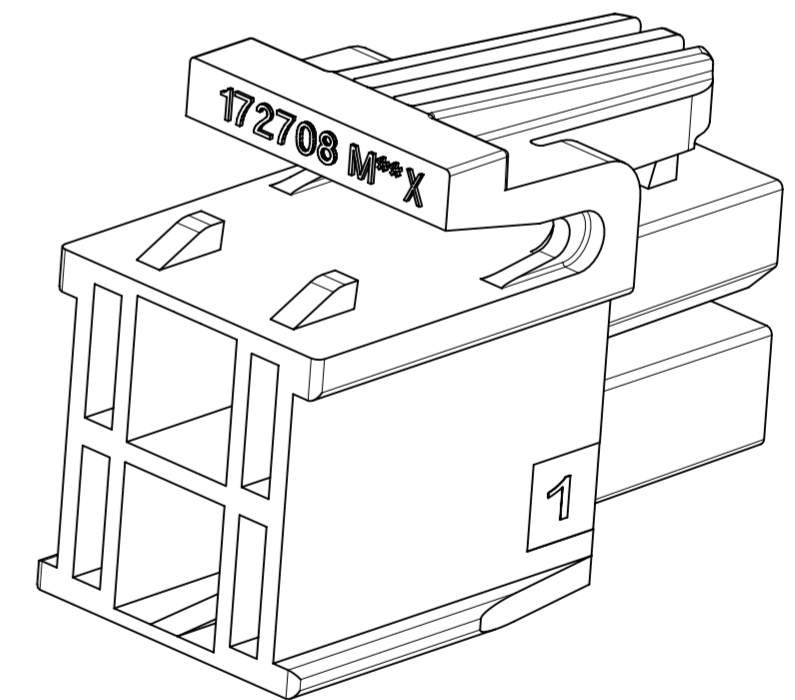
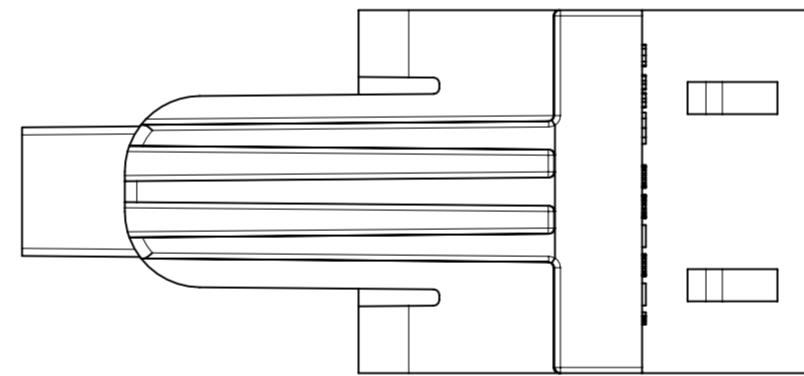
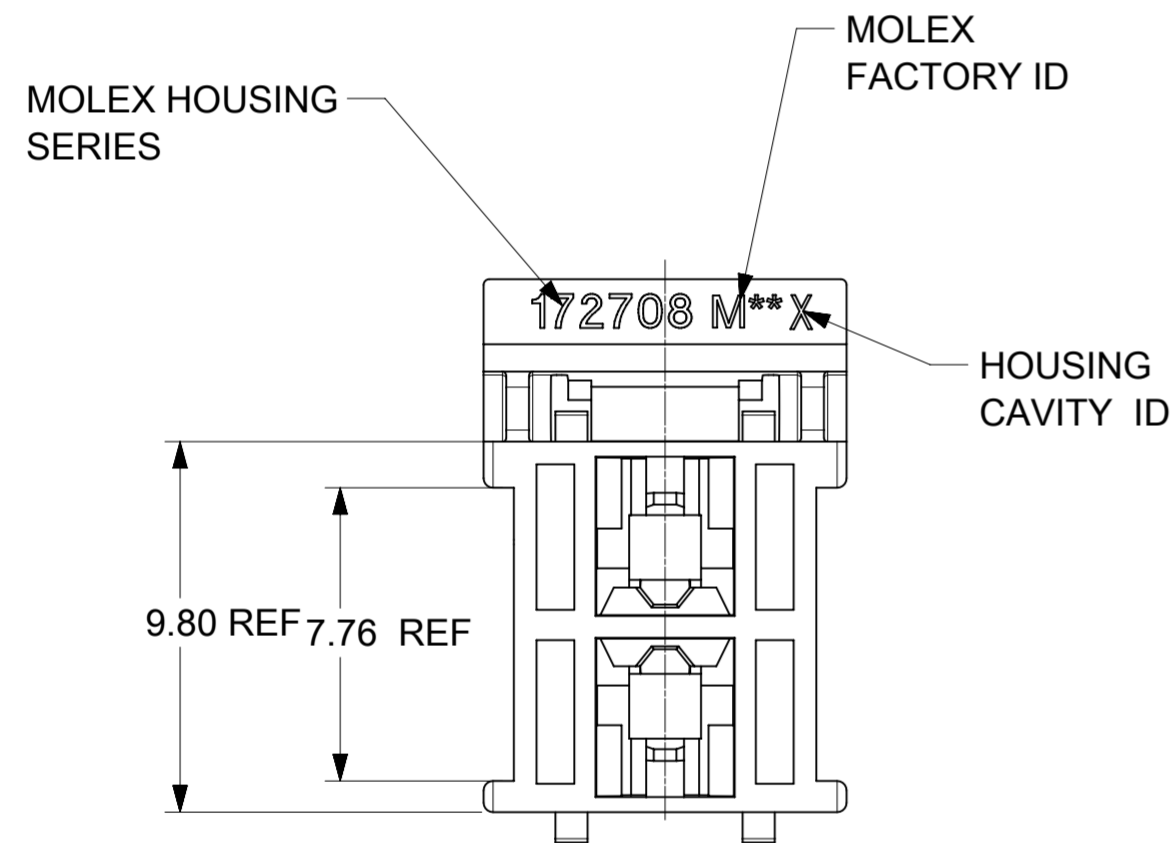
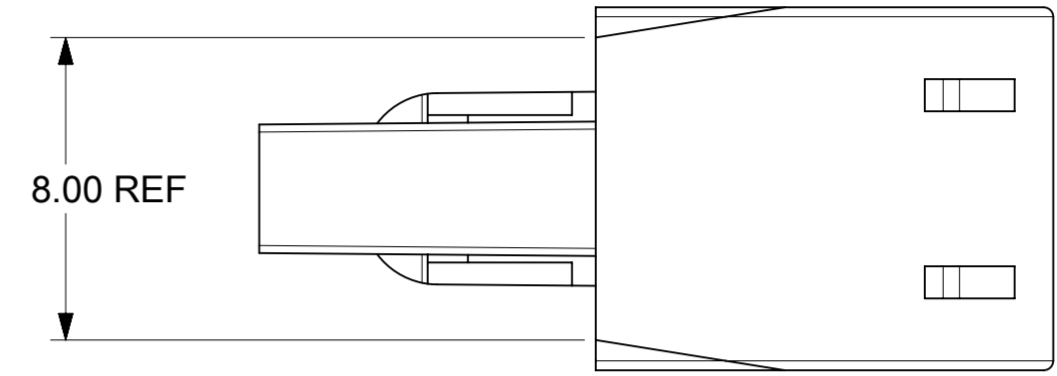
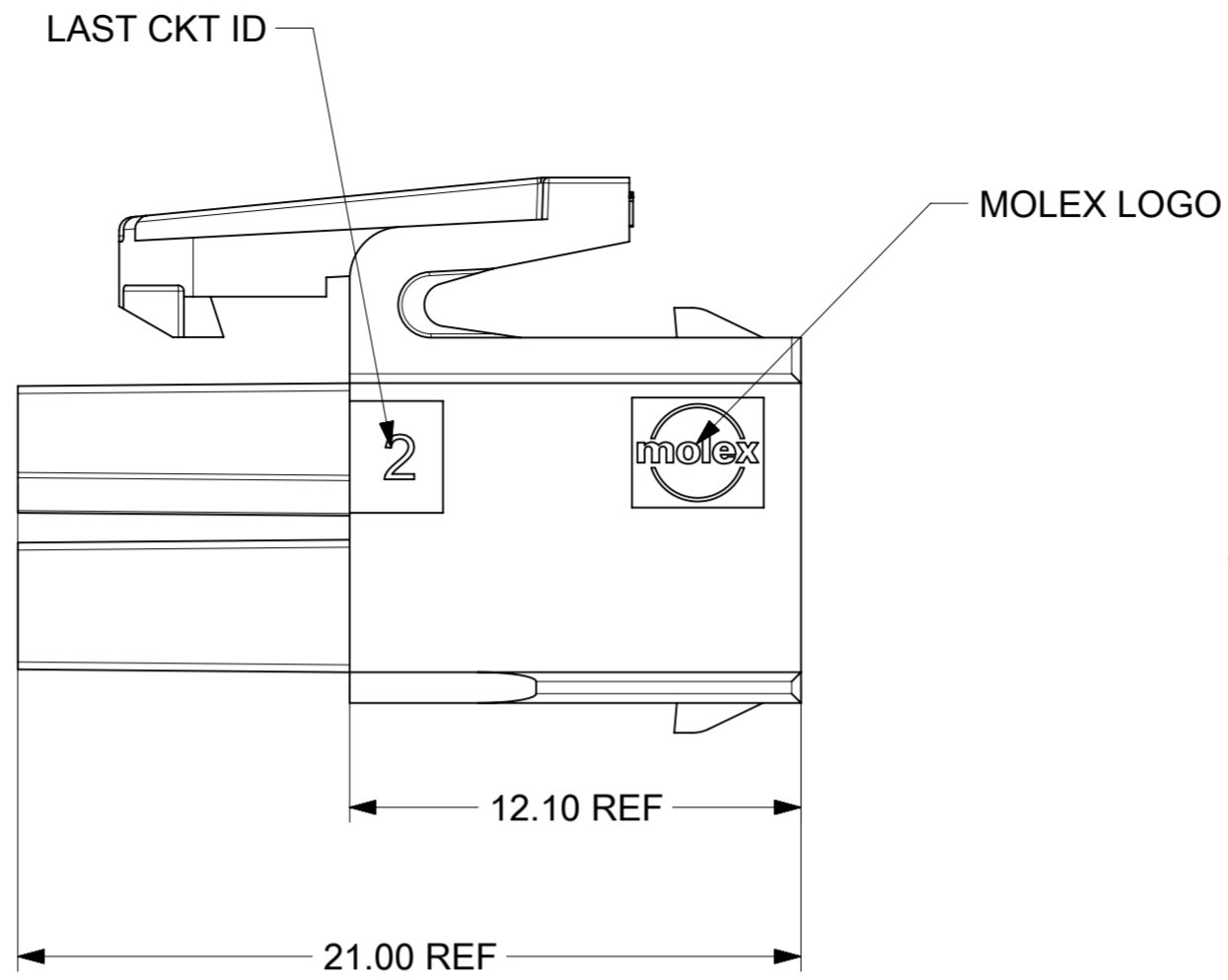
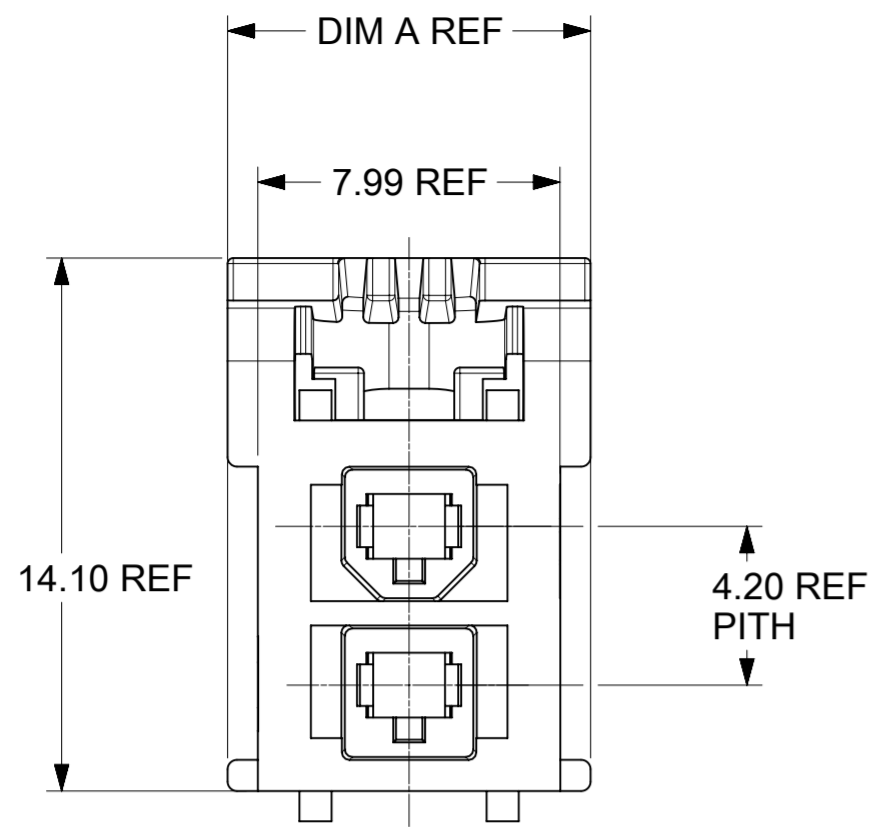


PART NUMBER	CKTS	DIM A
172708-1002	2	9.60
172708-1004	4	9.60
172708-1006	6	13.80
172708-1008	8	18.00
172708-1010	10	22.20
172708-1012	12	26.40
172708-1014	14	30.60
172708-1016	16	34.80
172708-1018	18	39.00



- NOTES:**
- MATERIAL: NYLON, UL 94V-0 AND GLOW WIRE CAPABLE PER IEC60335-1; COLOR: BLACK
 - FINISH: NONE
 - PRODUCT SPECIFICATION: 2131370000-PS, 2029880002-PS
APPLICATION SPECIFICATION: 2131370000-AS
 - PACKAGING SPECIFICATION: BULK 1727080002-PK
REFER TO AS-45499-001 FOR MOISTURIZING NYLON CONNECTOR PARTS.
 - THIS PART TO BE USED WITH MOLEX SERIES.
FEMALE TERMINAL SERIES: 172718, 202988
TPA SERIES: 172709-2***.
 - THIS PART MATES WITH MOLEX SERIES.
PLUG HOUSING SERIES: 172762-0***, 172762-1***, 172767, 45776.
HDR SERIES: 35318, 44130, 87427, 172448, 46991, 5569, 5566, 35317, 43460, 87427, 172447 AND 46207.
 - THIS PART CONFORMS TO CLASS 'B' REQUIREMENTS OF COSMETIC SPECIFICATION PS-45499-002.

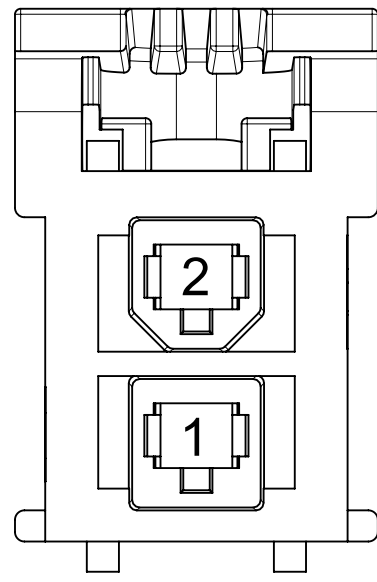
THIS DRAWING CONTAINS INFORMATION THAT IS PROPRIETARY TO MOLEX ELECTRONIC TECHNOLOGIES, LLC AND SHOULD NOT BE USED WITHOUT WRITTEN PERMISSION										
DIMENSION UNITS	SCALE	CURRENT REV DESC:								
mm	NTS									
GENERAL TOLERANCES (UNLESS SPECIFIED)		EC NO: 793650			SD-DRAWING OF MINI-FIT SIGMA REC HOUSING					
ANGULAR TOL	± °	DRWN: JERRYW8 2024/07/30								
4 PLACES	±	CHK'D: XQZHANG 2024/07/30			PRODUCT CUSTOMER DRAWING					
3 PLACES	±	APPR: XQZHANG 2024/07/30								
2 PLACES	± 0.25	INITIAL REVISION:			DOCUMENT NUMBER					
1 PLACE	±	DRWN: ALUO02 2019/06/20								1727080002-SD
0 PLACES	±	APPR: AYIN 2019/06/24			DOC TYPE					
DRAFT WHERE APPLICABLE MUST REMAIN WITHIN DIMENSIONS		THIRD ANGLE PROJECTION		DRAWING						SERIES
				C-SIZE		172708		PSD		000
								GENERAL MARKET		C7
								SHEET NUMBER		1 OF 4



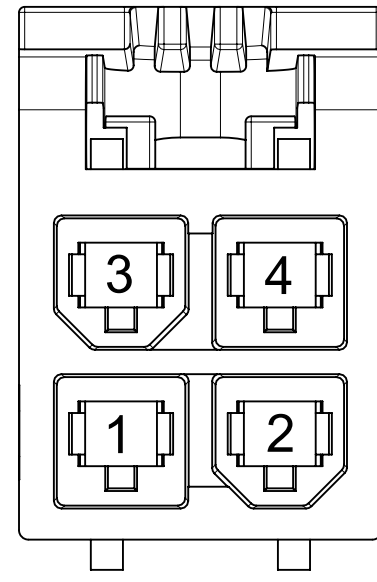
THIS DRAWING CONTAINS INFORMATION THAT IS PROPRIETARY TO MOLEX ELECTRONIC TECHNOLOGIES, LLC AND SHOULD NOT BE USED WITHOUT WRITTEN PERMISSION										
DIMENSION UNITS	SCALE	CURRENT REV DESC:				molex				
mm	NTS									
GENERAL TOLERANCES (UNLESS SPECIFIED)						SD-DRAWING OF MINI-FIT SIGMA REC HOUSING				
ANGULAR TOL	± °					PRODUCT CUSTOMER DRAWING				
4 PLACES	±	EC NO: 793650		2024/07/30		DOCUMENT NUMBER				
3 PLACES	±	DRWN: JERRYW8		2024/07/30		1727080002-SD		DOC TYPE	DOC PART	REVISION
2 PLACES	± 0.25	CHK'D: XQZHANG		2024/07/30				PSD	000	C7
1 PLACE	±	APPR: XQZHANG		2024/07/30				SHEET NUMBER		
0 PLACES	±	INITIAL REVISION:						2 OF 4		
DRAFT WHERE APPLICABLE MUST REMAIN WITHIN DIMENSIONS		THIRD ANGLE PROJECTION		DRAWING	SERIES	MATERIAL NUMBER	CUSTOMER			
				A2-SIZE	172708	SEE TABLE	GENERAL MARKET			

DOCUMENT STATUS	P1	RELEASE DATE	2024/07/30	08:09:55
-----------------	----	--------------	------------	----------

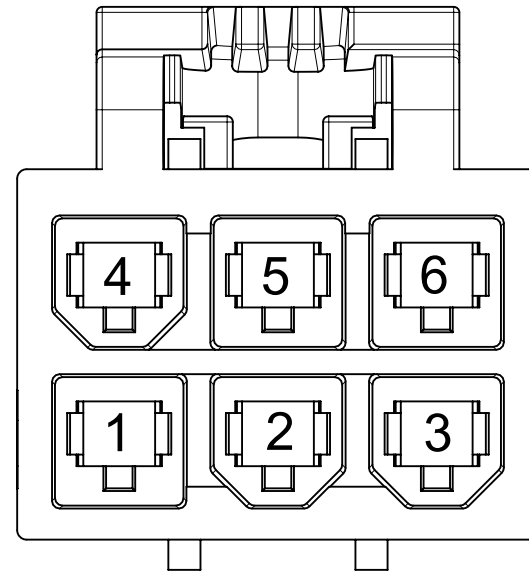
POLARIZATION DETAIL



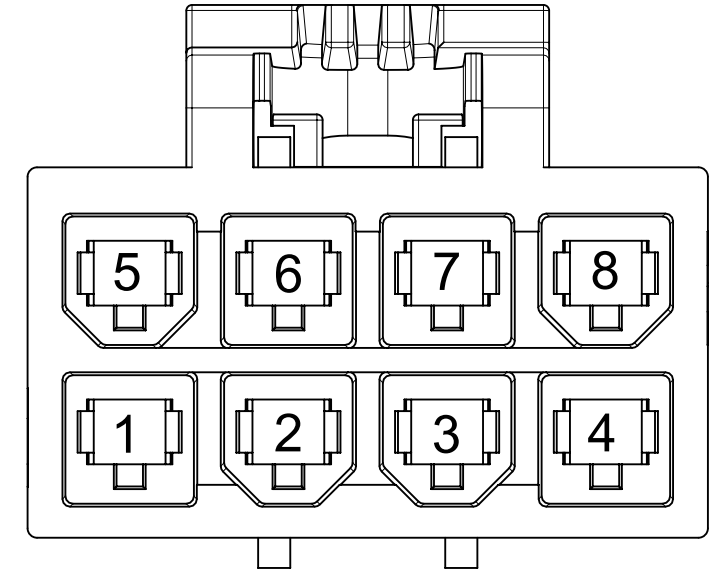
2 CKT



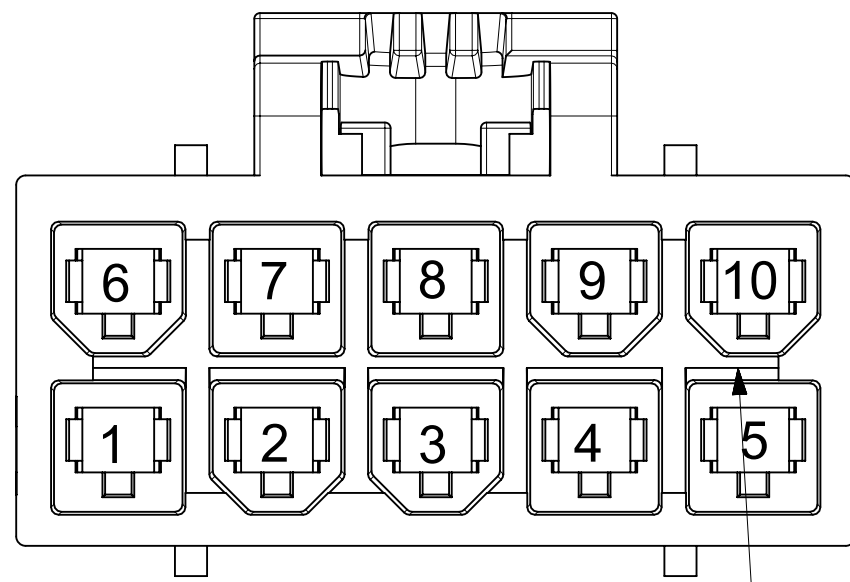
4 CKT



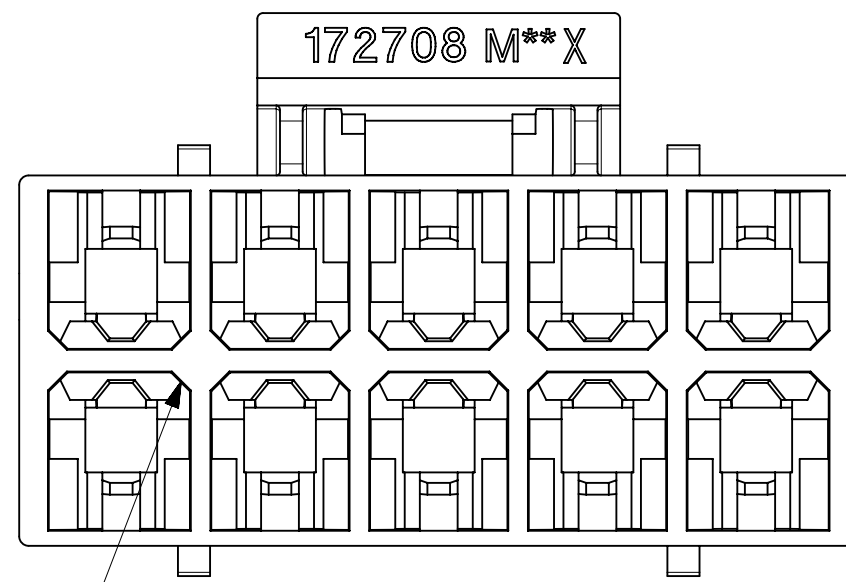
6 CKT



8 CKT

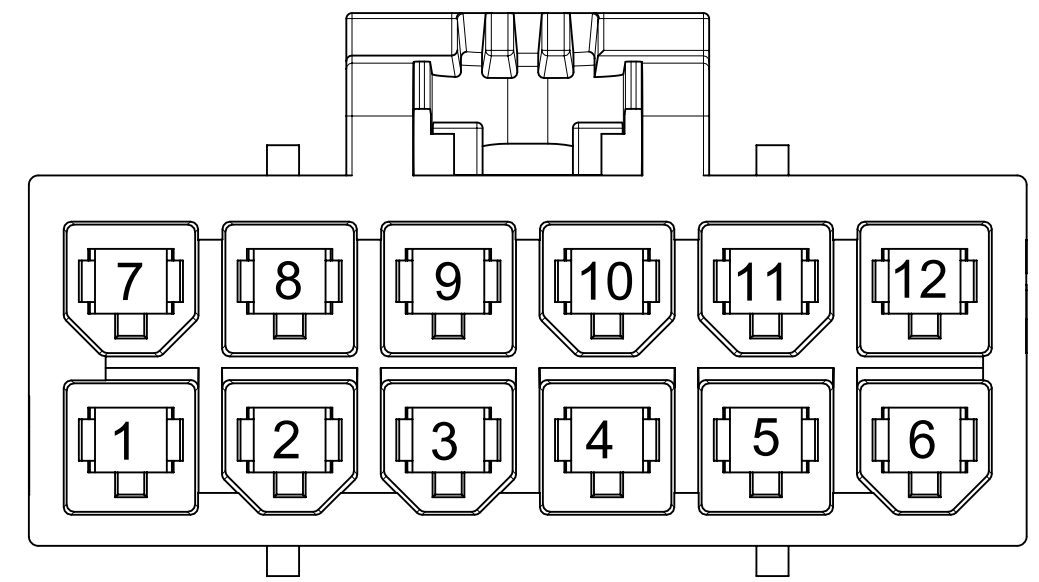


10 CKT



CHAMFER FOR 10-18CKT ONLY

CORE OUT FETURE AT THE BASE OF TOWERS FOR 10-14 CKTS DIFFERS FROM 2-8CKTS

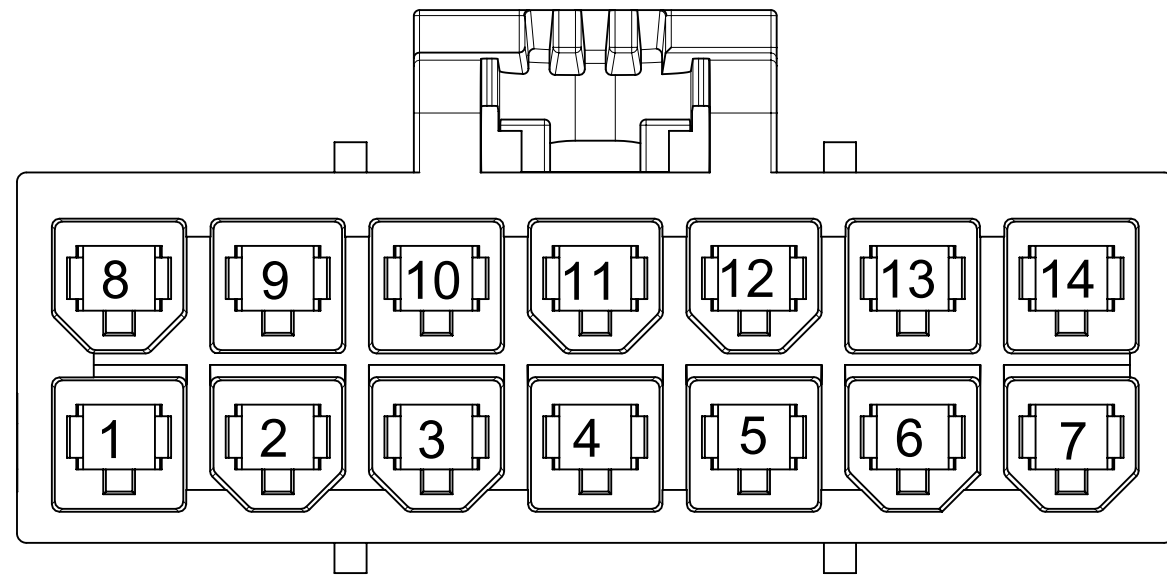


12 CKT

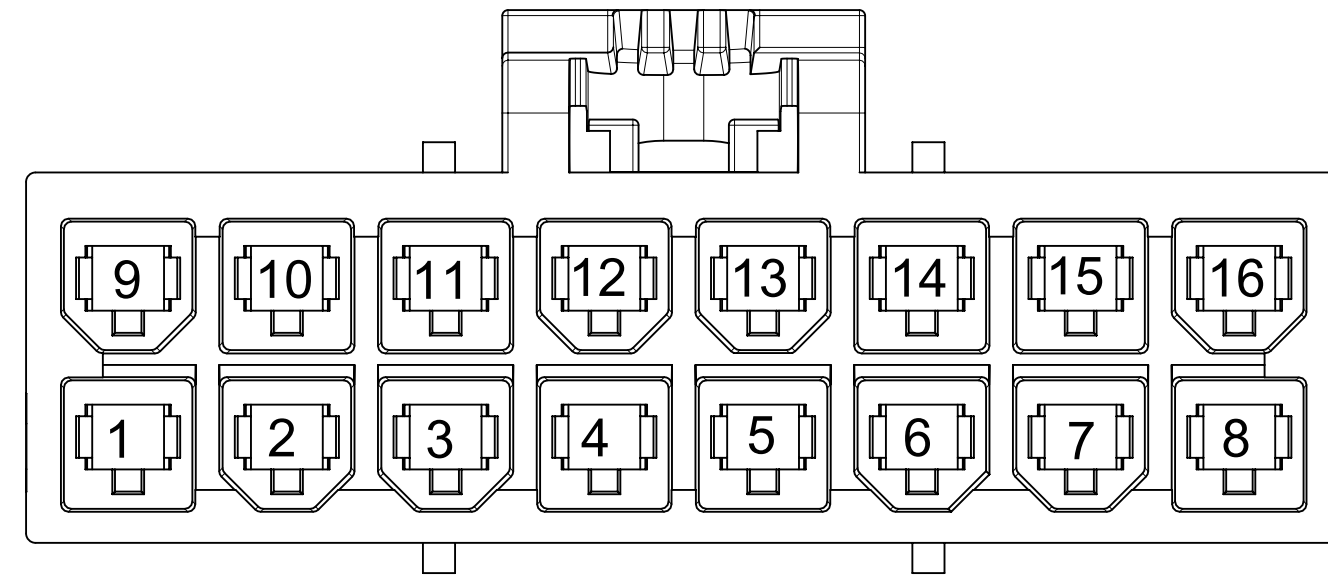
172708 M**X

THIS DRAWING CONTAINS INFORMATION THAT IS PROPRIETARY TO MOLEX ELECTRONIC TECHNOLOGIES, LLC AND SHOULD NOT BE USED WITHOUT WRITTEN PERMISSION											
DIMENSION UNITS		SCALE		CURRENT REV DESC:						molex	
mm		NTS									
GENERAL TOLERANCES (UNLESS SPECIFIED)				EC NO: 793650						SD-DRAWING OF MINI-FIT SIGMA REC HOUSING	
ANGULAR TOL ± °				DRWN: JERRYW8 2024/07/30						PRODUCT CUSTOMER DRAWING	
4 PLACES ±				CHK'D: XQZHANG 2024/07/30						DOCUMENT NUMBER	
3 PLACES ±				APPR: XQZHANG 2024/07/30						DOC TYPE	
2 PLACES ± 0.25				INITIAL REVISION:						DOC PART	
1 PLACE ±				DRWN: ALUO02 2019/06/20						REVISION	
0 PLACES ±				APPR: AYIN 2019/06/24						1727080002-SD	
DRAFT WHERE APPLICABLE MUST REMAIN WITHIN DIMENSIONS				THIRD ANGLE PROJECTION		DRAWING		SERIES		MATERIAL NUMBER	
				C-SIZE		172708		CUSTOMER		SHEET NUMBER	
								GENERAL MARKET		3 OF 4	

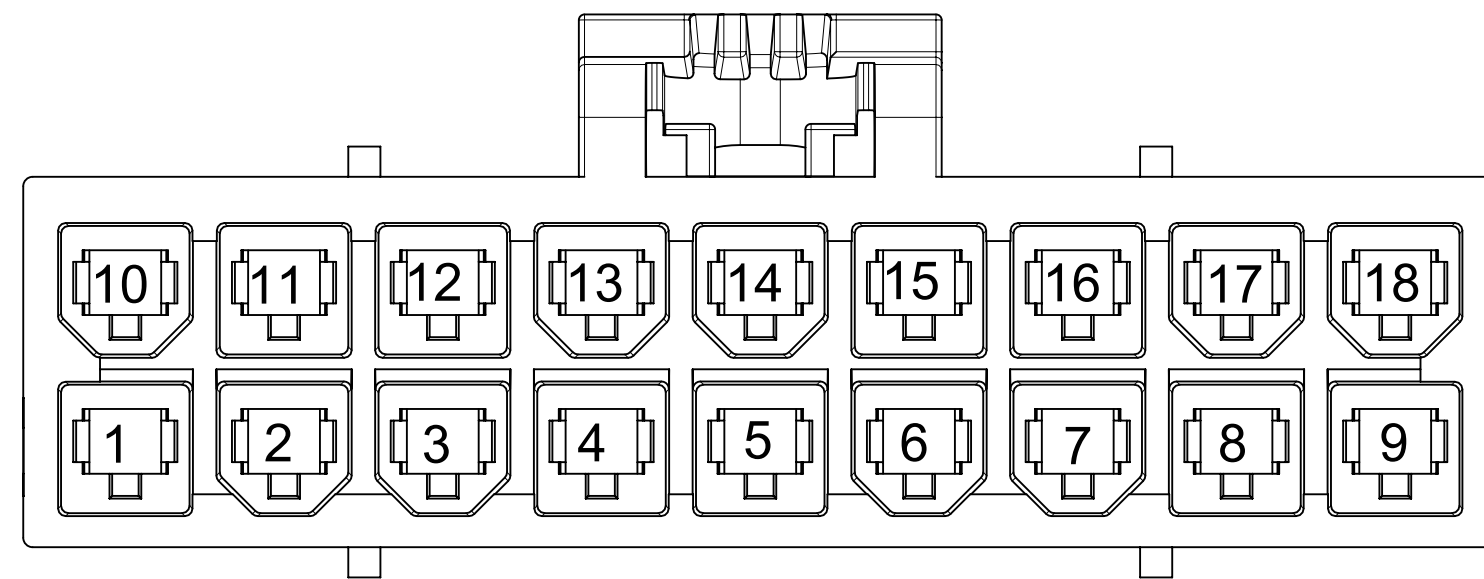
POLARIZATION DETAIL




14 CKT



16 CKT



18 CKT

THIS DRAWING CONTAINS INFORMATION THAT IS PROPRIETARY TO MOLEX ELECTRONIC TECHNOLOGIES, LLC AND SHOULD NOT BE USED WITHOUT WRITTEN PERMISSION													
DIMENSION UNITS		SCALE		CURRENT REV DESC:									
mm		NTS											
GENERAL TOLERANCES (UNLESS SPECIFIED)				EC NO: 793650 DRWN: JERRYW8 2024/07/30 CHK'D: XQZHANG 2024/07/30 APPR: XQZHANG 2024/07/30 INITIAL REVISION: DRWN: ALUO02 2019/06/20 APPR: AYIN 2019/06/24				SD-DRAWING OF MINI-FIT SIGMA REC HOUSING					
ANGULAR TOL		± °						PRODUCT CUSTOMER DRAWING					
4 PLACES		±						DOCUMENT NUMBER		DOC TYPE		DOC PART	
3 PLACES		±						1727080002-SD		PSD		000 C7	
2 PLACES		± 0.25						MATERIAL NUMBER		CUSTOMER		SHEET NUMBER	
1 PLACE		±		SEE TABLE		GENERAL MARKET		4 OF 4					
0 PLACES		±		DRAFT WHERE APPLICABLE MUST REMAIN WITHIN DIMENSIONS		THIRD ANGLE PROJECTION		DRAWING C-SIZE					
				SERIES 172708									