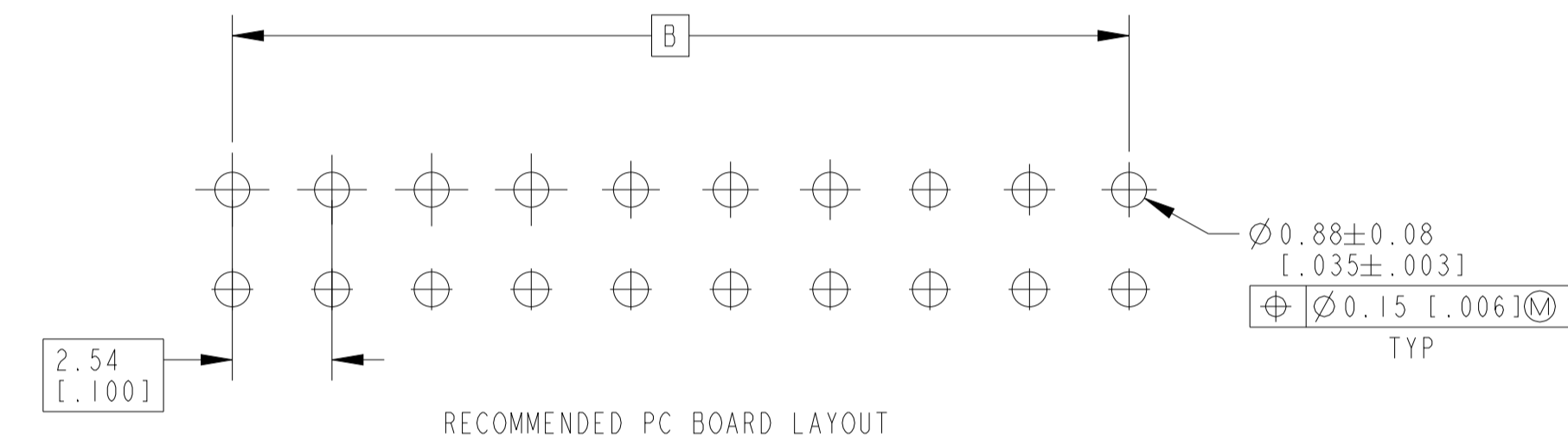
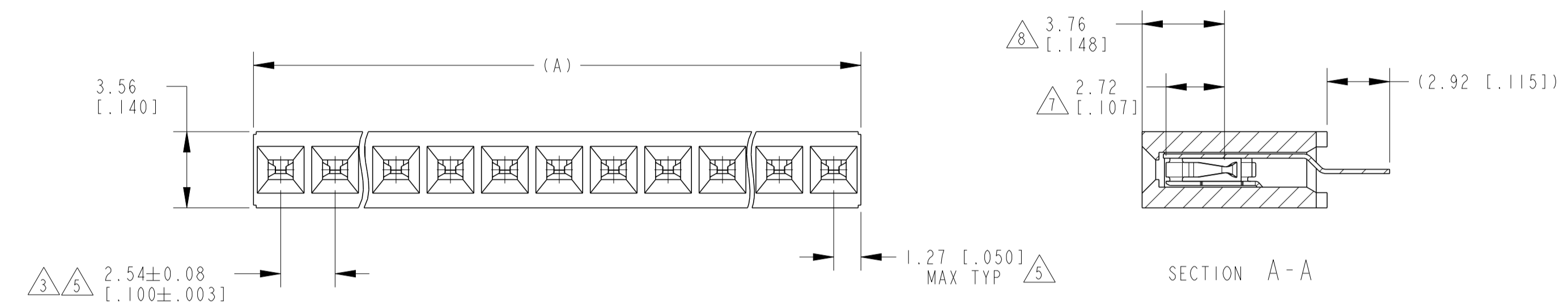
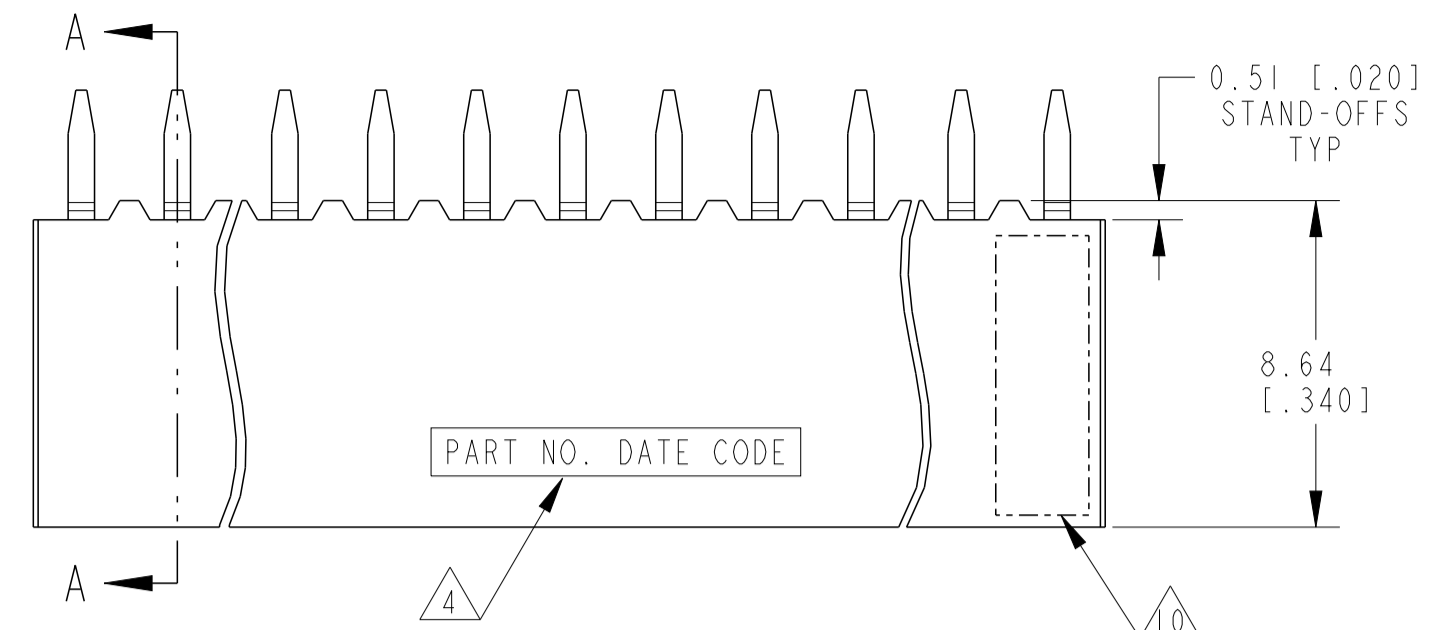


REVISIONS				
P	LTN	DESCRIPTION	DATE	OWN APVD
S		RESIN SUPPLIER CHANGE FOR THE HOUSING	03DEC2021	SCB KJK
T		WIDTH OF STANDOFF FEATURE IS INCREASED TO 0.71 (0.028)	18FEB2025	RS GVP



- 1 HOUSING: FLAME RETARDANT, GLASS FILLED, THERMOPLASTIC, COLOR: BLACK. CONTACT: PHOSPHOR BRONZE
- 2 CONTACT: DUPLEX PLATED 0.00076[0.00030] MIN GOLD IN CONTACT AREA, 0.00381-0.00762[0.00150 - .000300] BRIGHT TIN-LEAD ON LEADS, ALL OVER 0.00127[0.00050] MIN NICKEL.
- 3 THESE DIMENSIONS PERTAIN TO CAVITY CENTERLINES ONLY - NOT TO CONTACT LOCATIONS
- 4 PART NUMBER AND DATE CODE ARE MARKED IN APPROXIMATE LOCATION SHOWN, EITHER SIDE.
- 5 TOLERANCE IS NON-CUMULATIVE.
- 6 2 POSITION DATE CODE IS MARKED OPPOSITE SIDE OF TE CONNECTIVITY LOGO.
- 7 POINT-OF-MEASUREMENT DIMENSION FOR PLATING THICKNESS (INSIDE CONTACT BEAM).
- 8 POINT-OF-CONTACT DIMENSION.
- 9 NO PART NUMBER MARKING REQUIRED FOR THIS PART.
- 10 TE CONNECTIVITY LOGO AND CSA LOGO ARE MOLDED INTO HOUSING, THIS LOCATION.
- 11 CONTACT: DUPLEX PLATED 0.00076[0.00030] MIN GOLD IN CONTACT AREA, 0.00381-0.00762[0.00150 - .000300] MATTE TIN ON LEADS, ALL OVER 0.00127[0.00050] MIN NICKEL
- 12 ROHS 2002/95/EC COMPLIANT

FINISH	B	A	NO OF POSN	PART NUMBER		
6	9	OBSELETE	2.54 [0.100]	5.08 [0.200]	2	8-534237-9
1	1	99.06 [3.900]	101.60 [4.000]	40	8-534237-8	
1	1	96.52 [3.800]	99.06 [3.900]	39	8-534237-7	
1	1	93.98 [3.700]	96.52 [3.800]	38	8-534237-6	
1	1	91.44 [3.600]	93.98 [3.700]	37	8-534237-5	
1	1	88.90 [3.500]	91.44 [3.600]	36	8-534237-4	
1	1	86.36 [3.400]	88.90 [3.500]	35	8-534237-3	
1	1	83.82 [3.300]	86.36 [3.400]	34	8-534237-2	
1	1	81.28 [3.200]	83.82 [3.300]	33	8-534237-1	
1	1	78.74 [3.100]	81.28 [3.200]	32	8-534237-0	
1	1	76.20 [3.000]	78.74 [3.100]	31	7-534237-9	
1	1	73.66 [2.900]	76.20 [3.000]	30	7-534237-8	
1	1	71.12 [2.800]	73.66 [2.900]	29	7-534237-7	
1	1	68.58 [2.700]	71.12 [2.800]	28	7-534237-6	
1	1	66.04 [2.600]	68.58 [2.700]	27	7-534237-5	
1	1	63.50 [2.500]	66.04 [2.600]	26	7-534237-4	
1	1	60.96 [2.400]	63.50 [2.500]	25	7-534237-3	
1	1	58.42 [2.300]	60.96 [2.400]	24	7-534237-2	
1	1	55.88 [2.200]	58.42 [2.300]	23	7-534237-1	
1	1	53.34 [2.100]	55.88 [2.200]	22	7-534237-0	
1	1	50.80 [2.000]	53.34 [2.100]	21	6-534237-9	
1	1	48.26 [1.900]	50.80 [2.000]	20	6-534237-8	
1	1	45.72 [1.800]	48.26 [1.900]	19	6-534237-7	
1	1	43.18 [1.700]	45.72 [1.800]	18	6-534237-6	
1	1	40.64 [1.600]	43.18 [1.700]	17	6-534237-5	
1	1	38.10 [1.500]	40.64 [1.600]	16	6-534237-4	
1	1	35.56 [1.400]	38.10 [1.500]	15	6-534237-3	
1	1	33.02 [1.300]	35.56 [1.400]	14	6-534237-2	
1	1	30.48 [1.200]	33.02 [1.300]	13	6-534237-1	
1	1	27.94 [1.100]	30.48 [1.200]	12	6-534237-0	
1	1	25.40 [1.000]	27.94 [1.100]	11	5-534237-9	
1	1	22.86 [0.900]	25.40 [1.000]	10	5-534237-8	
1	1	20.32 [0.800]	22.86 [0.900]	9	5-534237-7	
1	1	17.78 [0.700]	20.32 [0.800]	8	5-534237-6	
1	1	15.24 [0.600]	17.78 [0.700]	7	5-534237-5	
1	1	12.70 [0.500]	15.24 [0.600]	6	5-534237-4	
1	1	10.16 [0.400]	12.70 [0.500]	5	5-534237-3	
1	1	7.62 [0.300]	10.16 [0.400]	4	5-534237-2	
1	1	5.08 [0.200]	7.62 [0.300]	3	5-534237-1	

FINISH	B	A	NO OF POSN	PART NUMBER		
6	9	OBSELETE	2.54 [0.100]	5.08 [0.200]	2	3-534237-9
1	1	99.06 [3.900]	101.60 [4.000]	40	3-534237-8	
1	1	96.52 [3.800]	99.06 [3.900]	39	3-534237-7	
1	1	93.98 [3.700]	96.52 [3.800]	38	3-534237-6	
1	1	91.44 [3.600]	93.98 [3.700]	37	3-534237-5	
1	1	88.90 [3.500]	91.44 [3.600]	36	3-534237-4	
1	1	86.36 [3.400]	88.90 [3.500]	35	3-534237-3	
1	1	83.82 [3.300]	86.36 [3.400]	34	3-534237-2	
1	1	81.28 [3.200]	83.82 [3.300]	33	3-534237-1	
1	1	78.74 [3.100]	81.28 [3.200]	32	3-534237-0	
1	1	76.20 [3.000]	78.74 [3.100]	31	2-534237-9	
1	1	73.66 [2.900]	76.20 [3.000]	30	2-534237-8	
1	1	71.12 [2.800]	73.66 [2.900]	29	2-534237-7	
1	1	68.58 [2.700]	71.12 [2.800]	28	2-534237-6	
1	1	66.04 [2.600]	68.58 [2.700]	27	2-534237-5	
1	1	63.50 [2.500]	66.04 [2.600]	26	2-534237-4	
1	1	60.96 [2.400]	63.50 [2.500]	25	2-534237-3	
1	1	58.42 [2.300]	60.96 [2.400]	24	2-534237-2	
1	1	55.88 [2.200]	58.42 [2.300]	23	2-534237-1	
1	1	53.34 [2.100]	55.88 [2.200]	22	2-534237-0	
1	1	50.80 [2.000]	53.34 [2.100]	21	1-534237-9	
1	1	48.26 [1.900]	50.80 [2.000]	20	1-534237-8	
1	1	45.72 [1.800]	48.26 [1.900]	19	1-534237-7	
1	1	43.18 [1.700]	45.72 [1.800]	18	1-534237-6	
1	1	40.64 [1.600]	43.18 [1.700]	17	1-534237-5	
1	1	38.10 [1.500]	40.64 [1.600]	16	1-534237-4	
1	1	35.56 [1.400]	38.10 [1.500]	15	1-534237-3	
1	1	33.02 [1.300]	35.56 [1.400]	14	1-534237-2	
1	1	30.48 [1.200]	33.02 [1.300]	13	1-534237-1	
1	1	27.94 [1.100]	30.48 [1.200]	12	1-534237-0	
1	1	25.40 [1.000]	27.94 [1.100]	11	534237-9	
1	1	22.86 [0.900]	25.40 [1.000]	10	534237-8	
1	1	20.32 [0.800]	22.86 [0.900]	9	534237-7	
1	1	17.78 [0.700]	20.32 [0.800]	8	534237-6	
1	1	15.24 [0.600]	17.78 [0.700]	7	534237-5	
1	1	12.70 [0.500]	15.24 [0.600]	6	534237-4	
1	1	10.16 [0.400]	12.70 [0.500]	5	534237-3	
1	1	7.62 [0.300]	10.16 [0.400]	4	534237-2	
1	1	5.08 [0.200]	7.62 [0.300]	3	534237-1	

THIS DRAWING IS A CONTROLLED DOCUMENT. DIMENSIONS: mm [INCHES]. TOLERANCES UNLESS OTHERWISE SPECIFIED: 0 PLC ±, 1 PLC ±, 2 PLC ±, 3 PLC ±, 4 PLC ±, ANGLES ±.

TE Connectivity  
 REPT. ASSY, MOD IV, SINGLE ROW, 100CL, VERTICAL BOARD MOUNT, CLOSED, TOP ENTRY, SHORT PNT. OF CONTACT

00779 534237

SCALE 5:1 SHEET 1 OF 1 REV T