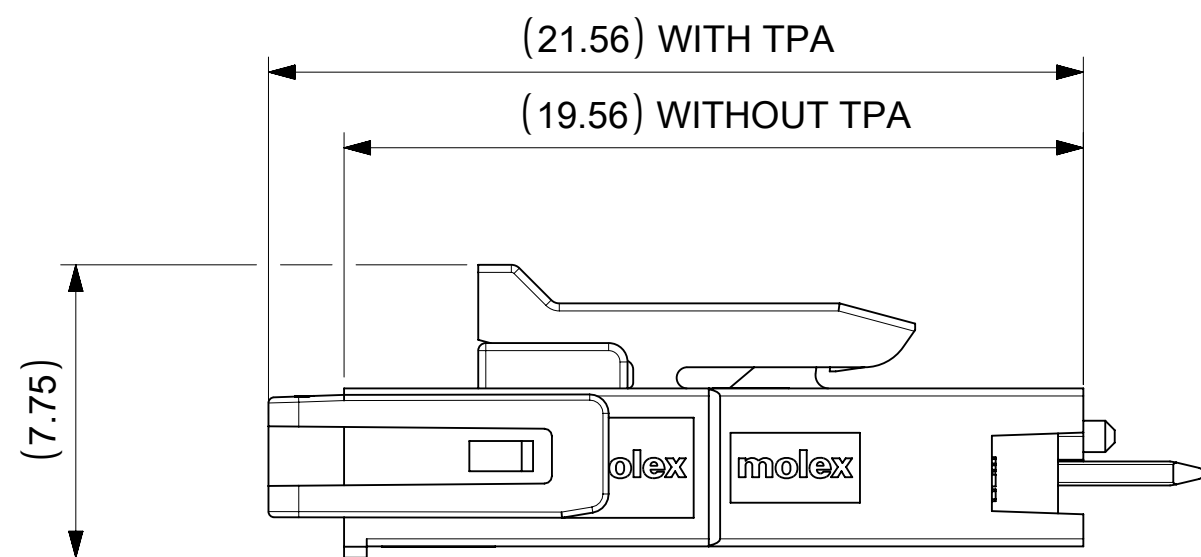




TIN PLATING				15 MICROINCH GOLD				30 MICROINCH GOLD				
CIRCUIT	PART NUMBER	POLARIZATION	COLOR	CIRCUIT	PART NUMBER	POLARIZATION	COLOR	CIRCUIT	PART NUMBER	POLARIZATION	COLOR	
H	2	2165711002	A	BLACK	2	2165712002	A	BLACK	2	2165713002	A	BLACK
		2165711012	B	NATURAL		2165712012	B	NATURAL		2165713012	B	NATURAL
		2165711022	C	RED		2165712022	C	RED		2165713022	C	RED
		2165711032	D	BLUE		2165712032	D	BLUE		2165713032	D	BLUE
		2165711042	E	YELLOW		2165712042	E	YELLOW		2165713042	E	YELLOW
G	3	2165711003	A	BLACK	3	2165712003	A	BLACK	3	2165713003	A	BLACK
		2165711013	B	NATURAL		2165712013	B	NATURAL		2165713013	B	NATURAL
		2165711023	C	RED		2165712023	C	RED		2165713023	C	RED
		2165711033	D	BLUE		2165712033	D	BLUE		2165713033	D	BLUE
		2165711043	E	YELLOW		2165712043	E	YELLOW		2165713043	E	YELLOW
G	4	2165711004	A	BLACK	4	2165712004	A	BLACK	4	2165713004	A	BLACK
		2165711014	B	NATURAL		2165712014	B	NATURAL		2165713014	B	NATURAL
		2165711024	C	RED		2165712024	C	RED		2165713024	C	RED
		2165711034	D	BLUE		2165712034	D	BLUE		2165713034	D	BLUE
		2165711044	E	YELLOW		2165712044	E	YELLOW		2165713044	E	YELLOW
F	5	2165711005	A	BLACK	5	2165712005	A	BLACK	5	2165713005	A	BLACK
		2165711015	B	NATURAL		2165712015	B	NATURAL		2165713015	B	NATURAL
		2165711025	C	RED		2165712025	C	RED		2165713025	C	RED
		2165711035	D	BLUE		2165712035	D	BLUE		2165713035	D	BLUE
		2165711045	E	YELLOW		2165712045	E	YELLOW		2165713045	E	YELLOW
E	6	2165711006	A	BLACK	6	2165712006	A	BLACK	6	2165713006	A	BLACK
		2165711016	B	NATURAL		2165712016	B	NATURAL		2165713016	B	NATURAL
		2165711026	C	RED		2165712026	C	RED		2165713026	C	RED
		2165711036	D	BLUE		2165712036	D	BLUE		2165713036	D	BLUE
		2165711046	E	YELLOW		2165712046	E	YELLOW		2165713046	E	YELLOW
E	7	2165711007	A	BLACK	7	2165712007	A	BLACK	7	2165713007	A	BLACK
		2165711017	B	NATURAL		2165712017	B	NATURAL		2165713017	B	NATURAL
		2165711027	C	RED		2165712027	C	RED		2165713027	C	RED
		2165711037	D	BLUE		2165712037	D	BLUE		2165713037	D	BLUE
		2165711047	E	YELLOW		2165712047	E	YELLOW		2165713047	E	YELLOW
D	8	2165711008	A	BLACK	8	2165712008	A	BLACK	8	2165713008	A	BLACK
		2165711018	B	NATURAL		2165712018	B	NATURAL		2165713018	B	NATURAL
		2165711028	C	RED		2165712028	C	RED		2165713028	C	RED
		2165711038	D	BLUE		2165712038	D	BLUE		2165713038	D	BLUE
		2165711048	E	YELLOW		2165712048	E	YELLOW		2165713048	E	YELLOW



ASSEMBLY VIEW  
MATED WITH 215759 SERIES

FUNCTIONAL SYMBOLS	THIS DRAWING CONTAINS INFORMATION THAT IS PROPRIETARY TO MOLEX ELECTRONIC TECHNOLOGIES, LLC AND SHOULD NOT BE USED WITHOUT WRITTEN PERMISSION		
	DIMENSION UNITS	SCALE	CURRENT REV DESC:
$\frac{F}{A} = 0$	mm	5:1	EC NO: 844069 DRWN: WYATTH5 2025/12/30 CHK'D: XQZHANG 2026/01/13 APPR: XQZHANG 2026/01/13 INITIAL REVISION: DRWN: HPAN18 2020/10/15 APPR: YXZHENG 2021/02/08
$\frac{E}{C} = 0$	GENERAL TOLERANCES (UNLESS SPECIFIED)		
$\frac{E}{P} = 0$	ANGULAR TOL $\pm$ °		
DIVISIONAL SYMBOLS	4 PLACES $\pm$		
	3 PLACES $\pm$		
	2 PLACES $\pm$ 0.15		
1 PLACE $\pm$ 0.15		DOCUMENT NUMBER <b>2165710003-SD</b>	
0 PLACES $\pm$			DOC TYPE   DOC PART   REVISION PSD   000   A4
DRAFT WHERE APPLICABLE MUST REMAIN WITHIN DIMENSIONS		THIRD ANGLE PROJECTION	DRAWING SERIES C-SIZE   216571
DOCUMENT STATUS   P1   RELEASE DATE   2023/03/06 08:44:46		MATERIAL NUMBER   CUSTOMER   SHEET NUMBER SEE NOTES   GENERAL MARKET   2 OF 3	

	12	11	10	9	8	7	6	5	4	3	2	1
CKT	POLARIZATION "A"- BLACK		POLARIZATION "B"- NATURAL		POLARIZATION "C" - RED		POLARIZATION "D" - BLUE		POLARIZATION "E" - YELLOW			
H	2											
G	3											
	4											
F	5											
	6											
E	7											
D	8											

PRE-RELEASE  
REFERENCE  
USE ONLY

THIS DRAWING CONTAINS INFORMATION THAT IS PROPRIETARY TO MOLEX ELECTRONIC TECHNOLOGIES, LLC AND SHOULD NOT BE USED WITHOUT WRITTEN PERMISSION																	
FUNCTIONAL SYMBOLS		DIMENSION UNITS		SCALE		CURRENT REV DESC:											
$\nabla_A = 0$		mm		1:1		EC NO: 844069											
$\nabla_C = 0$		GENERAL TOLERANCES (UNLESS SPECIFIED)						DRWN: WYATTH5 2025/12/30									
$\nabla_P = 0$		ANGULAR TOL $\pm$ °						CHK'D: XQZHANG 2026/01/13									
DIVISIONAL SYMBOLS		4 PLACES $\pm$		APPR: XQZHANG 2026/01/13													
		3 PLACES $\pm$		INITIAL REVISION:													
		2 PLACES $\pm$ 0.15		DRWN: HPAN18 2020/10/15													
		1 PLACE $\pm$ 0.15		APPR: YXZHENG 2021/02/08													
		0 PLACES $\pm$		THIRD ANGLE PROJECTION		DRAWING		SERIES		DOCUMENT NUMBER		DOC TYPE		DOC PART		REVISION	
		DRAFT WHERE APPLICABLE MUST REMAIN WITHIN DIMENSIONS				C-SIZE		216571		2165710003-SD		PSD		000		A4	
										MATERIAL NUMBER		CUSTOMER		SHEET NUMBER			
										GENERAL MARKET		3 OF 3					