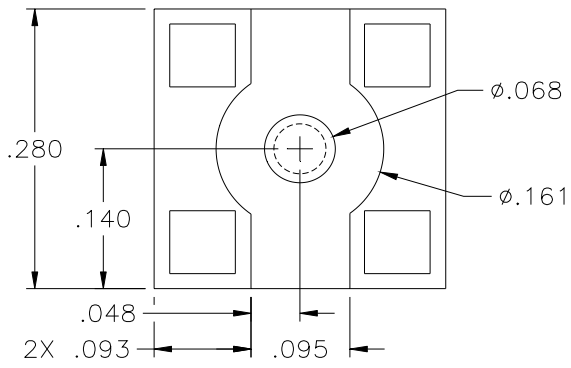
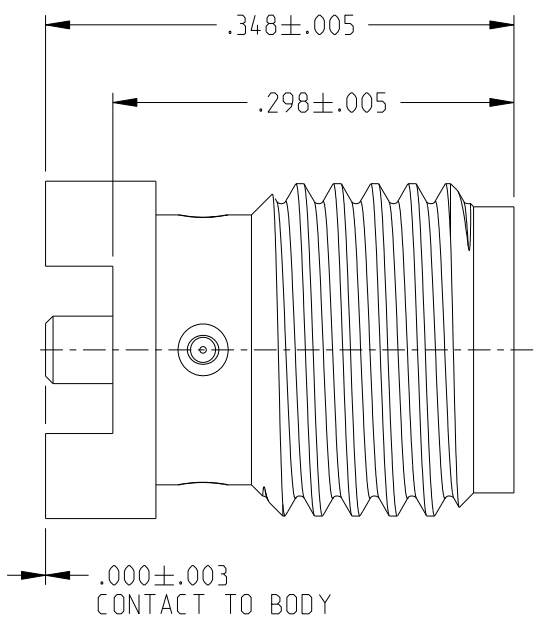
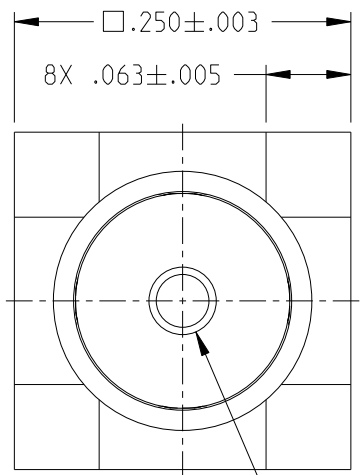
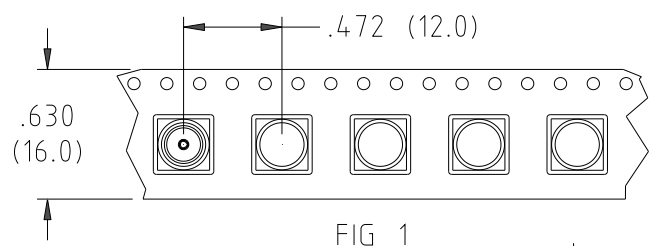
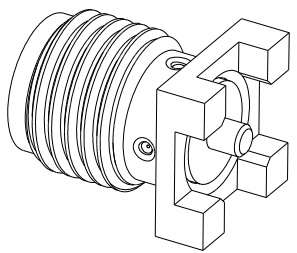


REV	ECO	DATE
2C	49167	2/2/2004
2D	51843	2/24/2009
02E	59768	6/23/2017



NOTES: UNLESS OTHERWISE SPECIFIED.

1. MATERIAL & FINISH:
 - 1.1 BODY: GOLD PLATED BRASS
 - 1.2 DIELECTRIC: PTFE (TEFLON)
 - 1.3 CENTER CONTACT: GOLD PLATED BERYLLIUM COPPER
2. ELECTRICAL:
 - 2.1 IMPEDANCE: 50 OHMS
 - 2.2 FREQUENCY RANGE: 0-18 GHz
 - 2.3 WORKING VOLTAGE: 335 VRMS MAX AT SEA LEVEL
 - 2.4 DIELECTRIC WITHSTANDING VOLTAGE: 1000 VRMS MIN AT SEA LEVEL
 - 2.5 INSULATION RESISTANCE: 5000 MEGOHM MIN
 - 2.6 CONTACT RESISTANCE:
 - 2.6.1 CENTER CONTACT: INITIAL 3.0 MILLIOHM MAX, AFTER ENVIRONMENTAL 4.0 MILLIOHM MAX.
 - 2.6.2 OUTER CONDUCTOR: INITIAL 2.0 MILLIOHM MAX
 - 2.7 CORONA LEVEL: 250 VOLTS MIN AT 70,000 FEET
 - 2.8 RF HIGH POTENTIAL WITHSTANDING VOLTAGE: 670 VRMS MIN AT 4 & 7 MHz
3. MECHANICAL:
 - 3.1 ENGAGE/DISENGAGE TORQUE: 2 IN-LBS MAX
 - 3.2 MATING TORQUE: 7-10 IN-LBS
 - 3.3 CONTACT RETENTION: 6 LBS MIN AXIAL FORCE, 4 IN-OZ MIN RADIAL TORQUE
 - 3.4 DURABILITY: 500 CYCLES MIN.
4. ENVIRONMENTAL: (MEETS OR EXCEEDS THE APPLICABLE PARAGRAPH OF MIL-PRF-39012)
 - 4.1 THERMAL SHOCK: MIL-STD-202, METHOD 107, CONDITION B
 - 4.2 OPERATING TEMPERATURE: -65°C TO 165°C
 - 4.3 CORROSION: MIL-STD-202, METHOD 101, CONDITION B
 - 4.4 SHOCK: MIL-STD-202, METHOD 213, CONDITION I
 - 4.5 VIBRATION: MIL-STD-202, METHOD 204, CONDITION D
 - 4.6 MOISTURE RESISTANCE: MIL-STD-202, METHOD 106.
5. PACKAGE: 500 PCS, TAPE & REEL W/ .005 THK COVER TAPE PER FIG 1

RECOMMENDED LAND PATTERN

LAND PATTERN FOR REFERENCE ONLY. PATTERN MAY VARY DEPENDING ON ASSEMBLY PROCESS, BOARD TYPE OR SPECIFIC ELECTRICAL OR MECHANICAL REQUIREMENTS.

<p>NOTICE: The information in this drawing is PROPRIETARY and must not be used without the permission of Cinch Connectivity Solutions. It may contain data whose export is restricted. Verify status prior to exporting.</p> <p>INTERPRET DRAWING IN ACCORDANCE WITH ASME Y14.5-2018</p>	Model No:	142-0711-202	JOHNSON		
	RoHS2 <input checked="" type="checkbox"/>	2015/863/EU	Cage Code	34078	
	UNLESS OTHERWISE SPECIFIED UNITS: INCH		3RD ANGLE PROJECTION	Title: JACK ASSEMBLY, STRAIGHT PC SURFACE MOUNT SMA	
	.XX ± .02 .XXX ± .010 ANGLES ± 2°		ENGINEER:	J. KEREKES	REV. 02E
Date:		6/26/2017	Drawing No.	C_142-0711-202	
Size		A	DO NOT SCALE DRAWING	Workmanship Std. Sheet 1 OF 1	