

This document is the property of Amphenol Corporation and is delivered on the express condition that is not to be disclosed, reproduced or used, in whole or in part, for manufacture or sale by anyone other than Amphenol Corporation without its prior consent, and that no right is granted to disclose or to use any information in this document.

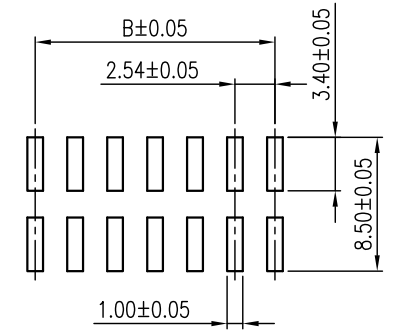
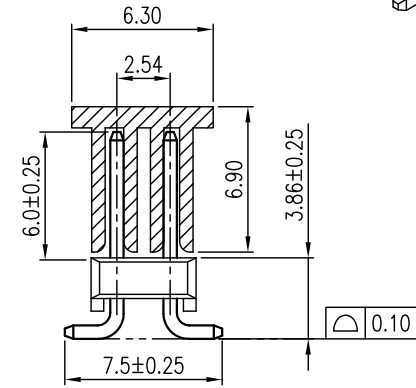
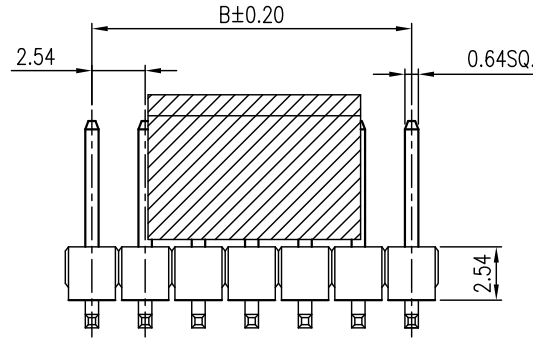
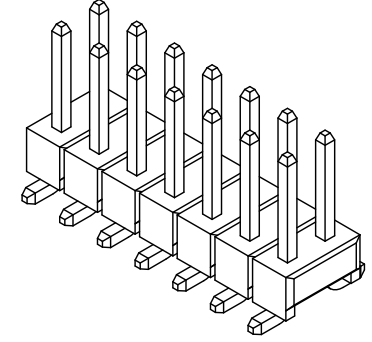
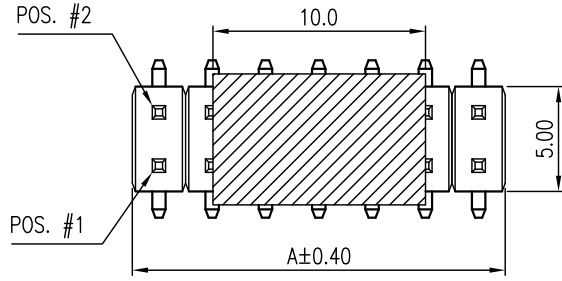
The marking on this product doesn't contain environmental hazardous materials per Material Specification SS-00259 for Sony GP compliant or per directive 2002/95/EC for RoHS compliant.



ORIGINAL



REVISIONS				
SYM	ECN No.	DESCRIPTION	DATE	APPROVED
A		RELEASE TO PRODUCTION	01/10/2005	Bodhi Chih
B	NE-12230	MODIFIED DRAWING	01/04/2013	Roger Tsai
C	NE-13113	ADDED PACKAGING	07/12/2013	Roger Tsai



NOTES:

- INSULATOR: NYLON6T, UL 94V-0, COLOR- BLACK
- CONTACT: COPPER ALLOY, "XXX"- PIN CONTACT PLATING  
 "005"- 15μ" GOLD  
 "010"- 30μ" GOLD  
 "018"- FULL GOLD FLASH  
 "025"- 5μ" GOLD  
 "032"- FULL TIN  
 UNDER NICKEL PLATING 50 u" MIN. THICKNESS OVERALL.
- THIS PRODUCT DOESN'T CONTAIN ENVIRONMENTAL HAZARDOUS MATERIALS PER DIRECTIVE 2002/95/EC FOR RoHS.
- PACKING IS PER AMTA PACKING SPECIFICATION PKS-0001

RECOMMENDED P.C.B. LAYOUT

G800 MJ 586 XXX EU	2 x 10 = 20	25.40	22.86
G800 MJ 587 XXX EU	2 x 9 = 18	22.86	20.32
G800 MJ 588 XXX EU	2 x 8 = 16	20.32	17.78
G800 MJ 589 XXX EU	2 x 7 = 14	17.78	15.24
G800 MJ 590 XXX EU	2 x 6 = 12	15.24	12.70
G800 MJ 591 XXX EU	2 x 5 = 10	12.70	10.16
G800 MJ 592 XXX EU	2 x 4 = 8	10.16	7.62
G800 MJ 593 XXX EU	2 x 3 = 6	7.62	5.08
G800 MJ 594 XXX EU	2 x 2 = 4	5.08	2.54
PART NUMBER	NO. OF POS.	A	B

TOLERANCE		APPROVALS		DATE	TITLE		Amphenol®		
X.		DRAWN	Aqua Chou	07/12/2013	G800 SERIES		Amphenol Corporation		
X.X	±0.30	CHECKED	Roger Tsai	07/12/2013	PIN HEADER, 2.54MM PITCH		Amphenol Taiwan Corporation		
X.XX	±0.20	APPROVED	Roger Tsai	07/12/2013	DUAL ROW, SURFACE MOUNT		PART No.	G800MJ XXX XXX EU	
X.XXX	±0.10	DWG TYPE	CUST DWG	PROJECT CODE	HEAD	UNIT	mm	SIZE	A3
ANGULAR	±1°	UNLESS OTHERWISE SPECIFIED				SCALE	NA	SHEET	1 OF 3
								DWG No.	G800MJXXXXXXEU_2
								REV.	C

This document is the property of Amphenol Corporation and is delivered on the express condition that is not to be disclosed, reproduced or used, in whole or in part, for manufacture or sale by anyone other than Amphenol Corporation without its prior consent, and that no right is granted to disclose or to use any information in this document.

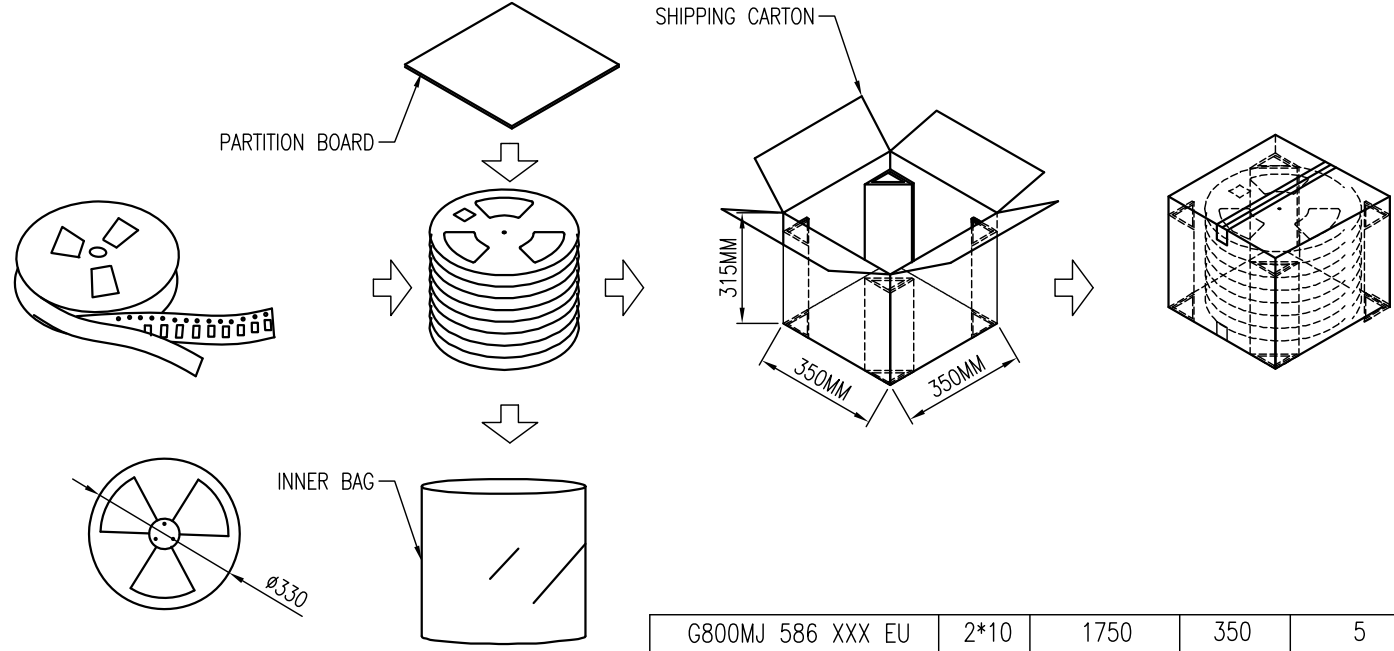
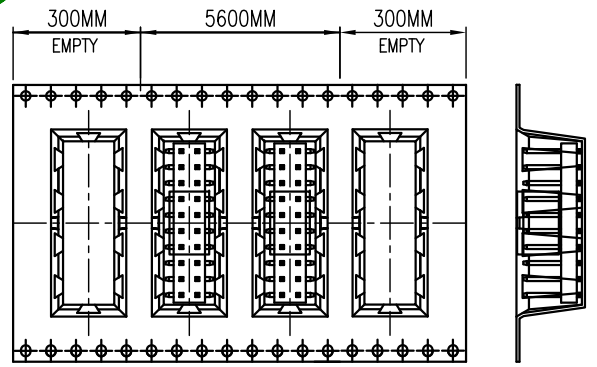
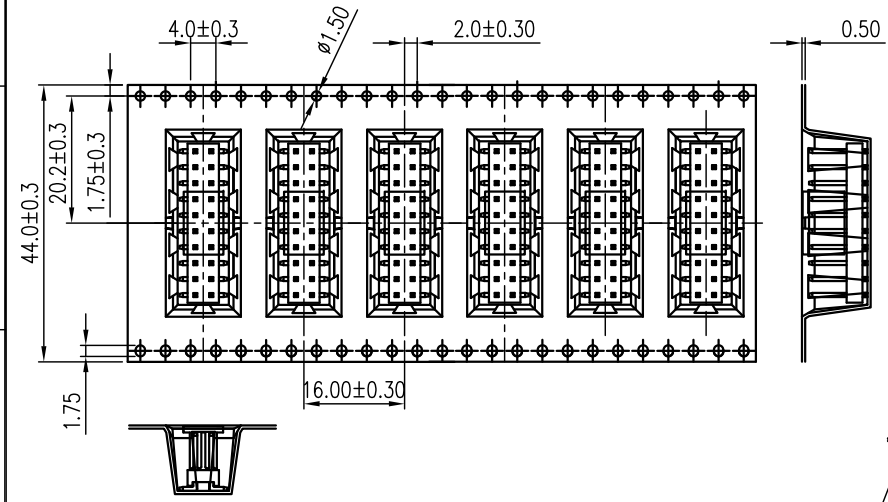
The marking on this product doesn't contain environmental hazardous materials per Material Specification SS-00259 for Sony GP compliant or per directive 2002/95/EC for RoHS compliant.



ORIGINAL



REVISIONS				
SYM	ECN No.	DESCRIPTION	DATE	APPROVED
A		RELEASE TO PRODUCTION	01/10/2005	Bodhi Chih
B	NE-12230	MODIFIED DRAWING	01/04/2013	Roger Tsai
C	NE-13113	ADDED PACKAGING	07/12/2013	Roger Tsai



G800MJ 586 XXX EU	2*10	1750	350	5	2.0	4.2
FOR PRODUCT PART NO	POSITION	PARTS PER CARTON (S.P.Q)	PARTS PER PEEL	TOTAL PEELS PER CARTON	N.W.(kg)	G.W.(kg)

TOLERANCE	APPROVALS	DATE	TITLE		PART No.	
X. ±0.30	DRAWN Aqua Chou	07/12/2013	G800 SERIES PIN HEADER, 2.54MM PITCH DUAL ROW, SURFACE MOUNT		Amphenol® Amphenol Corporation Amphenol Taiwan Corporation	
X.X ±0.20	CHECKED Roger Tsai	07/12/2013				
X.XXX ±0.10	APPROVED Roger Tsai	07/12/2013				
ANGULAR ±1°	DWG TYPE CUST DWG	PROJECT CODE HEAD	UNIT mm	SIZE A3	G800MJ XXX XXX EU	
UNLESS OTHERWISE SPECIFIED			SCALE NA	SHEET 2 OF 3	DWG No.	G800MJXXXXXXEU_2
					REV.	C

This document is the property of Amphenol Corporation and is delivered on the express condition that is not to be disclosed, reproduced or used, in whole or in part, for manufacture or sale by anyone other than Amphenol Corporation without its prior consent, and that no right is granted to disclose or to use any information in this document.

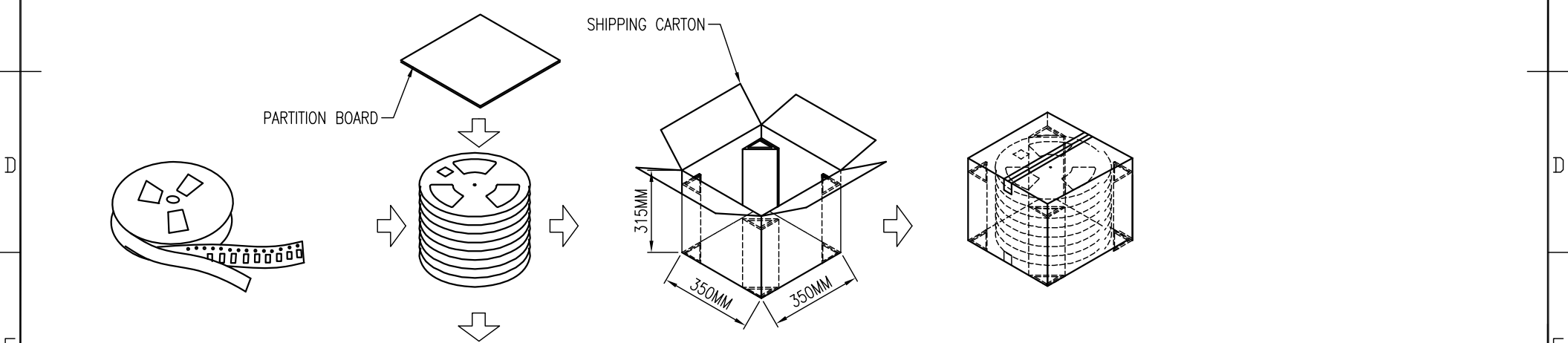
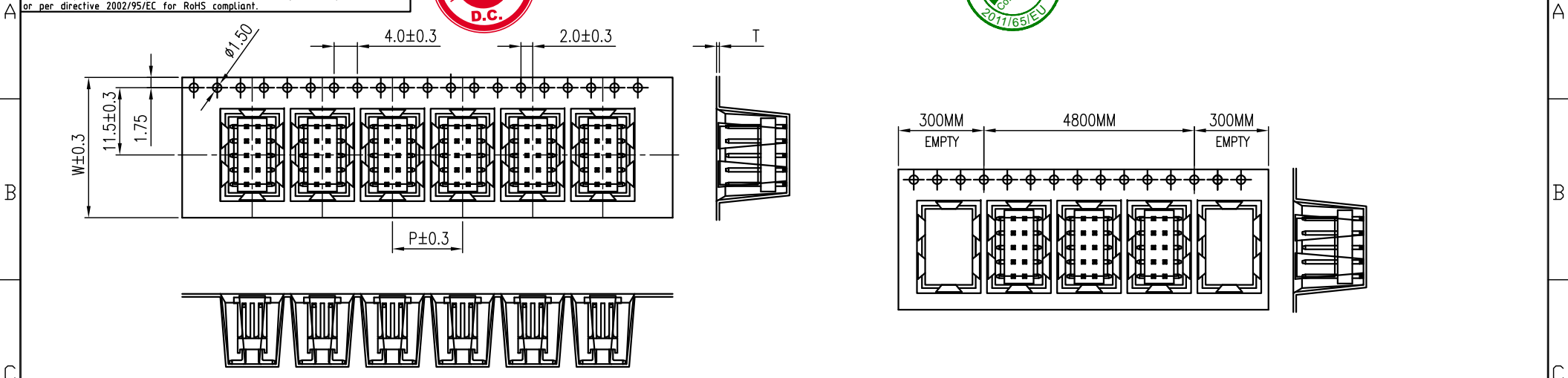
The marking on this product doesn't contain environmental hazardous materials per Material Specification 55-00259 for Sony GP compliant or per directive 2002/95/EC for RoHS compliant.



ORIGINAL



REVISIONS				
SYM	ECN No.	DESCRIPTION	DATE	APPROVED
A		RELEASE TO PRODUCTION	01/10/2005	Bodhi Chih
B	NE-12230	MODIFIED DRAWING	01/04/2013	Roger Tsai
C	NE-13113	ADDED PACKAGING	07/12/2013	Roger Tsai



G800MJ 593 XXX EU	2*3	2700	300	9	1.8	4.6	24.0	16.0	0.4
G800MJ 591 XXX EU	2*5	3600	400	9	3.1	6.1	24.0	12.0	0.5
FOR PRODUCT PART NO	POSITION	PARTS PER CARTON (S.P.Q)	PARTS PER PEEL	TOTAL PEELS PER CARTON	N.W.(kg)	G.W.(kg)	DIM W(MM)	DIM P(MM)	DIM T(MM)

TOLERANCE	APPROVALS	DATE	TITLE		UNIT		SIZE		PART No.	
X. ±0.30	DRAWN Aqua Chou	07/12/2013	G800 SERIES PIN HEADER, 2.54MM PITCH DUAL ROW, SURFACE MOUNT		mm		A3		G800MJ XXX XXX EU	
X.X ±0.20	CHECKED Roger Tsai	07/12/2013			SCALE NA		SHEET 2 OF 3		DWG No. G800MJXXXXXXEU_2	
X.XX ±0.10	APPROVED Roger Tsai	07/12/2013			PROJECT CODE HEAD		REV. C			
ANGULAR ±1°	DWG TYPE CUST DWG									
UNLESS OTHERWISE SPECIFIED										