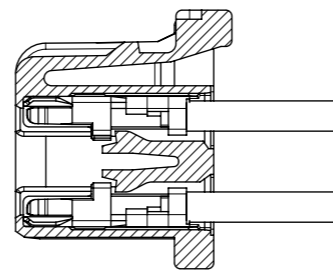
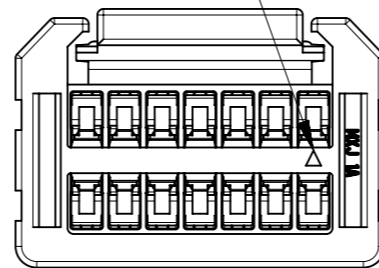


回路番号 1 マーク (8-14極用)  
CIRCUIT 1 MARK(FOR 8-14 CIRCUIT)



ターミナル装着図  
TERMINAL ASSEMBLY DRAWING

注記:

NOTES:

- ① 材質: TABLE 1 参照  
MATERIAL: SEE TABLE 1.
- ② 極数 / 2 = 偶数に適合  
APPLY TO CIRCUIT SIZE / 2 = EVEN.
- ③ 製品仕様書、コネクタ取扱説明書、適合嵌合相手、適合ターミナルは SHEET 3 をご参照ください。  
PLEASE REFER TO SHEET 3 FOR PRODUCT SPECIFICATION, APPLICATION SPECIFICATION, MATE WITH AND APPLICABLE TERMINAL.
- ④ 発注番号: SHEET 3 参照  
ORDER NUMBER: PLEASE REFER TO SHEET 3

505432 \*\* 0 \*

番号 NO.	ハウジングカラー HOUSING COLOR
0	ナチュラル(白) NATURAL (WHITE)
1	黒 BLACK
2	赤 RED
4	青 BLUE
6	緑 GREEN

極数 CIRCUIT SIZE

25	29.7	42
23.75	28.45	40
22.5	27.2	38
21.25	25.95	36
20	24.7	34
18.75	23.45	32
17.5	22.2	30
16.25	20.95	28
15	19.7	26
13.75	18.45	24
12.5	17.2	22
11.25	15.95	20
10	14.7	18
8.75	13.45	16
7.5	12.2	14
6.25	10.95	12
5	9.7	10
3.75	8.45	8
B	A	極数 CIRCUIT SIZE

① TABLE 1

部品 PART	材質 MATERIAL
ハウジング HOUSING	ポリエステル(PBT), UL94V-0, 色: SHEET 3参照 POLYESTER(PBT), UL94V-0, COLOR:SEE SHEET 3.

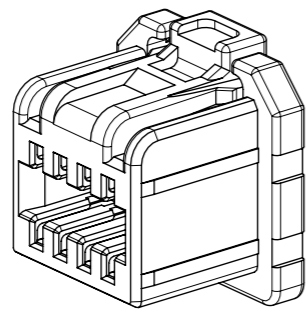
THIS DRAWING CONTAINS INFORMATION THAT IS PROPRIETARY TO MOLEX ELECTRONIC TECHNOLOGIES, LLC AND SHOULD NOT BE USED WITHOUT WRITTEN PERMISSION

DIMENSION UNITS	SCALE	CURRENT REV DESC: REMOVED OBSOLETE PART NUMBERS AS PER PCN #516676
mm	NTS	
GENERAL TOLERANCES (UNLESS SPECIFIED)		
ANGULAR TOL	±	3°
4 PLACES	±	0.20000
3 PLACES	±	0.2000
2 PLACES	±	0.200
1 PLACE	±	0.20
0 PLACES	±	0.20
DRAFT WHERE APPLICABLE MUST REMAIN WITHIN DIMENSIONS	THIRD ANGLE PROJECTION	DRAWING
		A3-SIZE

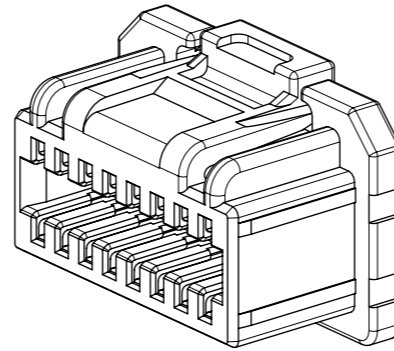
STATUS: Production		
DRWN: Pranav Arunkumar	2026-04-23	
CHK'D: Ganesh Rao B	2026-05-06	
APPR: Gurunandan GA	2026-05-06	

PRODUCT CUSTOMER DRAWING		
DOCUMENT NUMBER	DOC TYPE	DOC PART
5054320000	PSD	000
REVISION		
H2		
MATERIAL NUMBER	CUSTOMER	SHEET NUMBER
SEE SHEET 3	GENERAL	1 OF 3

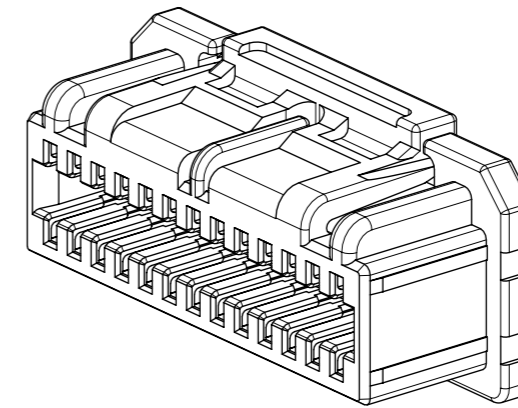
製品形状  
PRODUCT SHAPE



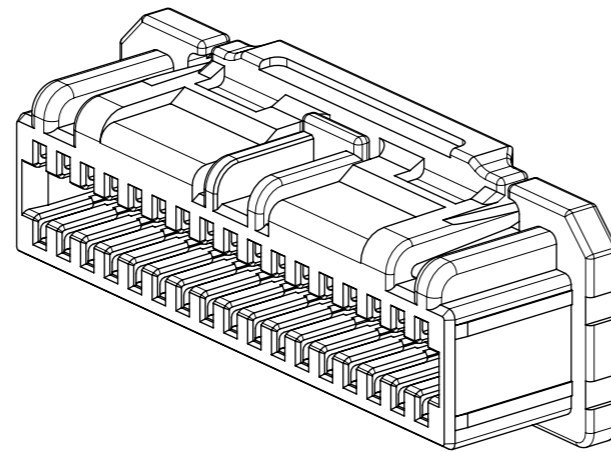
8-14極  
8-14 CIRCUIT



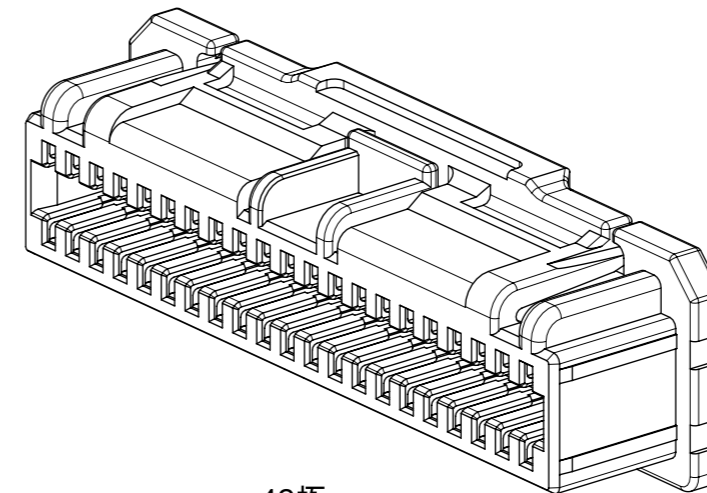
16-24極  
16-24 CIRCUIT




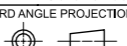
26-32極  
26-32 CIRCUIT



34-40極  
34-40 CIRCUIT



42極  
42 CIRCUIT

THIS DRAWING CONTAINS INFORMATION THAT IS PROPRIETARY TO MOLEX ELECTRONIC TECHNOLOGIES, LLC AND SHOULD NOT BE USED WITHOUT WRITTEN PERMISSION									
DIMENSION UNITS	SCALE	CURRENT REV DESC: REMOVED OBSOLETE PART NUMBERS AS PER PCN #516676							
mm	NTS	 MICRO-LOCK PLUS 1.25 W/B DUAL ROW RECEPTACLE HOUSING							
GENERAL TOLERANCES (UNLESS SPECIFIED)									
ANGULAR TOL	± 3°	PRODUCT CUSTOMER DRAWING STATUS: Production DRWN: Pranav Arunkumar CHK'D: Ganesh Rao B APPR: Gurunandan GA							
4 PLACES	± 0.20000								
3 PLACES	± 0.2000	2026-04-23	DOCUMENT NUMBER	DOC TYPE	DOC PART	REVISION	5054320000 PSD 000 H2		
2 PLACES	± 0.200	2026-05-06	505432	PSD	000	H2			
1 PLACE	± 0.20	2026-05-06	SEE SHEET 3	GENERAL	SHEET NUMBER		2 OF 3		
0 PLACES	± 0.20				SHEET NUMBER				
DRAFT WHERE APPLICABLE MUST REMAIN WITHIN DIMENSIONS		THIRD ANGLE PROJECTION	DRAWING	SERIES	MATERIAL NUMBER	CUSTOMER			
			A3-SIZE	505432	SEE SHEET 3	GENERAL			


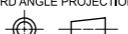
△ 3 適合製品及び各種仕様書 APPLICABLE PRODUCTS AND VARIOUS SPECIFICATIONS

梱包仕様書 PACKAGING SPECIFICATION	PART NUMBER		SPECIFICATION NUMBER		
	505432**0*		5054329200 PS 200		
適合ターミナル APPLICABLE TERMINAL	PART NUMBER		PLATING TYPE		WIRE SIZE(AWG)
	5054311000		TIN		
	5054311*00 1,2,3 ↑		GOLD		#26-30
適合嵌合相手 MATE WITH	TIN PLATING		GOLD PLATING		
	VERTICAL	RIGHT ANGLE	VERTICAL	RIGHT ANGLE	
シリーズ番号 SERIES NUMBER	505433**** 7,8 ↑	505448**7*	505433**** 2,3,4,5,6,9 ↑	505448**** 3,5,9 ↑	
製品仕様書 PRODUCT SPECIFICATION	5054320000 PS 002		5054320000 PS 006		
コネクタ取扱説明書 APPLICATION SPECIFICATION	5054320000-AS PS 000				

製品嵌合図は各嵌合相手図面を参照のこと  
MATING VIEW : REFER TO EACH "MATE WITH" PART DRAWING.

△ 4 505432\*\*0\* 発注番号一覧 ORDER NUMBER LIST

BLUE	RED	BLACK	NATURAL (WHITE)	HOUSING COLOR
5054324204	5054324202	5054324201	5054324200	42
5054324004	5054324002	5054324001	5054324000	40
5054323804	5054323802	5054323801	5054323800	38
5054323604	5054323602	5054323601	5054323600	36
5054323404	5054323402	5054323401	5054323400	34
5054323204	5054323202	5054323201	5054323200	32
5054323004	5054323002	5054323001	5054323000	30
5054322804	5054322802	5054322801	5054322800	28
5054322604	5054322602	5054322601	5054322600	26
5054322404	5054322402	5054322401	5054322400	24
5054322204	5054322202	5054322201	5054322200	22
5054322004	5054322002	5054322001	5054322000	20
5054321804	5054321802	5054321801	5054321800	18
5054321604	5054321602	5054321601	5054321600	16
5054321404	5054321402	5054321401	5054321400	14
5054321204	5054321202	5054321201	5054321200	12
5054321004	5054321002	5054321001	5054321000	10
5054320804	5054320802	5054320801	5054320800	8
発注番号 ORDER NUMBER				極数 CIRCUIT SIZE
梱包形態 : ポリ袋 PACKAGING : POLYBAG PACKAGE				

THIS DRAWING CONTAINS INFORMATION THAT IS PROPRIETARY TO MOLEX ELECTRONIC TECHNOLOGIES, LLC AND SHOULD NOT BE USED WITHOUT WRITTEN PERMISSION										
DIMENSION UNITS	SCALE	CURRENT REV DESC: REMOVED OBSOLETE PART NUMBERS AS PER PCN #516676								
mm	NTS	 MICRO-LOCK PLUS 1.25 W/B DUAL ROW RECEPTACLE HOUSING								
GENERAL TOLERANCES (UNLESS SPECIFIED)										
ANGULAR TOL	± 3°	STATUS: Production DRWN: Pranav Arunkumar 2026-04-23 CHK'D: Ganesh Rao B 2026-05-06 APPR: Gurunandan GA 2026-05-06								
4 PLACES	± 0.20000									
3 PLACES	± 0.2000									
2 PLACES	± 0.200									
1 PLACE	± 0.20									
0 PLACES	± 0.20	DOCUMENT NUMBER		5054320000	DOC TYPE	PSD	DOC PART	000	REVISION	H2
DRAFT WHERE APPLICABLE MUST REMAIN WITHIN DIMENSIONS		THIRD ANGLE PROJECTION	DRAWING	SERIES	MATERIAL NUMBER	CUSTOMER	SHEET NUMBER			
			A3-SIZE	505432	SEE SHEET 3	GENERAL	3 OF 3			