

MATERIALS AND FINISHES:

BODY: BERYLLIUM COPPER

- OPTION 1:**
 PLATED GOLD (30μ-in MIN)
 OVER NICKEL (100μ-in MIN)
- OPTION 2:**
 PLATED GOLD (10μ-in MIN)
 OVER NICKEL (100μ-in MIN)
- OPTION 3:**
 PLATED GOLD (8μ-in MIN)
 OVER NICKEL PHOSPHOR (80μ-in MIN)
 OVER COPPER (20μ-in MIN)

CONTACT: BERYLLIUM COPPER

- OPTION 1:**
 PLATED GOLD (30μ-in MIN)
 OVER NICKEL (100μ-in MIN)
- OPTION 3:**
 PLATED GOLD (8μ-in MIN)
 OVER NICKEL PHOSPHOR (80μ-in MIN)
 OVER COPPER (20μ-in MIN)

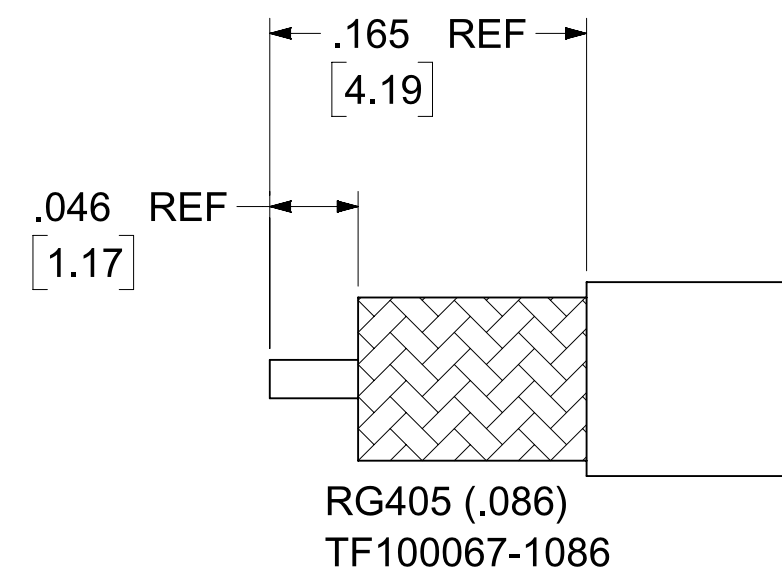
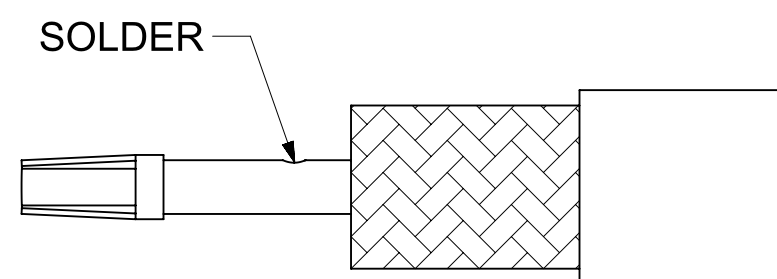
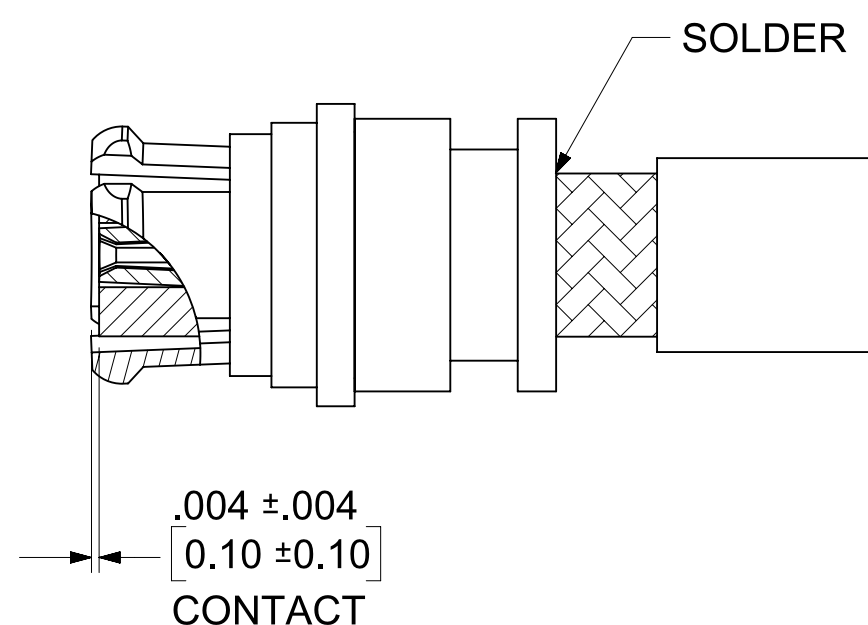
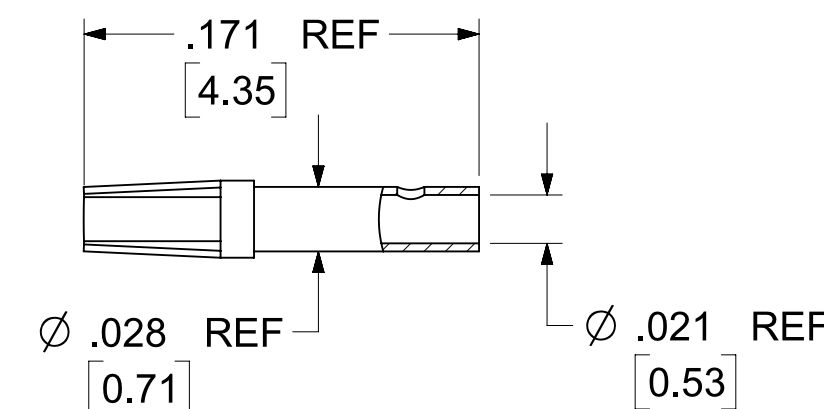
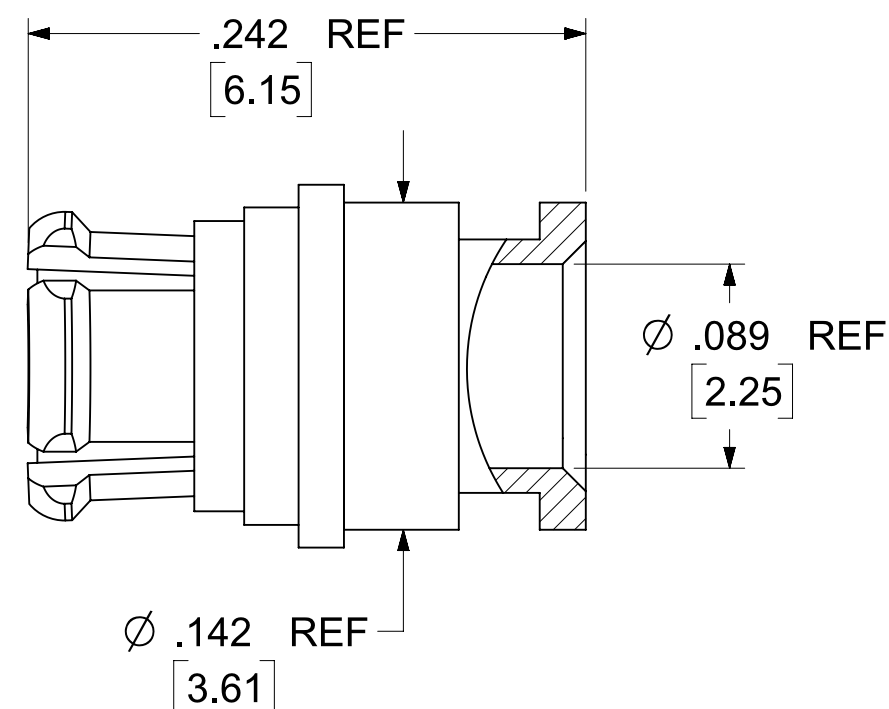
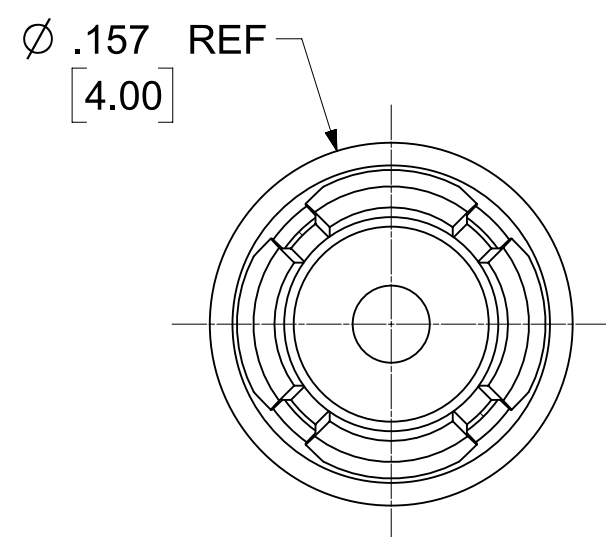
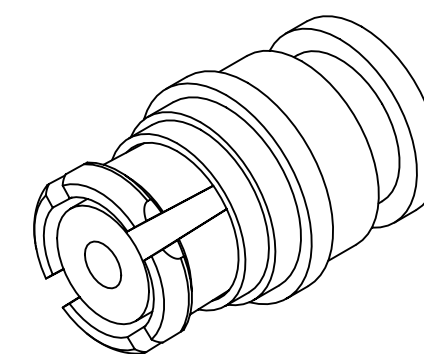
INSULATOR: PTFE

EMI RING: BRASS

- OPTION 1:**
 PLATED GOLD (30μ-in MIN)
 OVER NICKEL (100μ-in MIN)
- OPTION 3:**
 PLATED GOLD (8μ-in MIN)
 OVER NICKEL PHOSPHOR (80μ-in MIN)
 OVER COPPER (20μ-in MIN)

ELECTRICAL CHARACTERISTICS:

NOMINAL IMPEDANCE: 50Ω
FREQUENCY RANGE: DC - 26.5 GHz
VSWR: 1.30 MAX DC - 15.0 GHz
 1.50 MAX 15.0 GHz - 26.5 GHz



RECOMMENDED STRIP DIMENSIONS

LABEL FORMAT FOR 73415-3741

PART NUMBER: 73415-3740
 ORDER NUMBER: 73415-3741
 MOLEX
 DATE: YYWW

LABEL FORMAT FOR 73415-3744

PART NUMBER: 73415-3743
 ORDER NUMBER: 73415-3744
 MOLEX
 DATE: YYWW

73415-3744	OPTION 3	OPTION 3	OPTION 3	73415-3743 ONE PER BAG	895420470
73415-3743	OPTION 3	OPTION 3	OPTION 3	73415-3743 TRAY	895420040
73415-3742	OPTION 2	OPTION 1	OPTION 1	73415-3742 TRAY	895420040
73415-3741	OPTION 1	OPTION 1	OPTION 1	73415-3740 ONE PER BAG	895420500
73415-3740	OPTION 1	OPTION 1	OPTION 1	73415-3740 TRAY	895420040
PART NO.	BODY	CONTACT	EMI RING	DESCRIPTION	PACKAGING SPEC

896788560	CABLE ASSEMBLY INSTRUCTION
PS-89675-3320	ELEC/MECH PERFORMANCE
MIL-STD-348B. FIG. 326.1	INTERFACE
SPECIFICATION	DESCRIPTION

THIS DRAWING CONTAINS INFORMATION THAT IS PROPRIETARY TO MOLEX ELECTRONIC TECHNOLOGIES, LLC AND SHOULD NOT BE USED WITHOUT WRITTEN PERMISSION

DIMENSION UNITS	SCALE	CURRENT REV DESC: ADD AS-89678-8560	molex		
INCH/mm	NTS				
GENERAL TOLERANCES (UNLESS SPECIFIED)			SMP JACK STR FOR RG405 CABLE SMP-JC EWR-1350		
4 PLACES	±	±	PRODUCT SALES DRAWING		
3 PLACES	±	± 0.0100	DOCUMENT NUMBER		
2 PLACES	± 0.250	±	SD-73415-374		
1 PLACE	±	±	DOC TYPE		
0 PLACES	±	±	PSD		
ANGULAR TOL	±	2'	DOC PART		
DRAFT WHERE APPLICABLE MUST REMAIN WITHIN DIMENSIONS	THIRD ANGLE PROJECTION	DRAWING	SERIES	MATERIAL NUMBER	CUSTOMER
		C-SIZE	73415	SEE TABLE	GENERAL MARKET
					SHEET NUMBER
					1 OF 1