

PRODUCT NUMBER

71607-YXXZLF

RoHS COMPATIBLE, SEE NOTE 6

OPTIONAL LETTER:
(MAY BE SUBJECT TO TOOLING FEES)

A: PRODUCT PACKED IN TAPE & REEL, SEE TA856

NUMBER OF POSITIONS: 02 TO 40

PLATING CODE:
(AS AVAILABLE)

3= 0.76µm GOLD ON CONTACT AREA
2µm MIN MATTE TIN ON TAIL

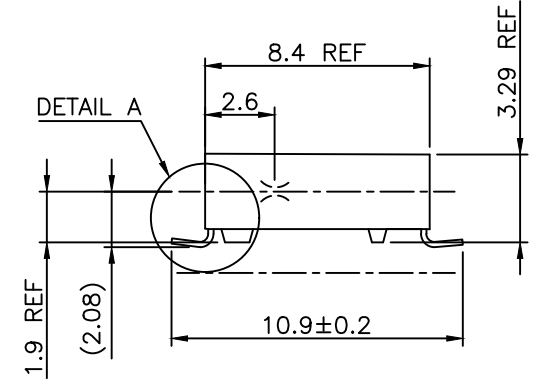
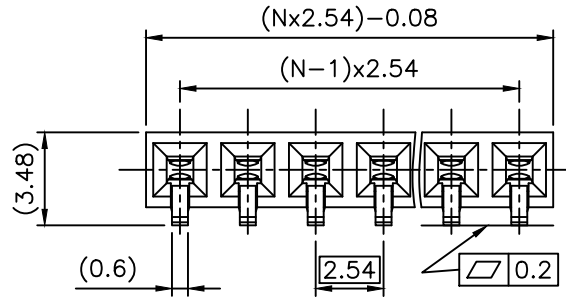
4= 2µm MIN MATTE TIN FULL PLATED

8= 0.38µm GOLD ON CONTACT AREA
2µm MIN MATTE TIN ON TAIL

1.27µm Ni MIN UNDERPLATING

EXTENDED RANGE

- TOOLING FEASIBILITY CONFIRMED
- SAMPLES ON DEMAND
- AVAILABILITY ON DEMAND



NOTES:

- HOUSING MAT'L: THERMOPLASTIC GLASS FILLED FLAME RETARDANT PER UL 94 V-0 COLOR: GREY.
- TERMINAL MATERIAL: PHOSPHOR BRONZE.
- 2 UP TO 4 POSITIONS PRODUCT PACKED. IN PLASTIC BOX
5 UP TO 40 POSITIONS PRODUCT PACKED IN TUBE.

- TO DETERMINE DIMENSIONS:
N = NUMBER OF POSITIONS
EXAMPLE: 8 POS: (N_x2.54)-0.08=20.24 mm
- RECOMMENDED IR PROFIL PER TA 842.
- RoHS COMPATIBLE PRODUCT SPECIFICATIONS

a - PLATING:

- "LF" MEANS THE PRODUCT IS LEAD-FREE, 2µm MINIMUM MATTE TIN OVER 1.27µm MINIMUM NICKEL UNDERPLATE.

b - MANUFACTURING PROCESS COMPATIBILITY

- THE HOUSING WILL WITHSTAND EXPOSURE TO 260°C PEAK TEMPERATURE FOR 30 SECONDS MAX IN A CONVECTION, INFRA-RED OR VAPOR PHASE OR REFLOW OVEN.

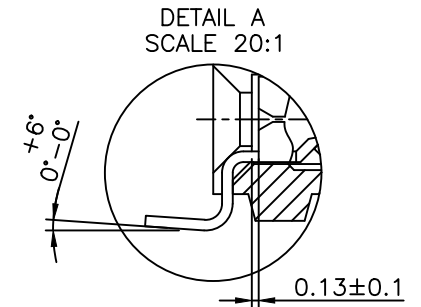
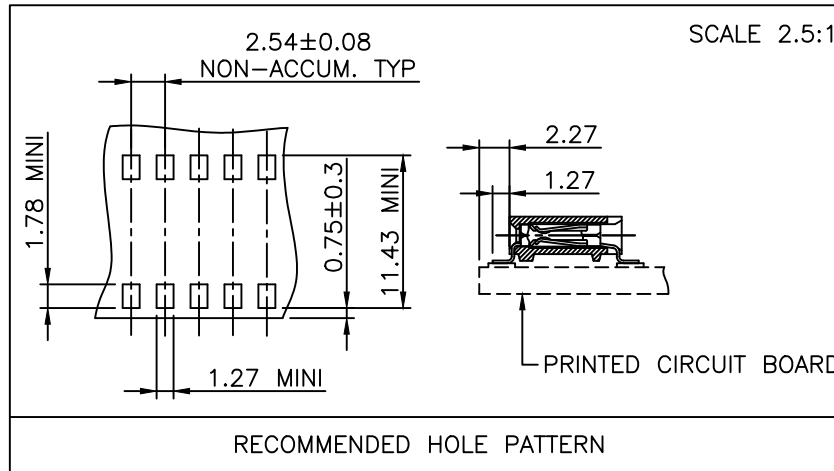
c - LABELING:

- MEETS PACKAGING SPECS AS PER GS-14-920

d - LEGAL STATEMENT: SEE GS-47-0004

- THIS PART SERIES IS NOT INITIALLY INTENDED FOR AUTOMOTIVE APPLICATIONS. ADDITIONAL FEES ARE CHARGEABLE FOR ANY ADDITIONAL QUALIFICATION AND TEST REPORTS PERFORMED OUTSIDE THE SCOPE OF THE STANDARD PRODUCT SPECIFICATIONS.

- UNLESS OTHERWISE APPROVED BY AMPHENOL, ALL PARTS AND COMPONENTS ARE DESIGNED & BUILT ACCORDING TO AMPHENOL'S SPECIFICATIONS WHICH ARE SUBJECT TO CHANGE WITHOUT NOTICE.



mat'l. code		surface		tolerance		projection		product family	
SEE NOTE 1		ISO 1302 ✓		ISO 406 ISO 1101		DUBOX		DUBOX	
ltr	ecn no	dr	date	tolerances unless otherwise specified		mm		title	
T	F04-0347	DLE	04.11.08	±0.3		mm		BtB RECEPT.	
U	F06-0204	DLE	06.06.10	linear		scale 10:1		HORIZ SR SMT	
V	B-19123	LMU	14.10.20	±2'				dwg no	
X	F-54517	DDE	25.02.06	dr	P.NIZZI	94.03.21	sheet 1 of 1		size
				enrg	P.NIZZI	99.06.08	71607		A3
				chr	JF NOTTEAU	97.05.13	CUSTOMER		Drawing
				appd	P.NIZZI	99.06.08			
sheet index	revision sheet								