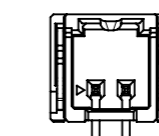
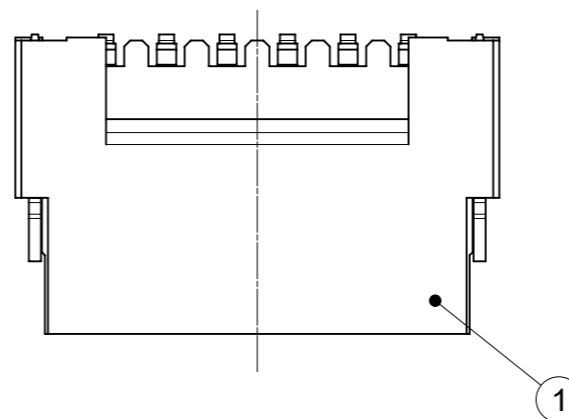
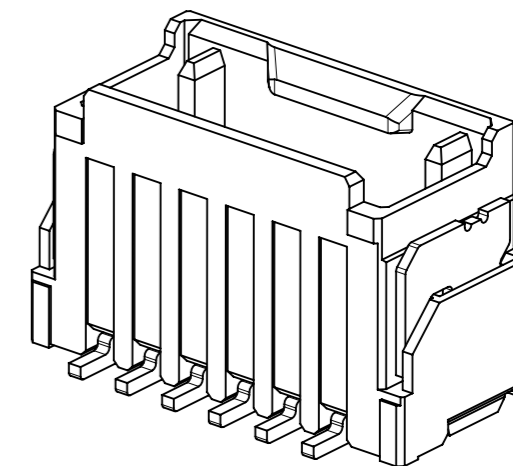


NOTES

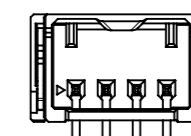
- △ 材料及び仕上げ(めっき仕様) : TABLE 1 参照  
MATERIAL AND FINISHES : SEE TABLE 1
- 2. 製品仕様書 : 2059790000-PS 000  
PRODUCT SPECIFICATION:2059790000-PS 000
- 3. 梱包形態 : SHEET 4 参照  
PACKAGING INFORMATION : SEE SHEET 4
- △ 嵌合相手 : 205979(ISLタイプ),212724(TPAタイプ) シリーズ  
MATES WITH:205979(ISL TYPE),212724(TPA TYPE) SERIES
- 5. アプリケーション仕様書  
(コネクタ取扱い説明書) : 2059790000-AS 000  
APPLICATION SPECIFICATION  
(CONNECTOR MANUAL):2059790000-AS 000
- 6. 端子テール部及びネイルの平坦度:0.1 MAX  
TAIL AND NAIL COPLANARITY TO BE 0.1 MAX
- △ 偶数極に適用。  
APPLY FOR EVEN CIRCUIT.
- 8. 端子テール部及びネイルに錫ビスマスめっきを使用している為、  
外観に摺動痕が付く場合があります。  
THE WOUND OF FRICTION MIGHT ADHERE TO  
EXTERNALS BECAUSE THE TIN BISMUTH PLATING IS  
USED FOR THE TAIL AND NAIL.
- 9. 本製品のプラスチック部に黒点・白点等が確認される場合や  
色合いが異なる場合がありますが、製品性能に影響はありません。  
THERE IS NO INFLUENCE IN THE PRODUCT  
PERFORMANCE THOUGH THE BLACK AND WHITE SPOT ETC.  
MIGHT BE CONFIRMED TO THE PLASTIC PART OF  
THIS PRODUCT AND THE SHADE MIGHT BE DIFFERENT.

△ TABLE 1

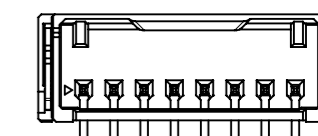
番号 No.	部品 PART	材質 MATERIAL
①	ハウジング HOUSING	ポリアミド(PA), UL94V-0, 色 : SEE CHART POLYAMIDE(PA), UL94V-0, COLOR : SEE CHART
②	ターミナル TERMINAL	黄銅 BRASS
		錫ビスマスめっき : 1.0 micro-meter MIN TIN BISMUTH PLATING(TAIL AREA, CONTACT AREA) ニッケルめっき(下地): 1.0 micro-meter MIN NICKEL(UNDER PLATING)
③	ネイル NAIL	黄銅 BRASS
		錫めっき : 1.0 micro-meter MIN MATTE TIN PLATING ニッケルめっき(下地): 1.0 micro-meter MIN NICKEL(UNDER PLATING)



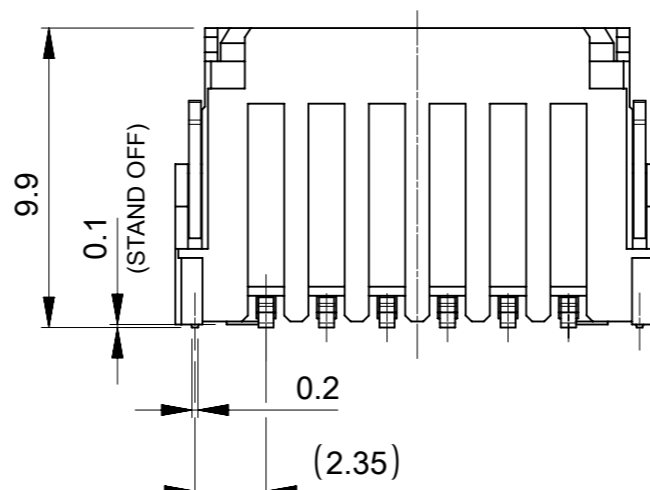
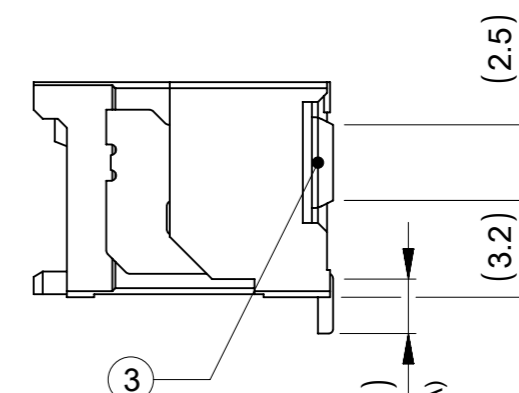
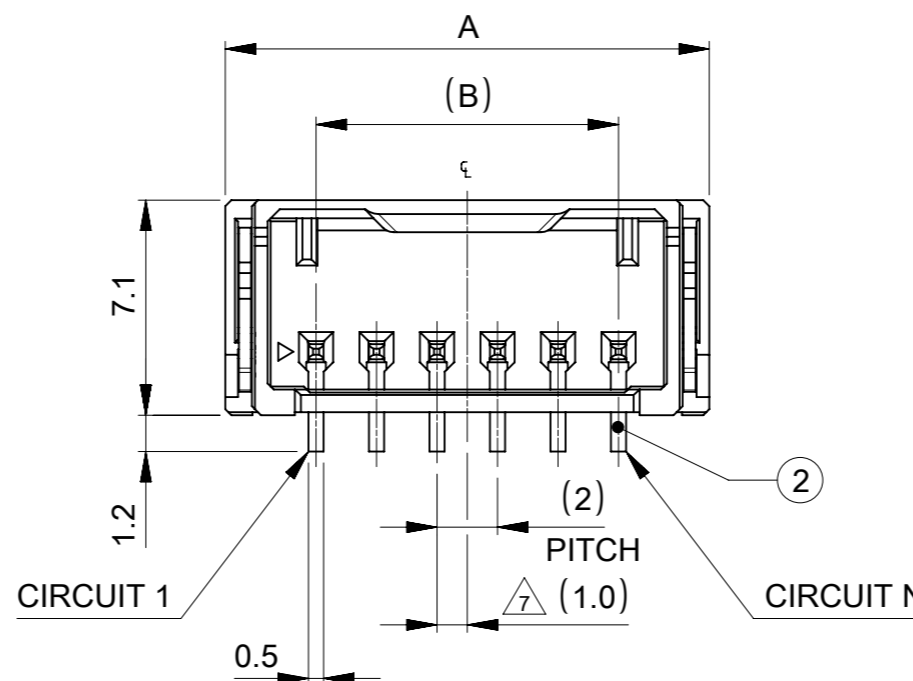
VIEW OF  
2-3 CIRCUIT



VIEW OF  
4-6 CIRCUIT



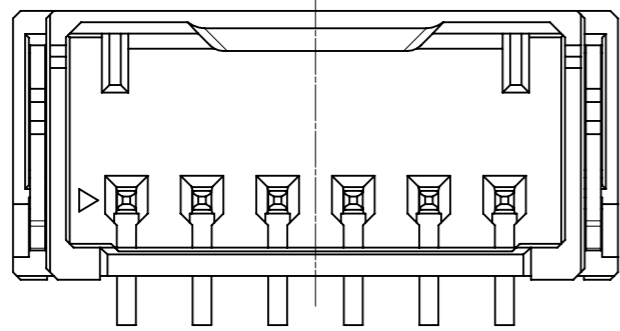
VIEW OF  
7-8 CIRCUIT



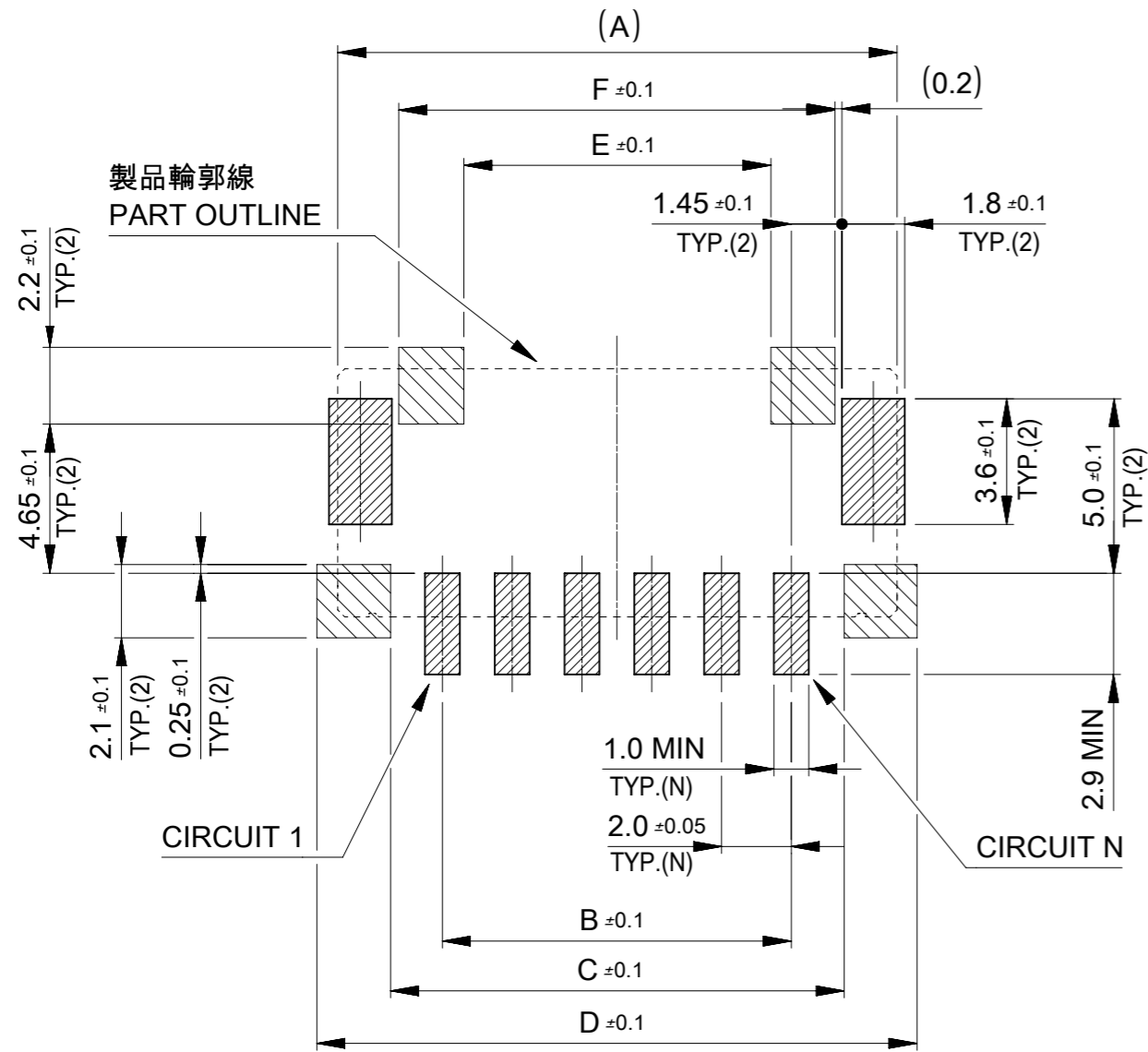
14	20	8
12	18	7
10	16	6
8	14	5
6	12	4
4	10	3
2	8	2
B	A	極数 CIRCUIT SIZE

THIS DRAWING CONTAINS INFORMATION THAT IS PROPRIETARY TO MOLEX ELECTRONIC TECHNOLOGIES, LLC AND SHOULD NOT BE USED WITHOUT WRITTEN PERMISSION

DIMENSION UNITS mm	SCALE NTS	CURRENT REV DESC: REMOVED OBSOLETE PART NUMBER AS PER PCN#517153	<b>molex</b>		
GENERAL TOLERANCES (UNLESS SPECIFIED)					
ANGULAR TOL ± 3.0 °			PRODUCT CUSTOMER DRAWING		
4 PLACES ± 0.2	EC NO: 834848	2025/08/29	DOCUMENT NUMBER <b>2059710000-SD</b>		
3 PLACES ± 0.2	DRWN: PONNAM	2025/09/22			
2 PLACES ± 0.2	CHK'D: GGA	2025/09/22	MATERIAL NUMBER SEE TABLE		
1 PLACE ± 0.2	APPR: GGA	2025/09/22			
0 PLACES ± 0.2	INITIAL REVISION: DRWN: TGREGORI APPR: SAKIYAMA	2018/02/16 2020/07/10	SHEET NUMBER 1 OF 5		
DRAFT WHERE APPLICABLE MUST REMAIN WITHIN DIMENSIONS	THIRD ANGLE PROJECTION	DRAWING A3-SIZE			



製品レイアウト  
PRODUCT LAYOUT

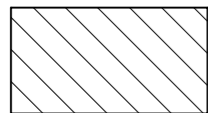


推奨基板レイアウト:実装面側

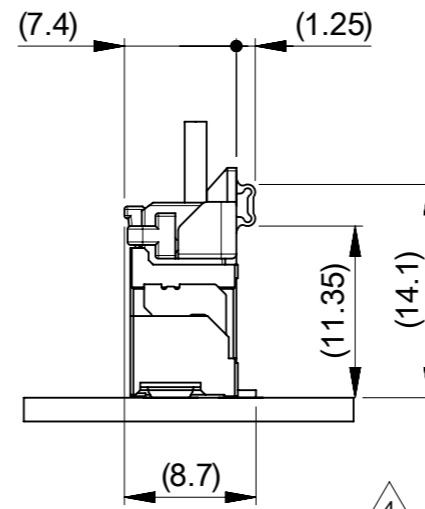
(参考: 基板厚1.6mm, メタルマスク厚0.15mm, マスク開口率100%)

SUGGESTED PCB LAYOUT : COMPONENT SIDE

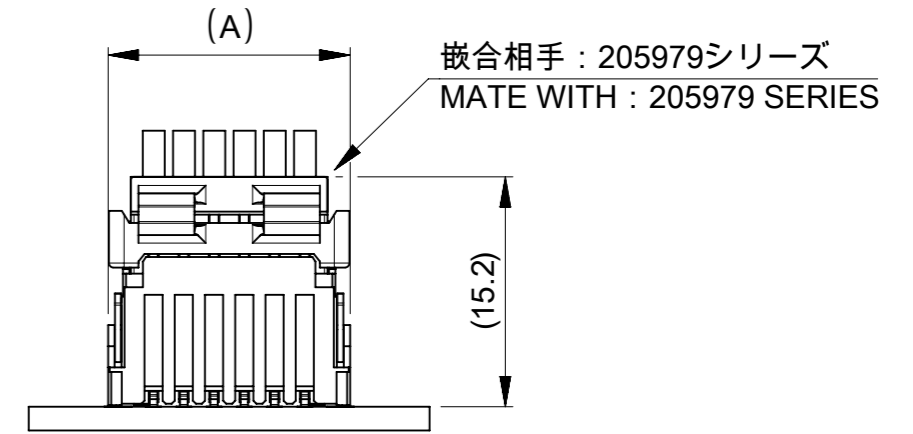
(REFERENCE: PCB THICKNESS 1.6mm, STENCIL THICKNESS 0.15mm, APERTURE RATIO 100%)



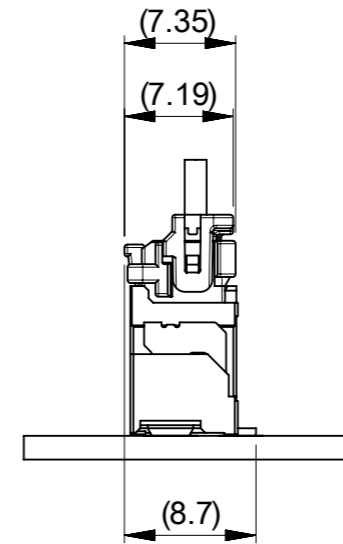
:パターン禁止エリア  
RESTRICTED AREA  
NO PCB COMPONENTS ALLOWED



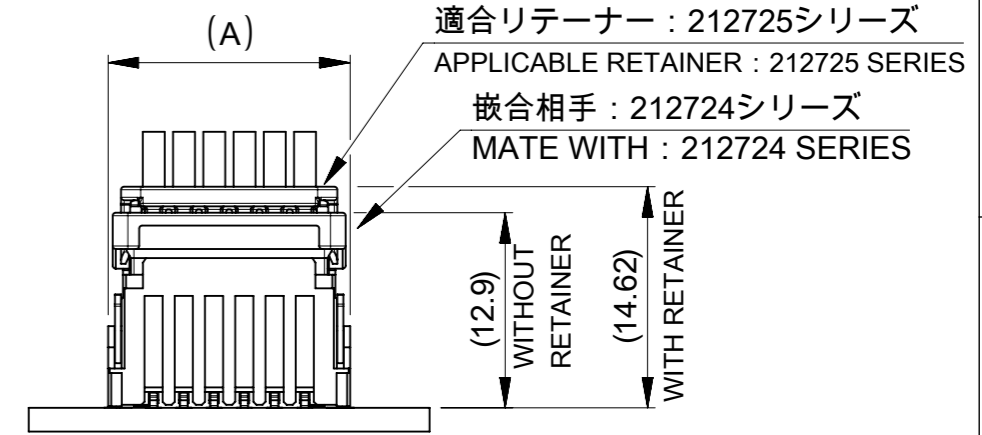
△ ISLタイプ嵌合図  
MATED CONNECTOR OF ISL TYPE



嵌合相手: 205979シリーズ  
MATE WITH: 205979 SERIES



△ TPAタイプ嵌合図  
MATED CONNECTOR OF TPA TYPE

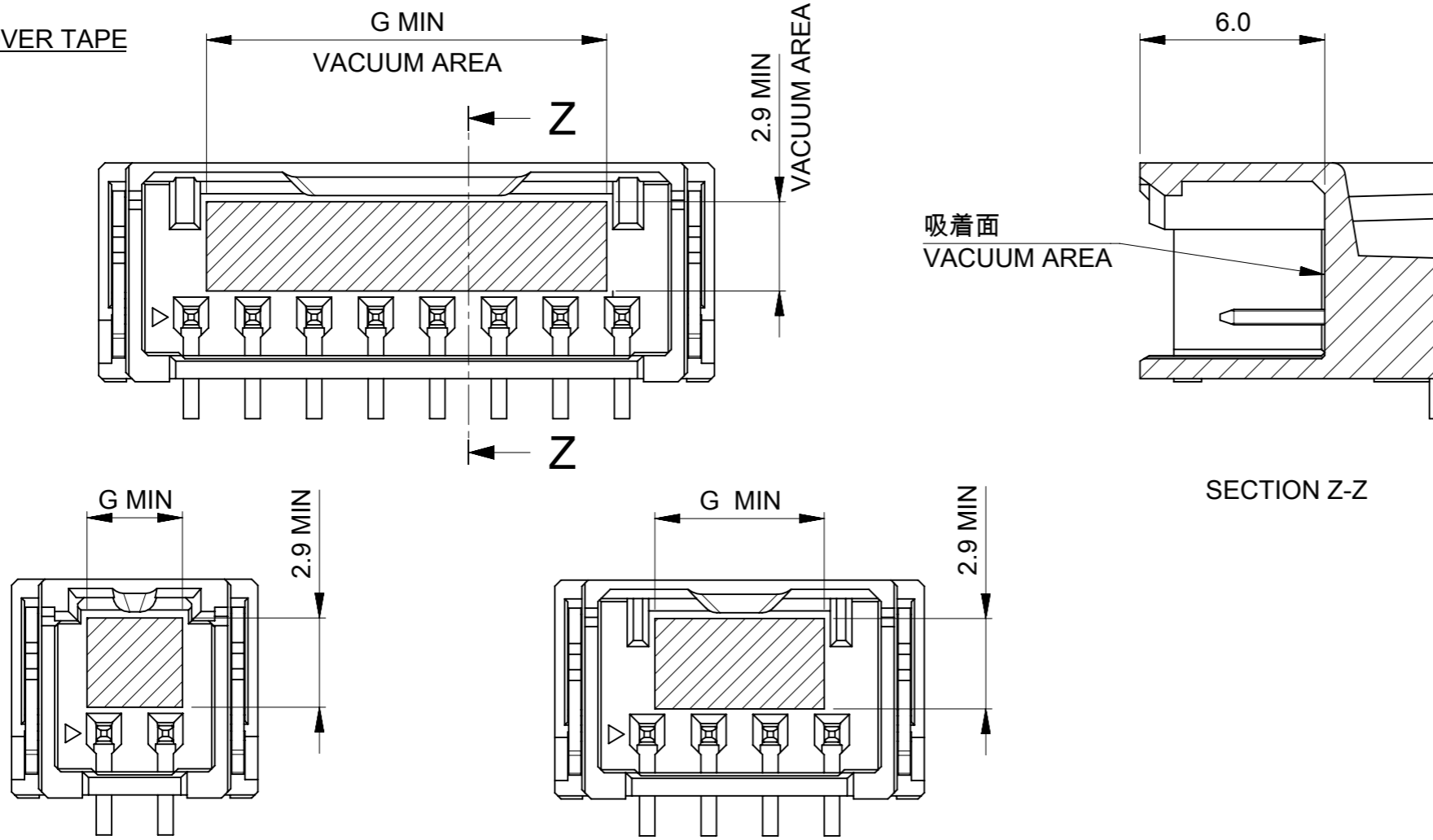


適合リテーナー: 212725シリーズ  
APPLICABLE RETAINER: 212725 SERIES  
嵌合相手: 212724シリーズ  
MATE WITH: 212724 SERIES

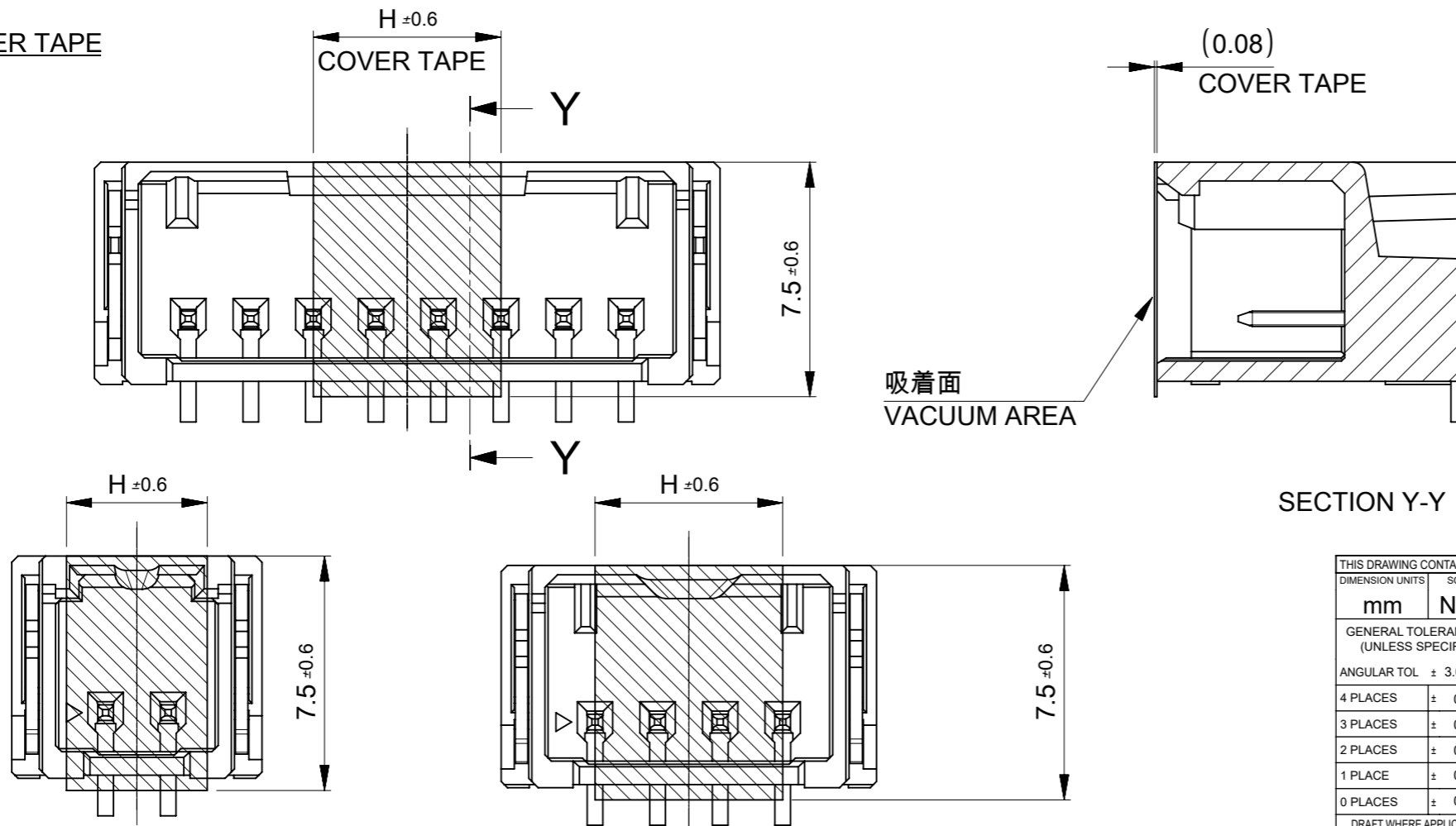
16.5	13.6	21.2	17.0	8
14.5	11.6	19.2	15.0	7
12.5	9.6	17.2	13.0	6
10.5	7.6	15.2	11.0	5
8.5	5.6	13.2	9.0	4
6.5	3.6	11.2	7.0	3
4.5	1.6	9.2	5.0	2
F	E	D	C	極数 CIRCUIT SIZE

THIS DRAWING CONTAINS INFORMATION THAT IS PROPRIETARY TO MOLEX ELECTRONIC TECHNOLOGIES, LLC AND SHOULD NOT BE USED WITHOUT WRITTEN PERMISSION											
DIMENSION UNITS mm		SCALE NTS		CURRENT REV DESC: REMOVED OBSOLETE PART NUMBER AS PER PCN#517153							
GENERAL TOLERANCES (UNLESS SPECIFIED)				<p><b>molex</b></p> <p>MICRO-ONE 2.0W/B HEAD ASSEMBLY VERTICAL</p> <p>PRODUCT CUSTOMER DRAWING</p>							
ANGULAR TOL ± 3.0 °											
4 PLACES ± 0.2		EC NO: 834848								2025/08/29	
3 PLACES ± 0.2		DRWN: PONNAM								2025/09/22	
2 PLACES ± 0.2		CHK'D: GGA								2025/09/22	
1 PLACE ± 0.2		APPR: GGA		INITIAL REVISION:		DOCUMENT NUMBER		DOC TYPE			
0 PLACES ± 0.2		DRWN: TGREGORI		2018/02/16		2059710000-SD		PSD			
DRAFT WHERE APPLICABLE MUST REMAIN WITHIN DIMENSIONS		THIRD ANGLE PROJECTION		DRAWING		SERIES		MATERIAL NUMBER			
		A3-SIZE		205971		SEE TABLE		CUSTOMER			
						GENERAL		SHEET NUMBER			
						2 OF 5					

CASE OF WITHOUT COVER TAPE



CASE OF WITH COVER TAPE



8.0	13.0	8
	11.0	7
	9.5	6
6.0	7.5	5
	5.5	4
4.5	4.4	3
	3.1	2
H	G	極数 CIRCUIT SIZE

THIS DRAWING CONTAINS INFORMATION THAT IS PROPRIETARY TO MOLEX ELECTRONIC TECHNOLOGIES, LLC AND SHOULD NOT BE USED WITHOUT WRITTEN PERMISSION

DIMENSION UNITS <b>mm</b>	SCALE <b>NTS</b>	CURRENT REV DESC: REMOVED OBSOLETE PART NUMBER AS PER PCN#517153	
GENERAL TOLERANCES (UNLESS SPECIFIED)		EC NO: 834848	
ANGULAR TOL ± 3.0 °		DRWN: P1	2025/08/29
4 PLACES ± 0.2	3 PLACES ± 0.2	CHK'D: GGA	2025/09/22
2 PLACES ± 0.2	1 PLACE ± 0.2	APPR: GGA	2025/09/22
0 PLACES ± 0.2	INITIAL REVISION:		DOCUMENT NUMBER
DRAFT WHERE APPLICABLE MUST REMAIN WITHIN DIMENSIONS		DRWN: TGREGORI	2018/02/16
THIRD ANGLE PROJECTION		APPR: SAKIYAMA	2020/07/10
DRAWING <b>A3-SIZE</b>	SERIES <b>205971</b>	MATERIAL NUMBER SEE TABLE	CUSTOMER GENERAL
SHEET NUMBER <b>3 OF 5</b>		DOC TYPE <b>PSD</b>	

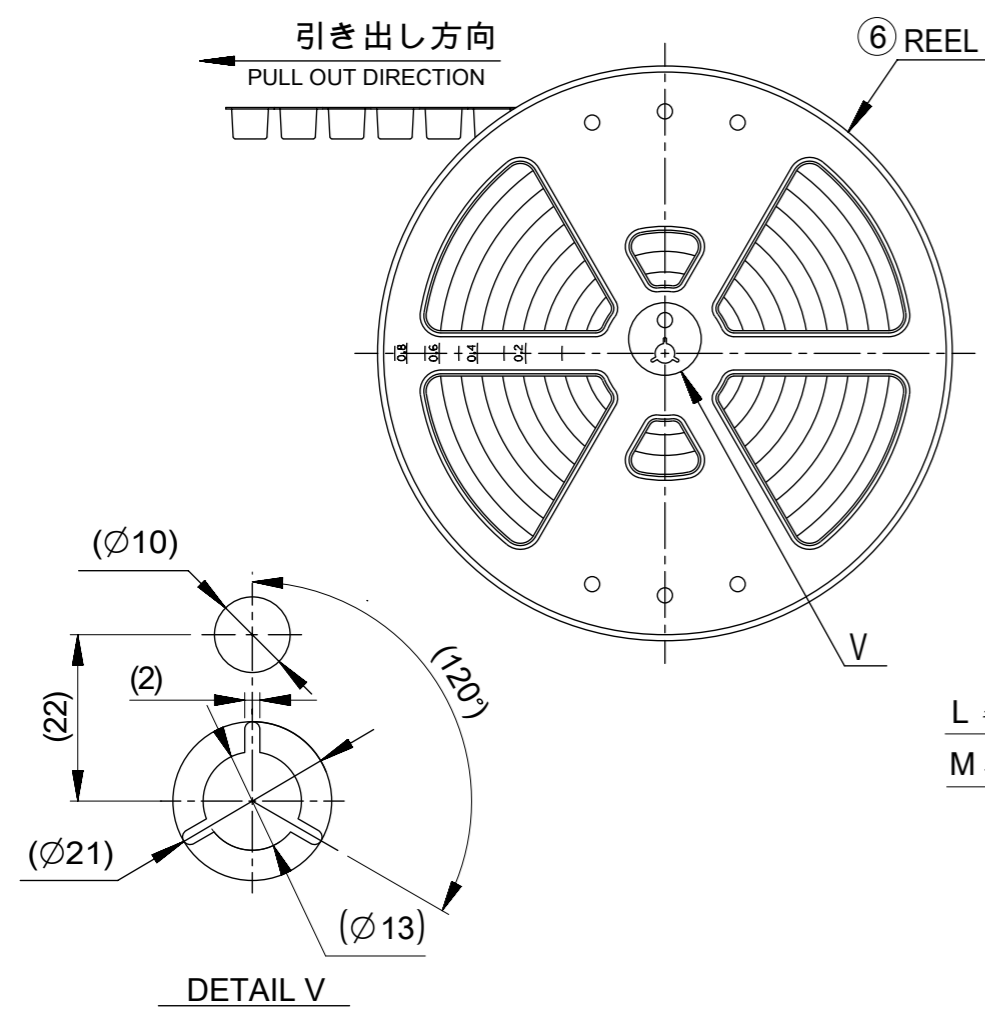
**molex**

MICRO-ONE 2.0W/B HEAD ASSEMBLY VERTICAL

PRODUCT CUSTOMER DRAWING

2059710000-SD

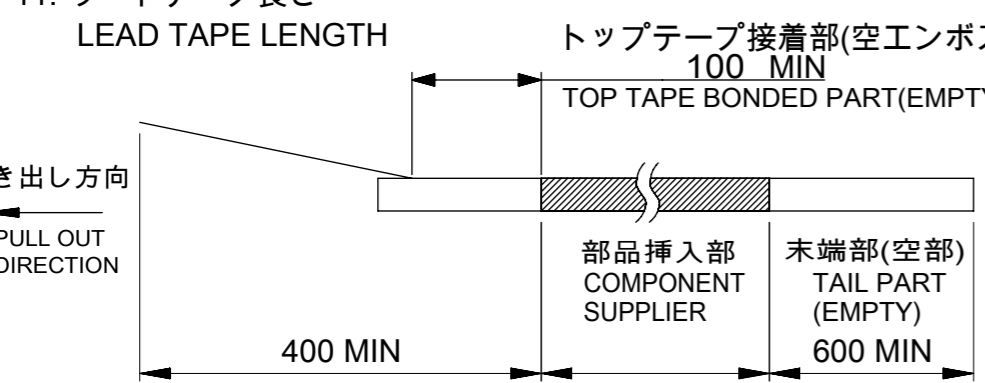
000 C1



**NOTES**

10. 梱包数量 : 500個/リール  
NUMBER OF CONNECTORS : 500 PIECES/REEL

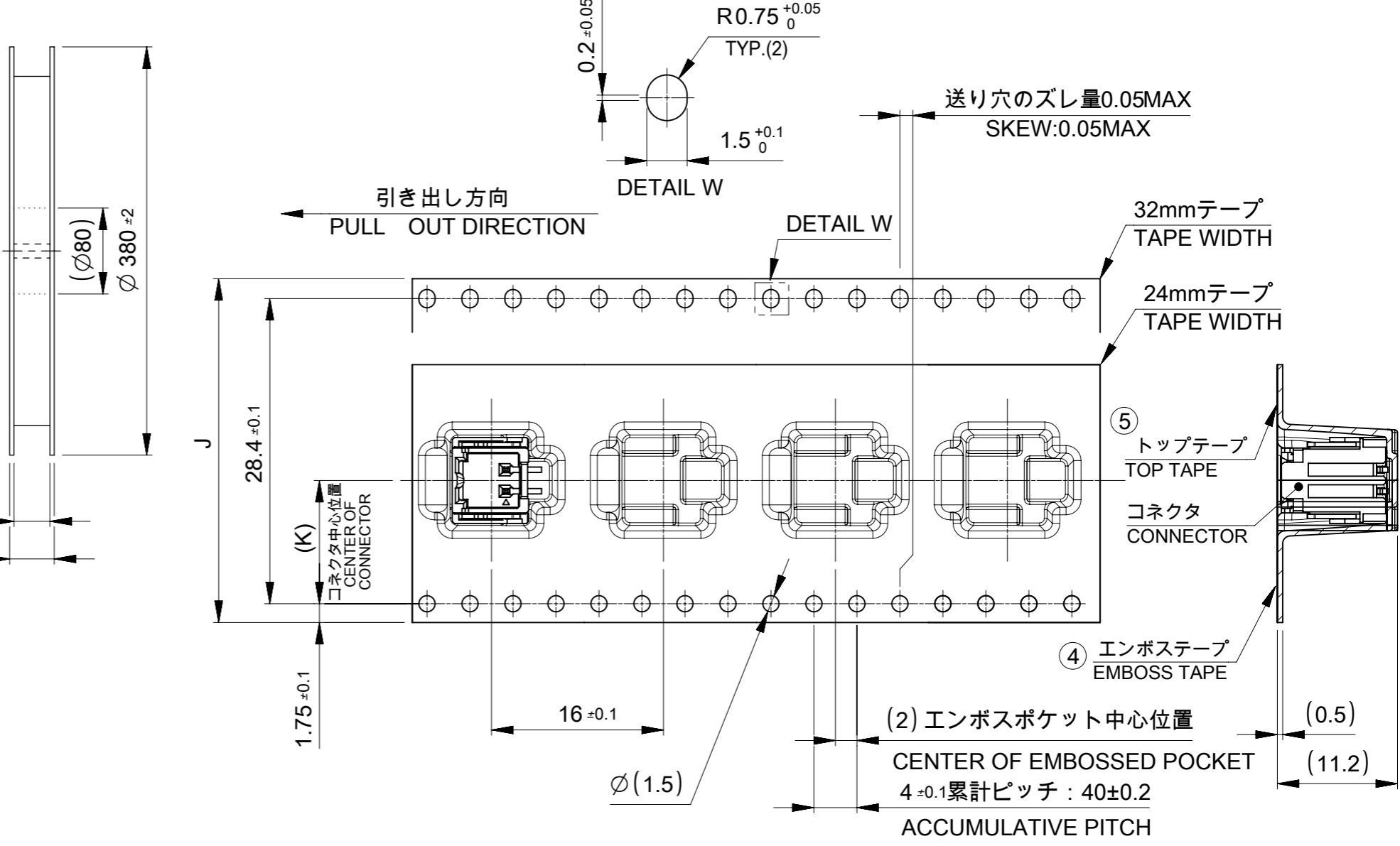
11. リードテープ長さ  
LEAD TAPE LENGTH



12. トップテープの剥離強度はIEC60286-3に準拠。  
TOP TAPE PEELING FORCE IS DEFINED BY IEC60286-3.

13. 梱包仕様書 : 2059719200-SPK 200  
PACKAGING SPECIFICATION: 2059719200-SPK 200

番号 NO.	部品 PART	材質 MATERIAL
④	エンボステープ EMBOSS TAPE	ポリスチレン(PS)、その他 POLYSTYRENE(PS), etc
⑤	トップテープ TOP TAPE	ポリエチレン(PE)、その他 POLYETHYLENE(PE), etc
⑥	リール REEL	ポリスチレン(PS) <リサイクル材を含む> POLYSTYRENE(PS) <RECYCLE MATERIAL CONTAINED>



14. 発注番号 : SHEET 5 参照  
ORDER No. : PLEASE REFER TO SHEET 5 FOR PRODUCT LIST.

**205971 0 \* \* \***

極数  
CIRCUIT SIZE

0 : カバーテープなし NATURAL(BEIGE) WITHOUT COVER TAPE NATURAL(BEIGE)
1 : カバーテープなし BLACK WITHOUT COVER TAPE BLACK
2 : カバーテープあり NATURAL(BEIGE) WITH COVER TAPE NATURAL(BEIGE)
3 : カバーテープあり BLACK WITH COVER TAPE BLACK

37.5	33.5	14.2	32±0.3	8
				7
				6
				5
29.5	25.5	11.5	24 <sup>+0.3</sup> <sub>-0.1</sub>	4
				3
				2
M	L	K	エンボステープ幅 J WIDTH OF TEPE	極数 CIRCUIT SIZE

THIS DRAWING CONTAINS INFORMATION THAT IS PROPRIETARY TO MOLEX ELECTRONIC TECHNOLOGIES, LLC AND SHOULD NOT BE USED WITHOUT WRITTEN PERMISSION

DIMENSION UNITS: mm SCALE: NTS

GENERAL TOLERANCES (UNLESS SPECIFIED): ANGULAR TOL ± 3.0 °

4 PLACES ± 0.2  
3 PLACES ± 0.2  
2 PLACES ± 0.2  
1 PLACE ± 0.2  
0 PLACES ± 0.2

EC NO: 834848  
DRWN: PONNAM 2025/08/29  
CHK'D: GGA 2025/09/22  
APPR: GGA 2025/09/22

INITIAL REVISION:  
DRWN: TREGORI 2018/02/16  
APPR: SAKIYAMA 2020/07/10

THIRD ANGLE PROJECTION

DRAWING: A3-SIZE SERIES: 205971 MATERIAL NUMBER: SEE TABLE CUSTOMER: GENERAL SHEET NUMBER: 4 OF 5

DOCUMENT NUMBER: 2059710000-SD DOC TYPE: PSD DOC PART: 000 REVISION: C1

**molex**

MICRO-ONE 2.0W/B HEAD ASSEMBLY VERTICAL

PRODUCT CUSTOMER DRAWING

10

9

8

7

6

5

4

3

2

1

F

F

E

E

D

D

C

C

B

B

A

A

### △製品一覧 PRODUCT LIST

WITH COVER TAPE	WITHOUT COVER TAPE	
HOUSING COLOR BLACK	HOUSING COLOR BLACK	
2059710083	2059710081	8
↑ 0073	↑ 0071	7
0063	0061	6
0053	0051	5
0043	0041	4
↓ 0033	↓ 0031	3
2059710023	2059710021	2
発注番号 ORDER No.		極数
PACKAGING STYLE : EMBOSSED TAPE AND REEL		CIRCUIT SIZE

THIS DRAWING CONTAINS INFORMATION THAT IS PROPRIETARY TO MOLEX ELECTRONIC TECHNOLOGIES, LLC AND SHOULD NOT BE USED WITHOUT WRITTEN PERMISSION										
DIMENSION UNITS mm	SCALE NTS	CURRENT REV DESC: REMOVED OBSOLETE PART NUMBER AS PER PCN#517153			<b>molex</b>					
GENERAL TOLERANCES (UNLESS SPECIFIED)		EC NO: 834848								
ANGULAR TOL ± 3.0 °	4 PLACES ± 0.2		DRWN: PONNAM	2025/08/29	MICRO-ONE 2.0W/B HEAD ASSEMBLY VERTICAL					
3 PLACES ± 0.2	2 PLACES ± 0.2		CHK'D: GGA	2025/09/22	PRODUCT CUSTOMER DRAWING					
1 PLACE ± 0.2	0 PLACES ± 0.2		APPR: GGA	2025/09/22	INITIAL REVISION:		DOCUMENT NUMBER	DOC TYPE	DOC PART	REVISION
DRAFT WHERE APPLICABLE MUST REMAIN WITHIN DIMENSIONS		THIRD ANGLE PROJECTION	DRAWING	SERIES	MATERIAL NUMBER	CUSTOMER	SHEET NUMBER			
			A3-SIZE	205971	2059710000-SD	GENERAL	PSD	000	C1	5 OF 5

DOCUMENT STATUS	P1	RELEASE DATE	2025/09/22	11:13:45
-----------------	----	--------------	------------	----------