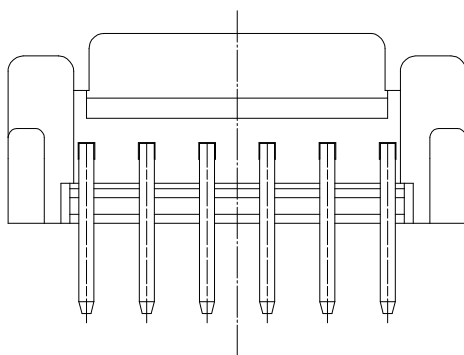
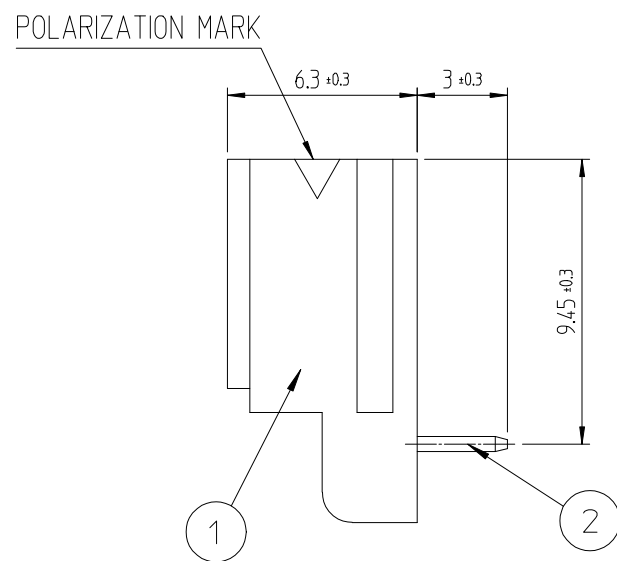
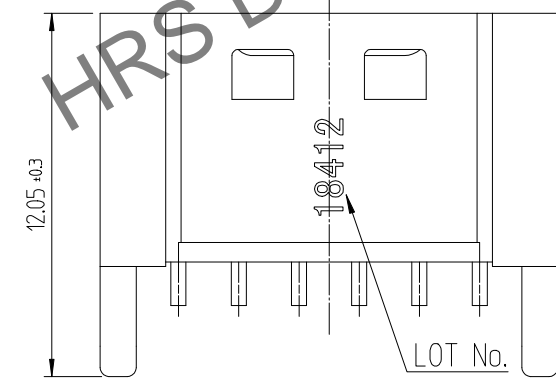
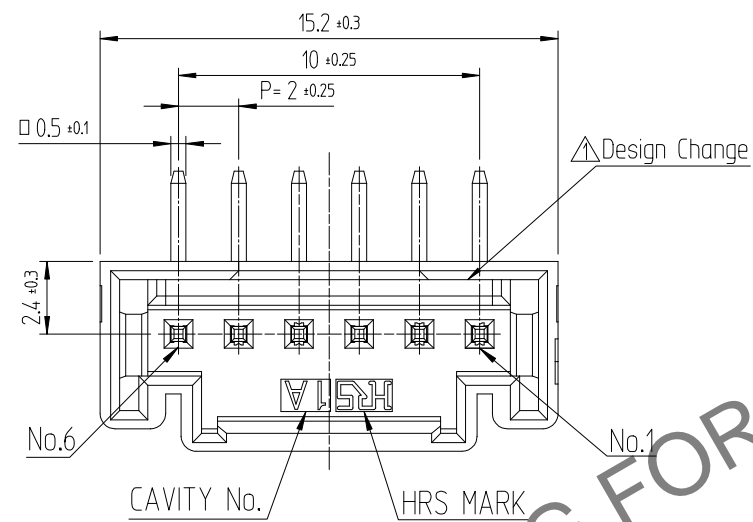


In case of consideration for using Automotive equipment / device which demand high reliability, kindly contact our sales window.

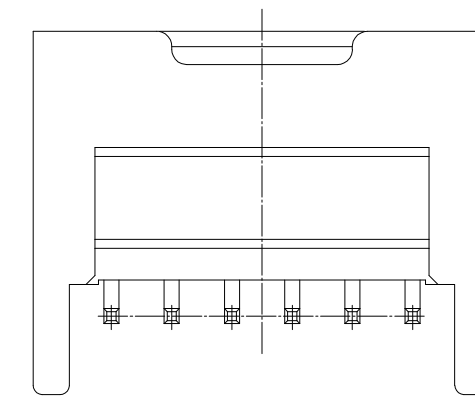
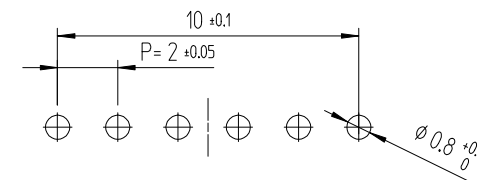


NOTE 1. 1PACK CONTAINS 200PCS.
 2. () DIMENSIONS ARE ONLY REFERENCE.
 △ 3. UL(File No. E132750) AUTHORIZATION ARTICLE.
 C-UL(File No. E132750) AUTHORIZATION ARTICLE.

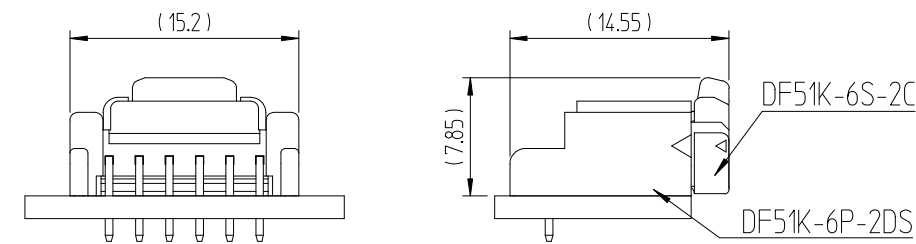


| △數 COUNT | 訂正事項 DESCRIPTION OF REVISIONS | 擔當 B Y | 檢圖 CHKD | 年月日 DATE | △數 COUNT | 訂正事項 DESCRIPTION OF REVISIONS | 擔當 B Y | 檢圖 CHKD | 年月日 DATE |
|-------------|----------------------------------|-----------|------------|-------------|-------------|----------------------------------|-----------|------------|-------------|
| 1 | RE-6-1150 | K.I.Y | L.S.M | 18. 07. 04 | | | | | |
| 2 | RE-6-1579 | K.I.Y | L.S.M | 20. 01. 23 | | | | | |
| | | | | | | | | | |

RECOMMENDED LAND PATTERN (FREE)
 (PCB THICKNESS t=1.6mm)



ENGAGEMENT FIGURE (2:1)



| | | | | | |
|----------------------------|----------|----------------|--------------------------------|-------------------------|--|
| 1 | PBT | UL94V-0, BLACK | 2 | BRASS | GOLD PLATING 0.1μm MIN, OVER NICKEL 0.5μm MIN |
| NO. | MATERIAL | FINISH,REMARKS | NO. | MATERIAL | FINISH,REMARKS |
| CODE NO. (OLD) | | | DRAWN | DESIGNED | CHECKED |
| | | | CHOI 18.03.02 J.S | CHOI 18.03.02 J.S | LIM 18.03.02 S.M |
| | | | APPROVED | RELEASED | |
| | | | KANG 18.03.02 T.S | ENG 20.02.12 DEPT | |
| DRAWING NO. EDC3-632475 | | | PART NO. DF51K-6P-2DS (805) | | |
| SCALE 4:1 | | | CODE NO. CL 6652-0059-1-805 | | |
| UNITS mm | | | HRS HIROSE KOREA CO.,LTD. | | |
| | | | 1/1 | | |