

TABLE OF CONTENTS

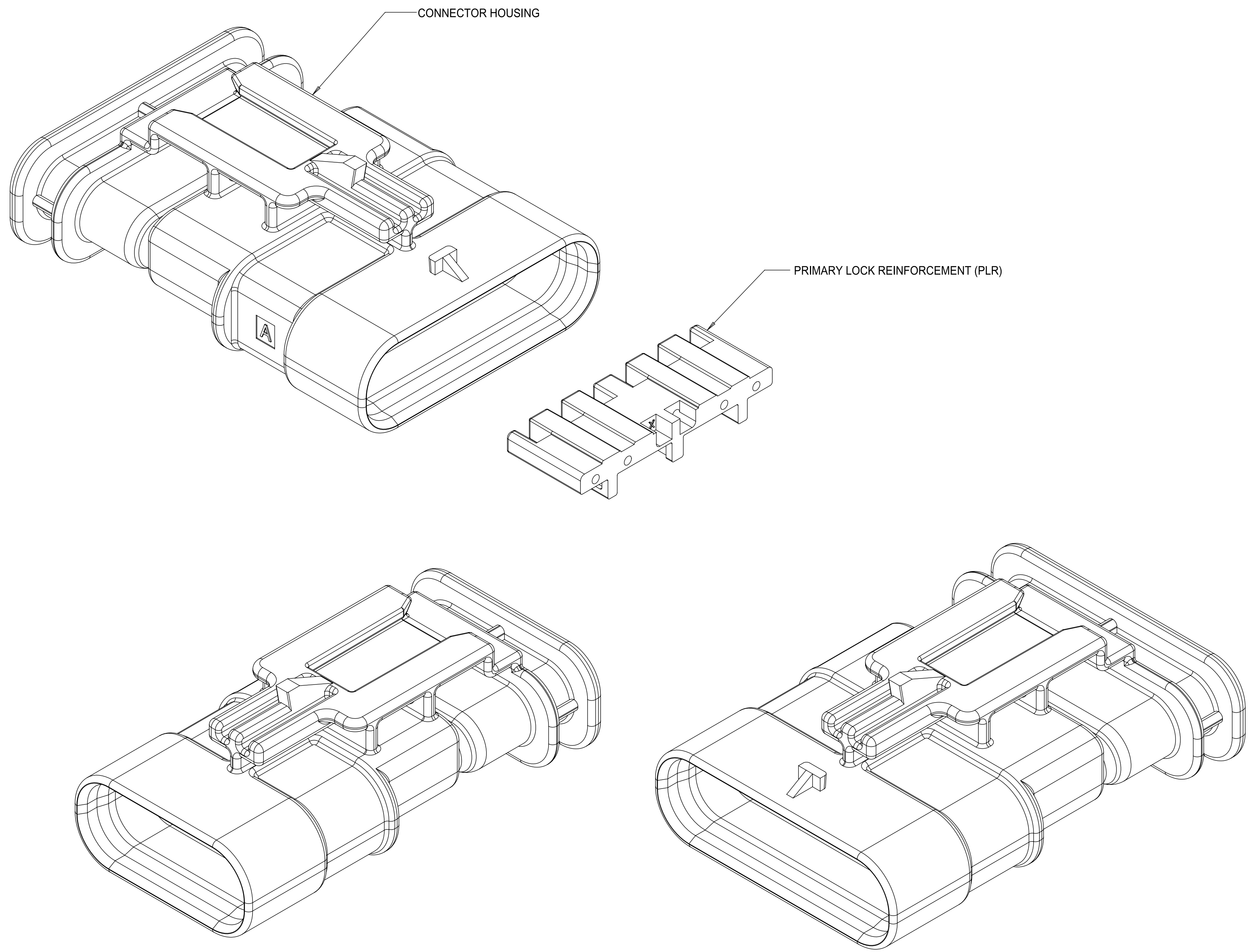
SHEET NO.	SHEET DESCRIPTION
1	NOTES
2	1x4 BLADE SEALED ASSEMBLY KEYING CONFIGURATIONS
3	1x6 BLADE SEALED ASSEMBLY KEYING CONFIGURATIONS
4	CLIP-SLOT CONFIGURATIONS
5	BLADE SEALED ASSEMBLY
6	CONNECTION SYSTEM PACKAGING
7	WIRE DRESS COVER INTERFACE OPTIONS
8	1x4 BLADE SEALED ASSEMBLY BOM INTERFACE OPTION 1
9	1x4 BLADE SEALED ASSEMBLY BOM INTERFACE OPTION 2
10	1x6 BLADE SEALED ASSEMBLY BOM INTERFACE OPTION 1
11	1x6 BLADE SEALED ASSEMBLY BOM INTERFACE OPTION 2

NOTES: VALID UNLESS OTHERWISE SPECIFIED

1. GENERAL:
 - a. APPLICATION SPECIFICATION SEE: AS-34900-0001
CONTAINS: PRODUCT INTRODUCTION, PRODUCT SUMMARY, CONNECTOR ASSEMBLY, PACKAGING INFORMATION, CONNECTOR MATING, SERVICE INSTRUCTIONS, ELECTRICAL CONTINUITY CHECKING, CRIMPING, AND TROUBLESHOOTING.
 - b. PRODUCT SPECIFICATION SEE: PS-34900-0001
CONTAINS: PRODUCT INTRODUCTION, PRODUCT SUMMARY, RATINGS (CURRENT, TEMPERATURE, SEALING, AND FLAMMABILITY), AND PRODUCT VALIDATION.
 - c. PACKAGING SPECIFICATION PER MOLEX DRAWING: PK-31301-898
 - d. PARTS MUST BE IN COMPLIANCE TO MOLEX CHEMICAL SUBSTANCES FOR PRODUCTS AND PACKAGING SPECIFICATION: QEHS-699000-301
 - e. DATA MUST BE SUBMITTED UNDER THE MOLEX PART NUMBER TO IMDS (COMPANY ID#13255)

2. DESIGN - MATERIALS:
 - a. SEE BOM TABLE

3. DESIGN - GEOMETRY:
 - a. THIS IS A 100% CAD GENERATED PART. THE CAD MATHEMATICAL DATA IS THE MASTER FOR THIS PART. FOR DIMENSIONAL OR ANY INFORMATION NOT SHOWN ON THIS DRAWING, ANALYZE THE CAD MODEL.
 - b. GEOMETRIC DIMENSIONS AND TOLERANCES PER ASME Y14.5M - 1994
 - c. EDGES AND UNDIMENSIONED DETAILS PER ISO13715
 - d. CORNERS SHOWN AS SHARP TO BE R 0.2 MAX.
 - e. LETTERING SHALL BE 0.15 MAX RAISED IN 0.25 MAX RECESS PAD. THIS INCLUDES RECYCLING CODE, CAVITY ID, VENDOR IDENTIFICATION, AND CUSTOMER MATERIAL NUMBER.
 - f. VISUAL DEFECTS SHALL MEET COSMETIC STANDARD PS-45499-002 (Class B) CAD MODEL.
 - g. LASER MARKING:
 1. PART NUMBER
 2. DAY OF THE YEAR
 3. SHIFT
 4. YEAR



1x4 BLADE SEALED ASSEMBLY

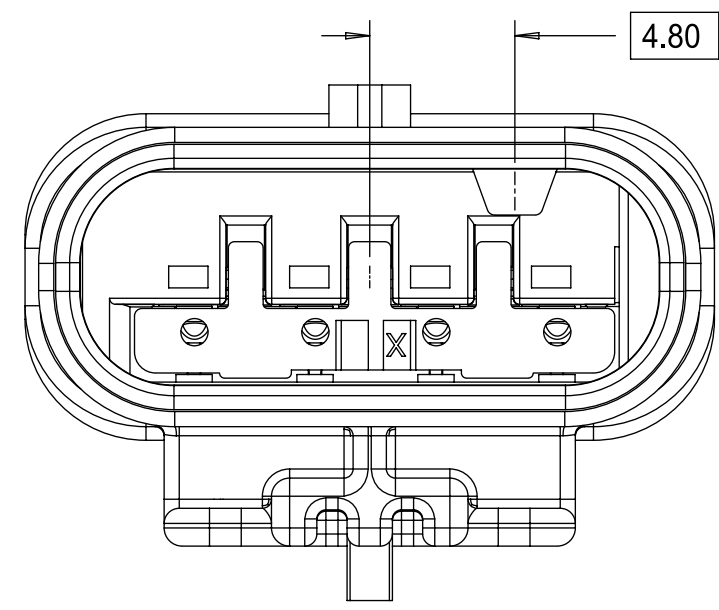
1x6 BLADE SEALED ASSEMBLY

D	ADDED BLUE RESIN HOUSING PART NUMBERS & UPDATED THE DIMENSIONS WDC2-7 & WDC2-10
C1	MINOR BOM UPDATE-OBSOLETE PART NUMBER
C	OBSOLETE PART NUMBER
B17	ADDED NOTE ON SHARKFIN PRESENCE
B16	NX-REMASTERING FROM MODEL MANAGER CHANGED PN STATUSES TO OBSOLETE
B15	UPDATED BALLOONS 2-1 & 2-2 ON SHEET 7
B14	UPDATED PARTS TO SALEABLE
B13	RELEASED PRIMARY KEYS NON-SIR SALEABLE
B12	UPDATED PLR LOCK UP GEOMETRY
B11	UPDATED WDC INTERFACE PART# TO TOOLED BUT NOT VALIDATED
B10	UPDATED TOLERANCES WDC FEATURES
B9	1X4, 1X6 PART # WIRE DRESS COVER INTERFACE FEATURES OK TO TOOL
B8	1X4 40G CLIP-SLOT OK TO TOOL
B7	1X4 PART # UPDATED TO "TOOLED BUT NOT VALIDATED"
B6	ADDED 40G CLIP-SLOT PART NUMBERS
B5	BOM CORRECTIONS AND UPDATES
B4	BOM CORRECTIONS AND UPDATES
B3	1x4, 1x6 NON-SIR PART# OK TO TOOL
B2	1x6 11mm CLIP SLOT PART # OK TO TOOL
B1	1x6 11mm CLIP SLOT PART NUMBERS ADDED
B	ADDED 1x4 INFORMATION
A	OK TO TOOL
REV	DESCRIPTION

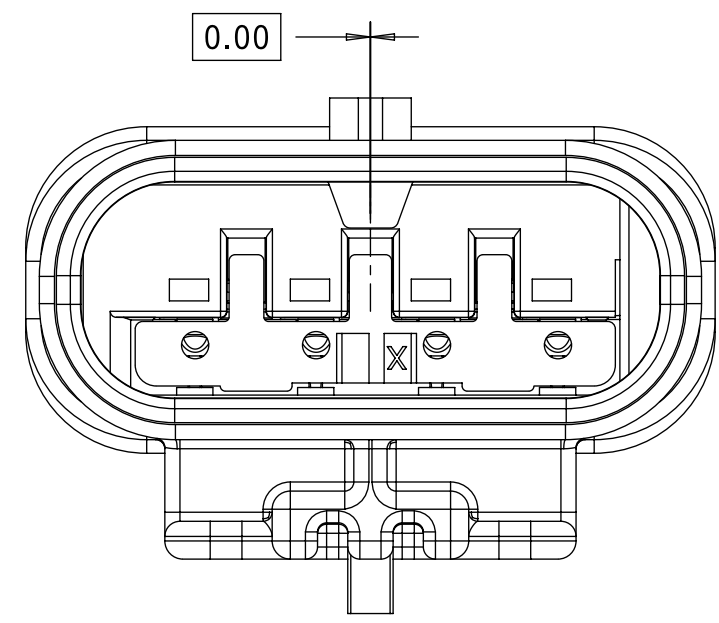
INSPECTION BALLOON NUMBER LOG	
PER DRAWING REVISION: B12	
LAST BALLOON NUMBER USED: WDC2-10	
ADDED BALLON NUMBERS: WDC2-1 - WDC2-10	
REMOVED BALLON NUMBERS:	

THIS DRAWING CONTAINS INFORMATION THAT IS PROPRIETARY TO MOLEX ELECTRONIC TECHNOLOGIES, LLC AND SHOULD NOT BE USED WITHOUT WRITTEN PERMISSION									
DIMENSION UNITS mm		SCALE 4:1		CURRENT REV DESC: ADDED BLUE RESIN HOUSING PN'S & UPDATED THE DIM'S WDC2-7 & WDC2-10					
GENERAL TOLERANCES (UNLESS SPECIFIED)				EC NO: CO-000027050 DRWN: Manikya MD 20-Feb-2025 CHK'D: Abhishek Gajare 26-Jun-2025 APPR: sandes13 26-Jun-2025 INITIAL REVISION: DRWN: MVANSLAMBROU 2012/07/13 APPR: VKOSHY 2012/07/24					
ANGULAR TOL		± 3°							
4 PLACES		± 0							
3 PLACES		± 0							
2 PLACES		± 0.1							
1 PLACE		± 0.2							
0 PLACES		± 0.5		DRAFT WHERE APPLICABLE MUST REMAIN WITHIN DIMENSIONS THIRD ANGLE PROJECTION DRAWING: D-SIZE SERIES: 34899					
DOCUMENT NUMBER		DOC TYPE		DOC PART		REVISION			
SD-34899-6001		PSD		001		D			
MATERIAL NUMBER		CUSTOMER		SHEET NUMBER					
SEE TABLE		GENERAL MARKET		1 OF 11					

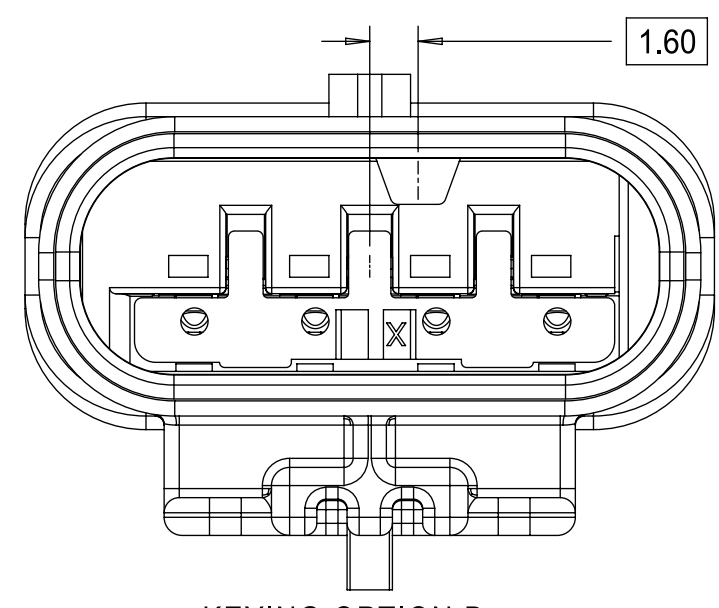
1x4 BLADE SEALED ASSEMBLY KEYING CONFIGURATIONS. FOR PART NUMBERS REFER TO BOM SHEET.



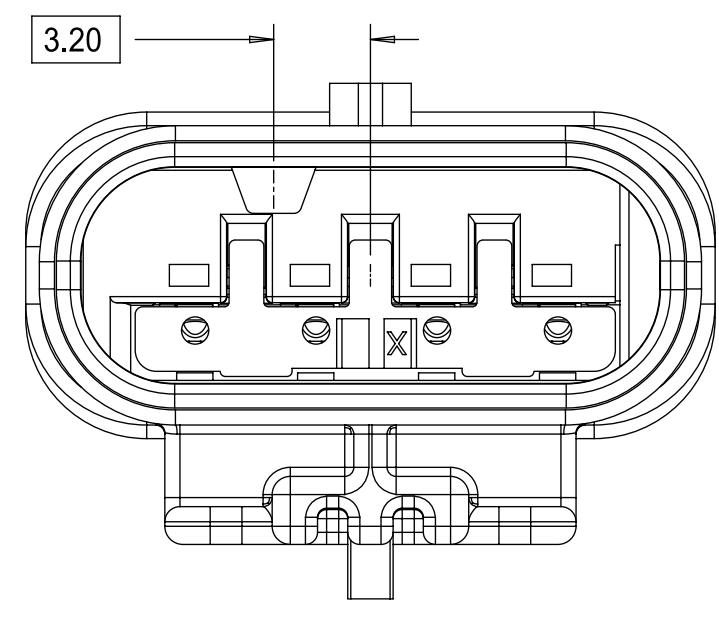
KEYING OPTION A



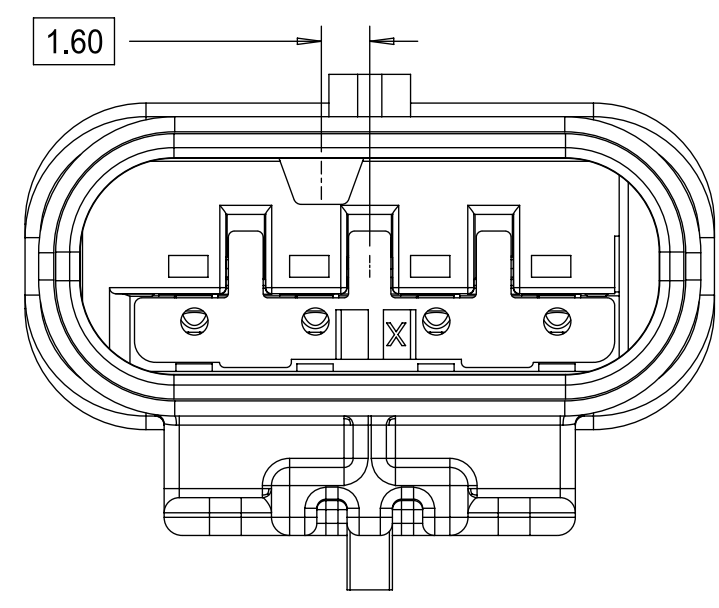
KEYING OPTION F



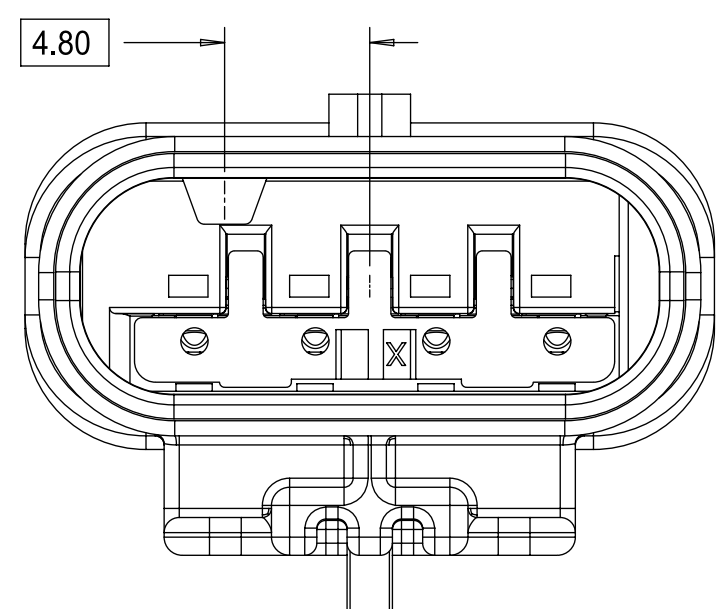
KEYING OPTION B



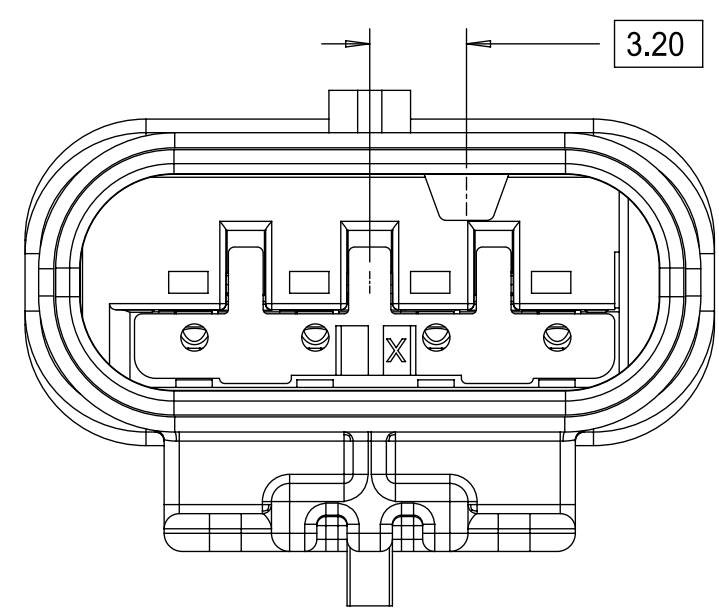
KEYING OPTION G



KEYING OPTION C



KEYING OPTION D



KEYING OPTION E

THIS DRAWING CONTAINS INFORMATION THAT IS PROPRIETARY TO MOLEX ELECTRONIC TECHNOLOGIES, LLC AND SHOULD NOT BE USED WITHOUT WRITTEN PERMISSION

DIMENSION UNITS: mm
SCALE: 4:1

CURRENT REV DESC: ADDED BLUE RESIN HOUSING PN'S & UPDATED THE DIM'S WDC2-7 & WDC2-10

GENERAL TOLERANCES (UNLESS SPECIFIED)

ANGULAR TOL	±	3°
4 PLACES	±	0
3 PLACES	±	0
2 PLACES	±	0.1
1 PLACE	±	0.2
0 PLACES	±	0.5

EC NO: CO-000027050
DRWN: Manikya MD 20-Feb-2025
CHK'D: Abhishek Gajare 26-Jun-2025
APPR: sandes13 26-Jun-2025

INITIAL REVISION:
DRWN: MVANSLAMBROU 2012/07/13
APPR: VKOSHY 2012/07/24

molex

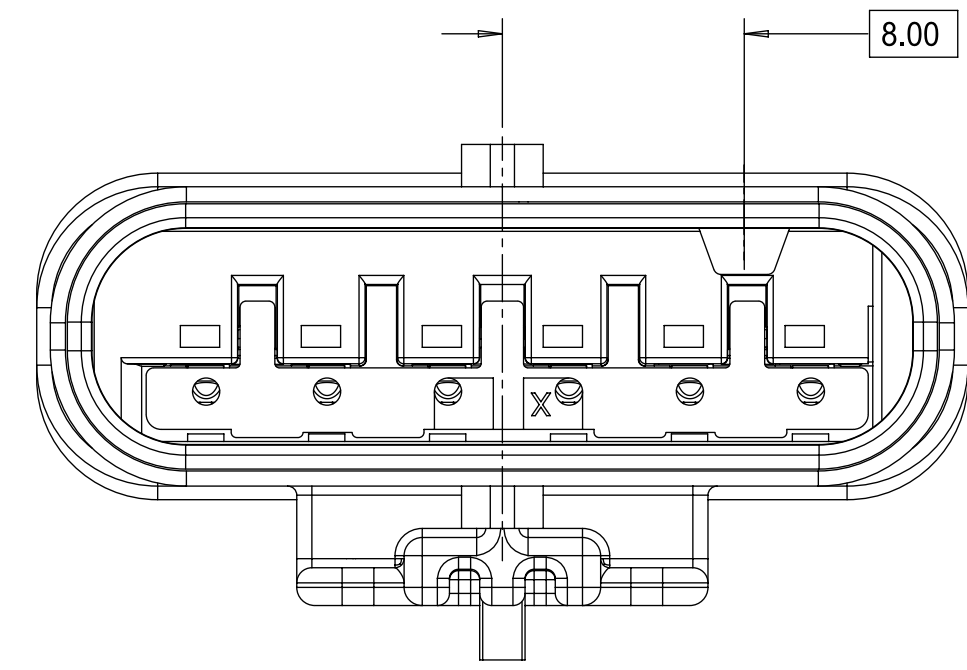
1.2MM 1X4, 1X6 BLADE
SEALED ASSEMBLY CABLE SEAL 639764 -
REMOVED CPA3 AND REPLACED WITH CPA2
AGAIN 64

PRODUCT CUSTOMER DRAWING

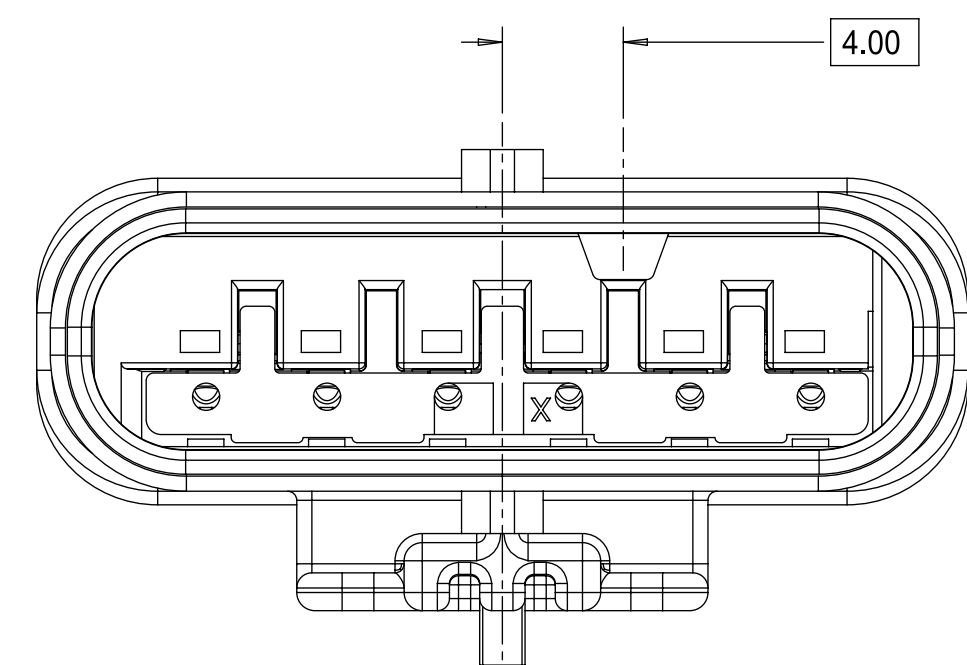
DOCUMENT NUMBER	DOC TYPE	DOC PART	REVISION
SD-34899-6001	PSD	001	D

DRAFT WHERE APPLICABLE MUST REMAIN WITHIN DIMENSIONS	THIRD ANGLE PROJECTION	DRAWING	SERIES	MATERIAL NUMBER	CUSTOMER	SHEET NUMBER
		D-SIZE	34899	SEE TABLE	GENERAL MARKET	2 OF 11

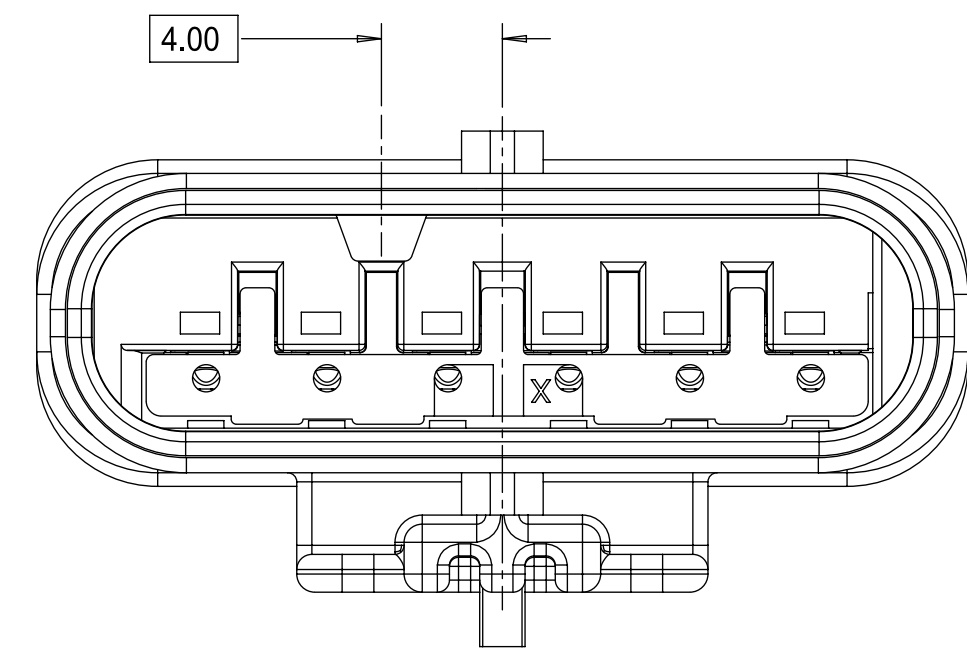
1x6 BLADE SEALED ASSEMBLY KEYING CONFIGURATIONS. FOR PART NUMBERS REFER TO BOM SHEET.



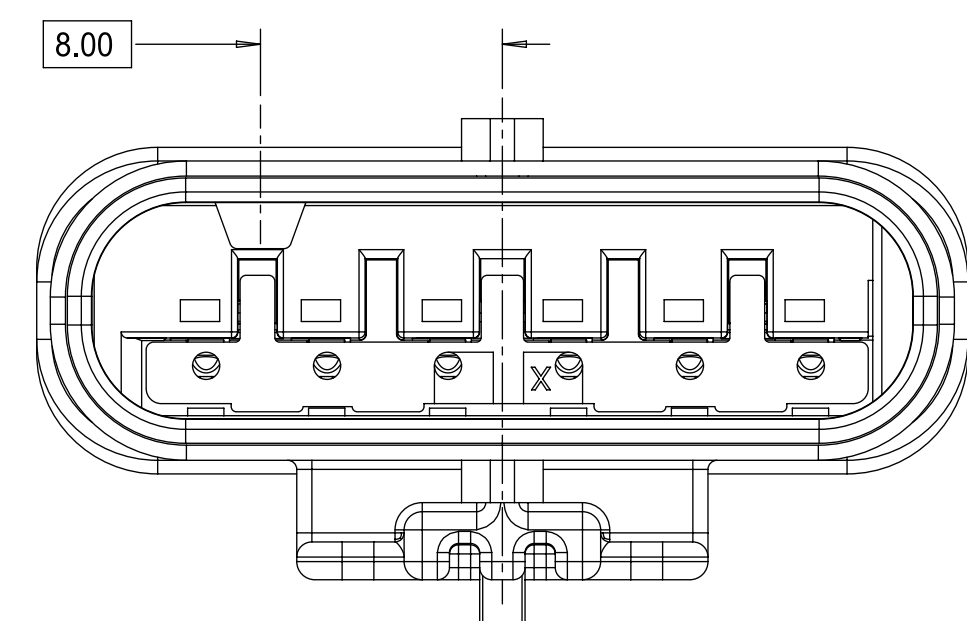
KEYING OPTION A



KEYING OPTION B



KEYING OPTION C



KEYING OPTION D

THIS DRAWING CONTAINS INFORMATION THAT IS PROPRIETARY TO MOLEX ELECTRONIC TECHNOLOGIES, LLC AND SHOULD NOT BE USED WITHOUT WRITTEN PERMISSION

DIMENSION UNITS: mm
SCALE: 4:1

CURRENT REV DESC: ADDED BLUE RESIN HOUSING
PN'S & UPDATED THE DIM'S WDC2-7 & WDC2-10

GENERAL TOLERANCES (UNLESS SPECIFIED)

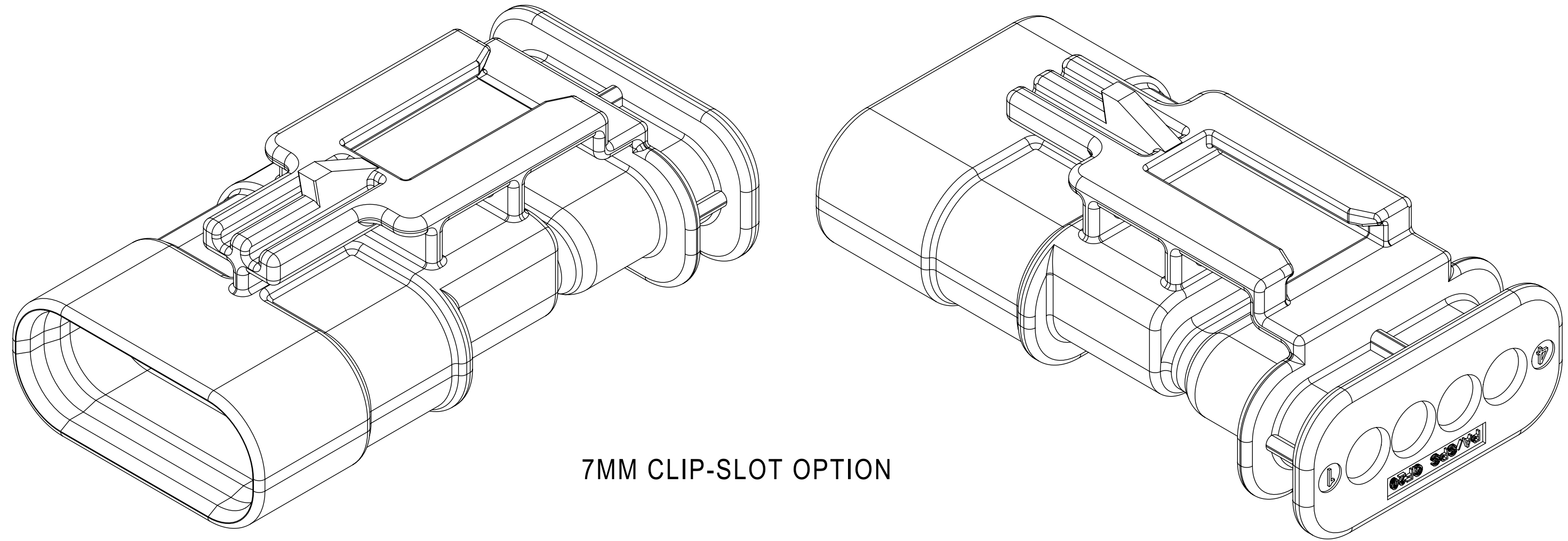
ANGULAR TOL	±	3°
4 PLACES	±	0
3 PLACES	±	0
2 PLACES	±	0.1
1 PLACE	±	0.2
0 PLACES	±	0.5

EC NO: CO-000027050
DRWN: Manikya MD 20-Feb-2025
CHK'D: Abhishek Gajare 26-Jun-2025
APPR: sandes13 26-Jun-2025

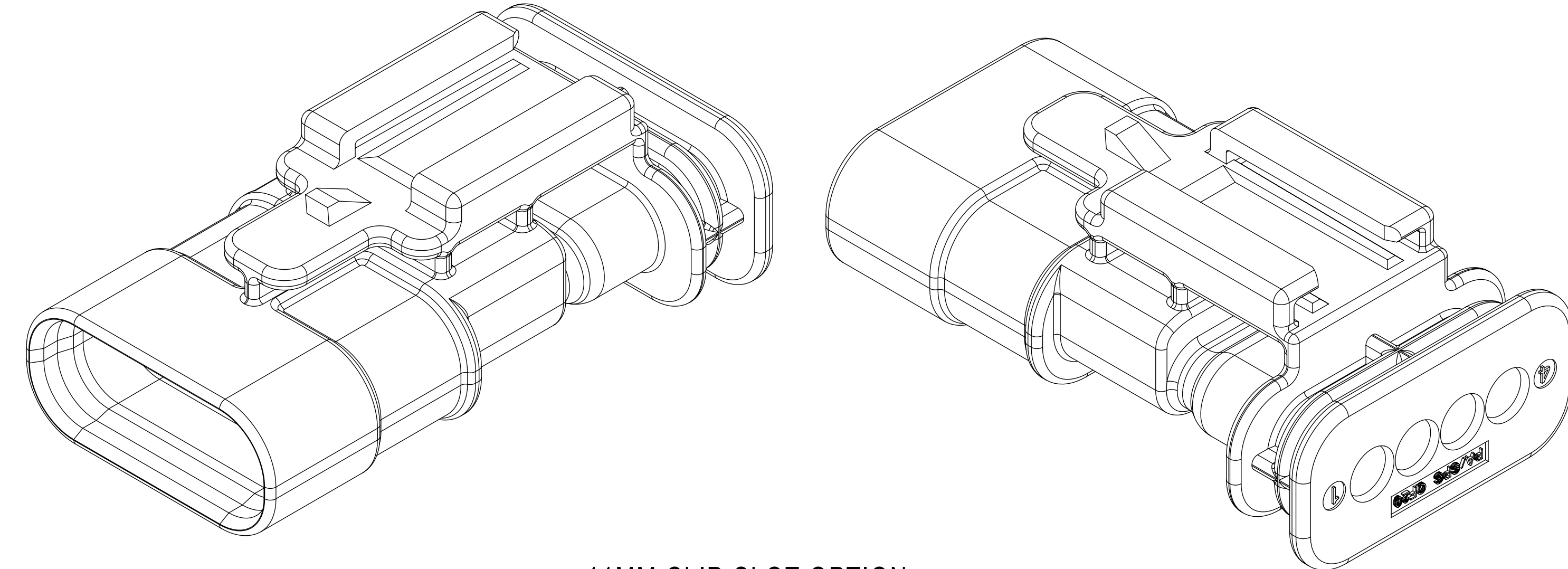
INITIAL REVISION:
DRWN: MVANSLAMBROU 2012/07/13
APPR: VKOSHY 2012/07/24

molex			
1.2MM 1X4, 1X6 BLADE SEALED ASSEMBLY CABLE SEAL 639764 - REMOVED CPA3 AND REPLACED WITH CPA2 AGAIN 64			
PRODUCT CUSTOMER DRAWING			
DOCUMENT NUMBER	DOC TYPE	DOC PART	REVISION
SD-34899-6001	PSD	001	D
MATERIAL NUMBER	CUSTOMER	SHEET NUMBER	
SEE TABLE	GENERAL MARKET	3 OF 11	

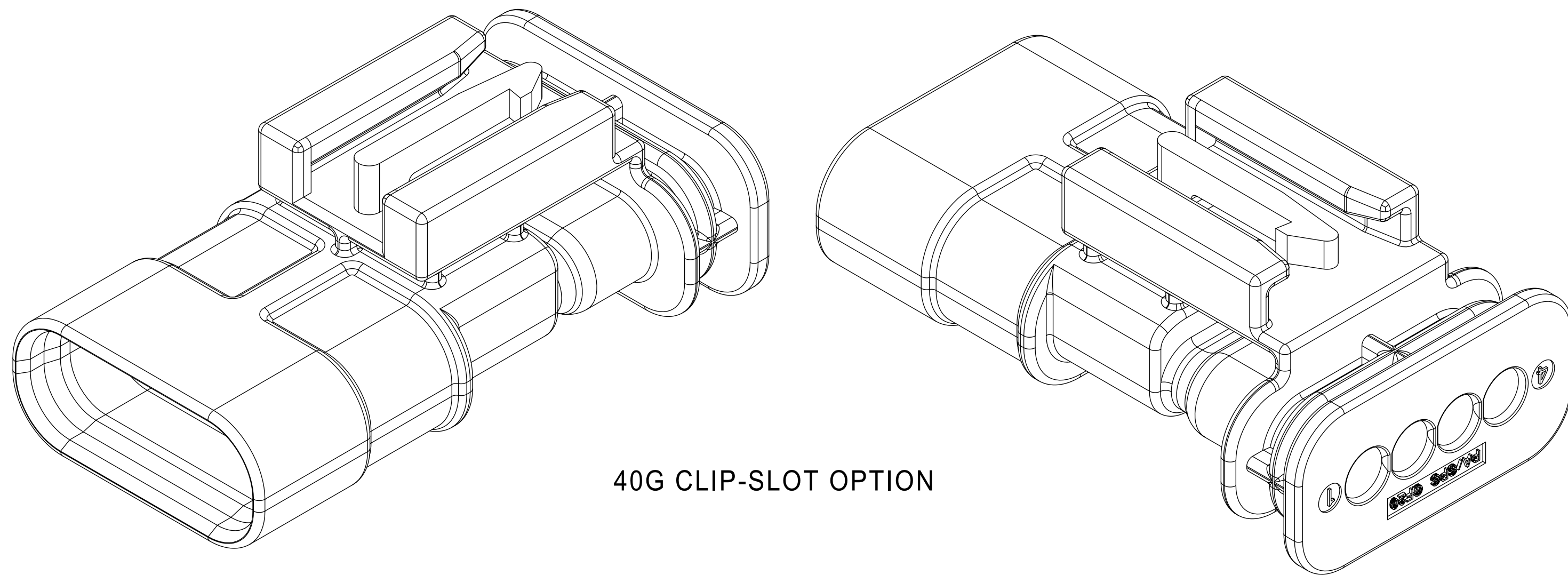
CLIP-SLOT CONFIGURATIONS. FOR PART NUMBERS REFER TO BOM SHEET.



7MM CLIP-SLOT OPTION



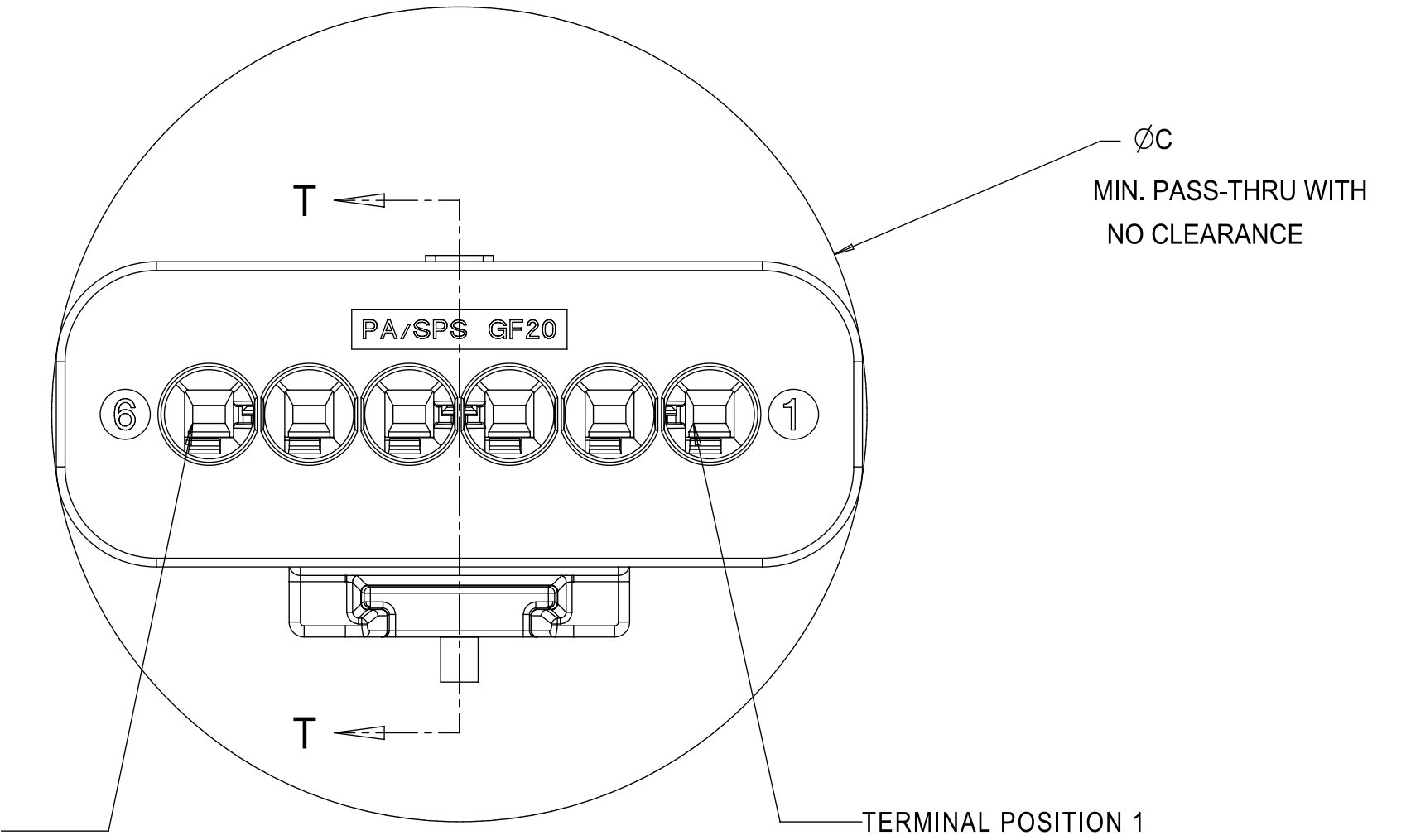
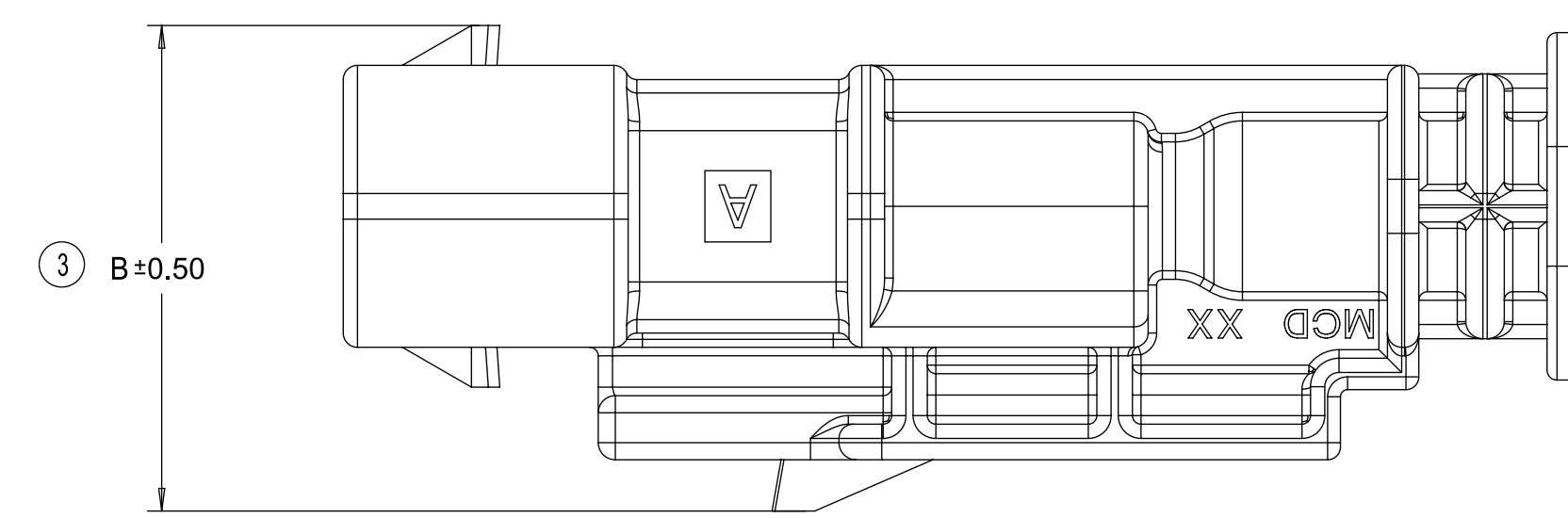
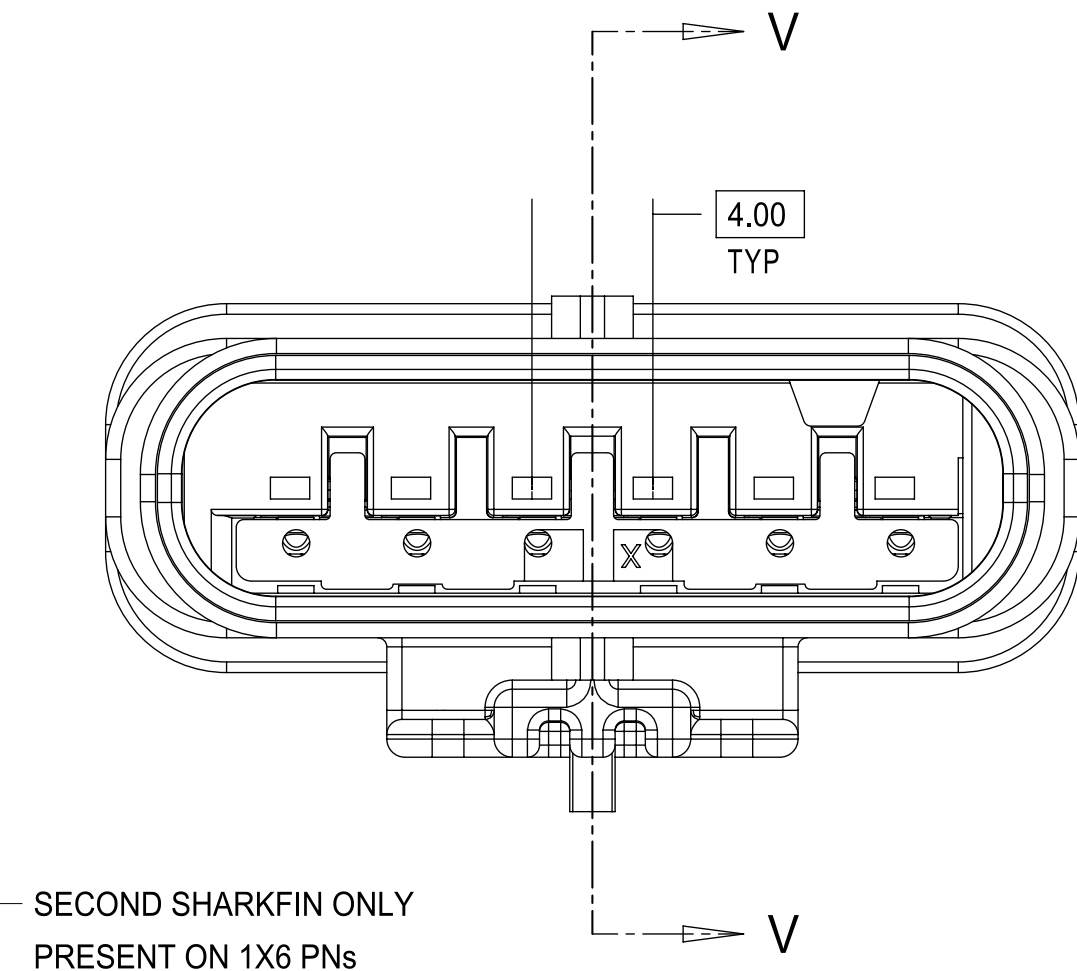
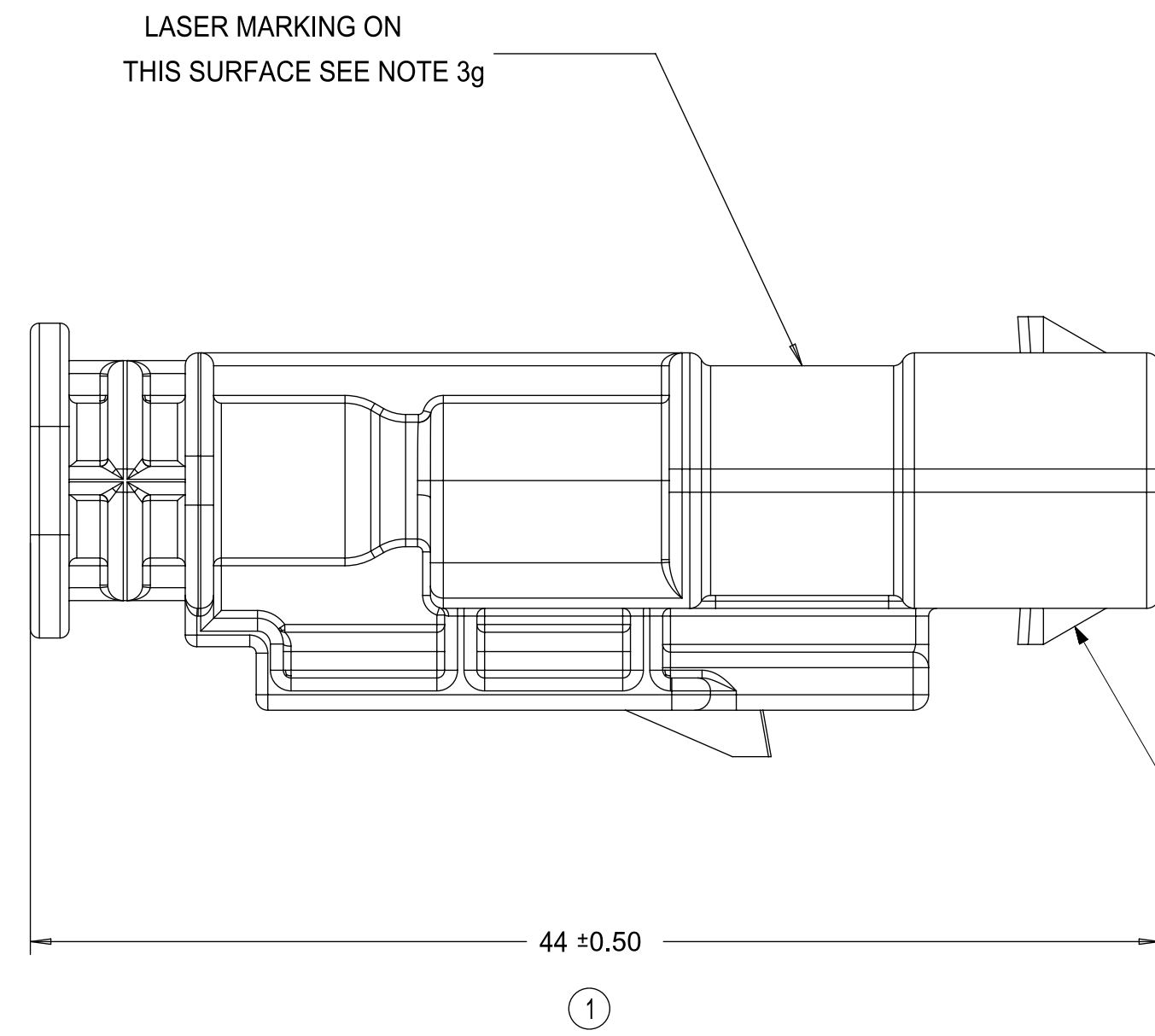
11MM CLIP-SLOT OPTION



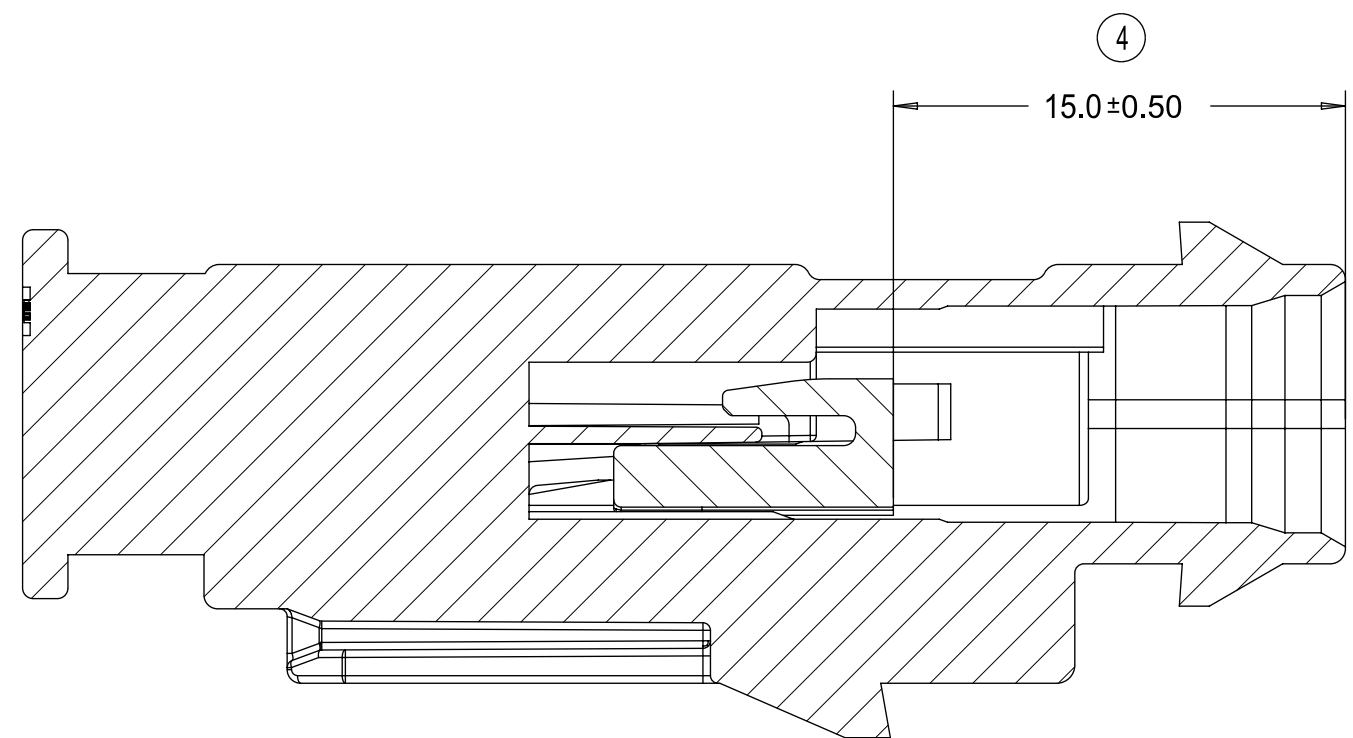
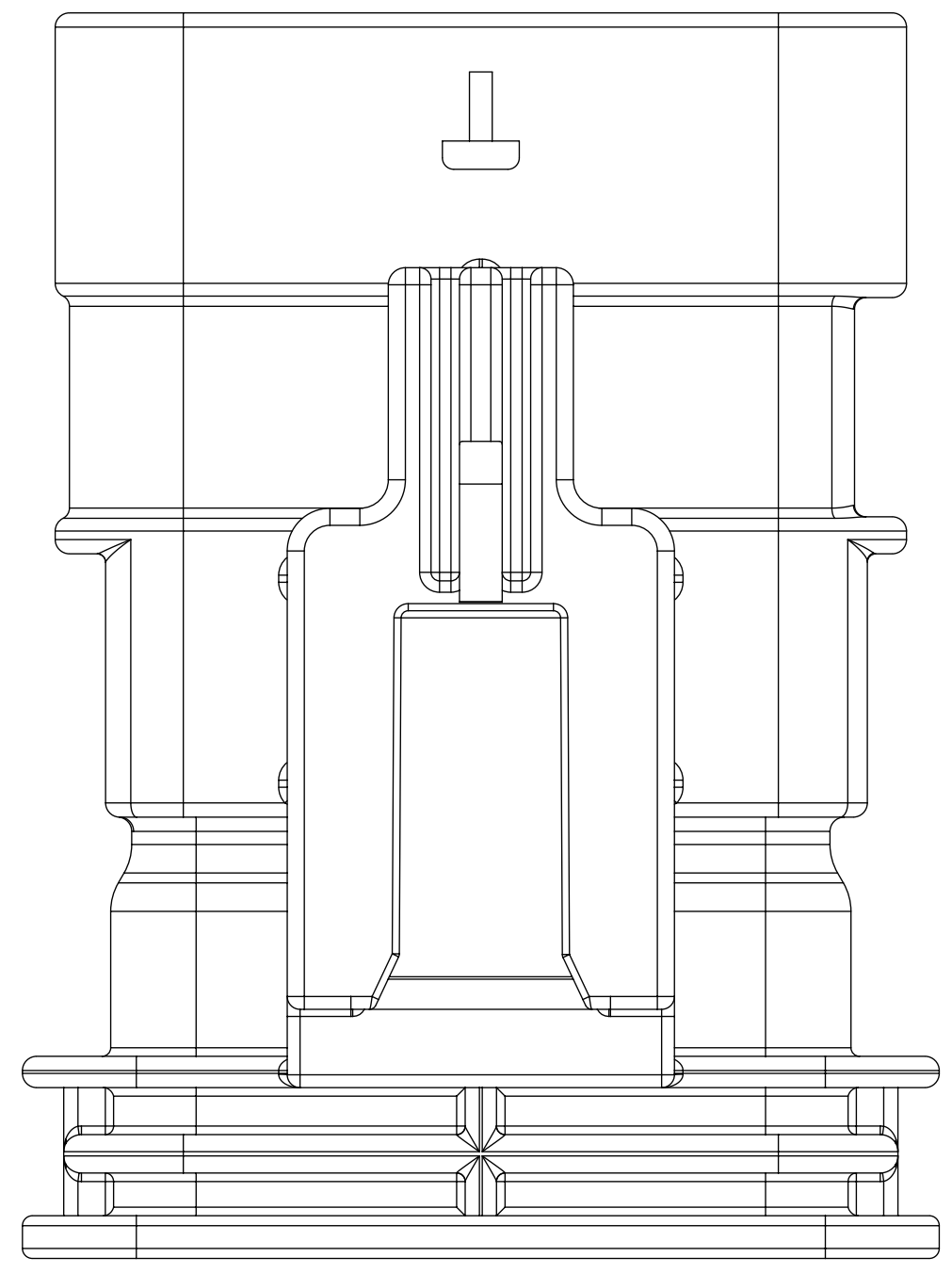
40G CLIP-SLOT OPTION

THIS DRAWING CONTAINS INFORMATION THAT IS PROPRIETARY TO MOLEX ELECTRONIC TECHNOLOGIES, LLC AND SHOULD NOT BE USED WITHOUT WRITTEN PERMISSION											
DIMENSION UNITS		SCALE		CURRENT REV DESC: ADDED BLUE RESIN HOUSING P/N'S & UPDATED THE DIM'S WDC2-7 & WDC2-10							
mm		4:1		<p>molex</p> <p>1.2MM 1X4, 1X6 BLADE SEALED ASSEMBLY CABLE SEAL 639764 - REMOVED CPA3 AND REPLACED WITH CPA2 AGAIN 64</p> <p>PRODUCT CUSTOMER DRAWING</p>							
GENERAL TOLERANCES (UNLESS SPECIFIED)											
ANGULAR TOL ± 3°											
4 PLACES ± 0		EC NO: CO-000027050									
3 PLACES ± 0		DRWN: Manikya MD 20-Feb-2025									
2 PLACES ± 0.1		CHK'D: Abhishek Gajare 26-Jun-2025									
1 PLACE ± 0.2		APPR: sandes13 26-Jun-2025									
0 PLACES ± 0.5		INITIAL REVISION:		DOCUMENT NUMBER							
DRAFT WHERE APPLICABLE		THIRD ANGLE PROJECTION		DRAWING		SERIES		MATERIAL NUMBER		CUSTOMER	
MUST REMAIN WITHIN DIMENSIONS				D-SIZE		34899		SEE TABLE		GENERAL MARKET	
DRWN: MVANSLAMBROU 2012/07/13				APPR: VKOSHY 2012/07/24		SD-34899-6001		PSD 001		D	
SHEET NUMBER				4 OF 11							

BLADE SEALED ASSEMBLY

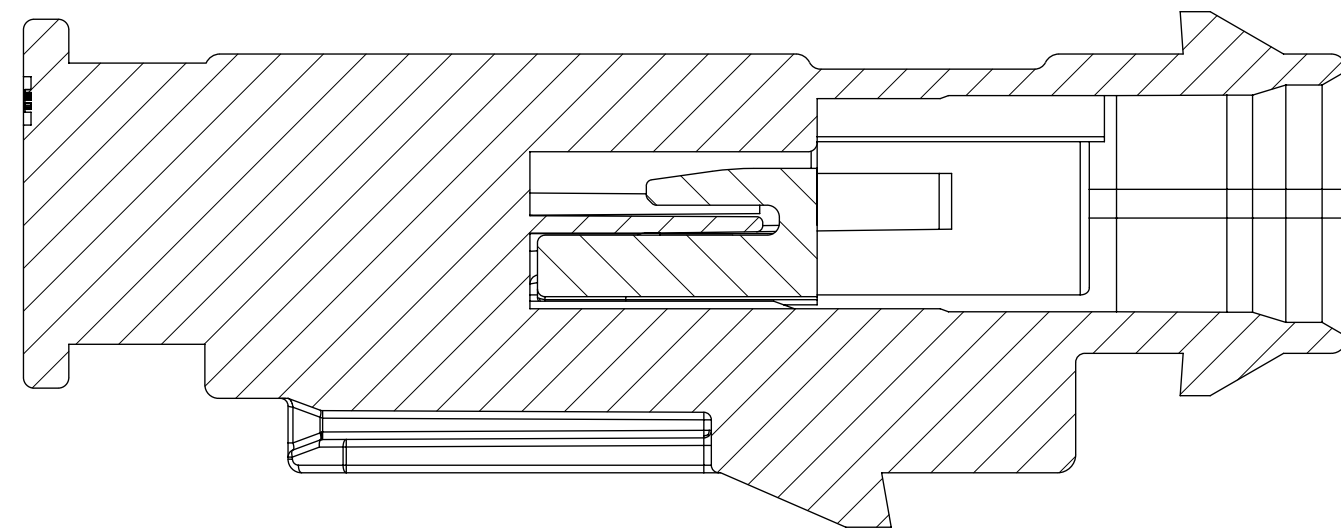


SECOND SHARKFIN ONLY PRESENT ON 1X6 PNs



SECTION V-V

PRIMARY LOCK REINFORCEMENT (PLR) SHOWN IN THE PRE-STAGED POSITION



SECTION T-T

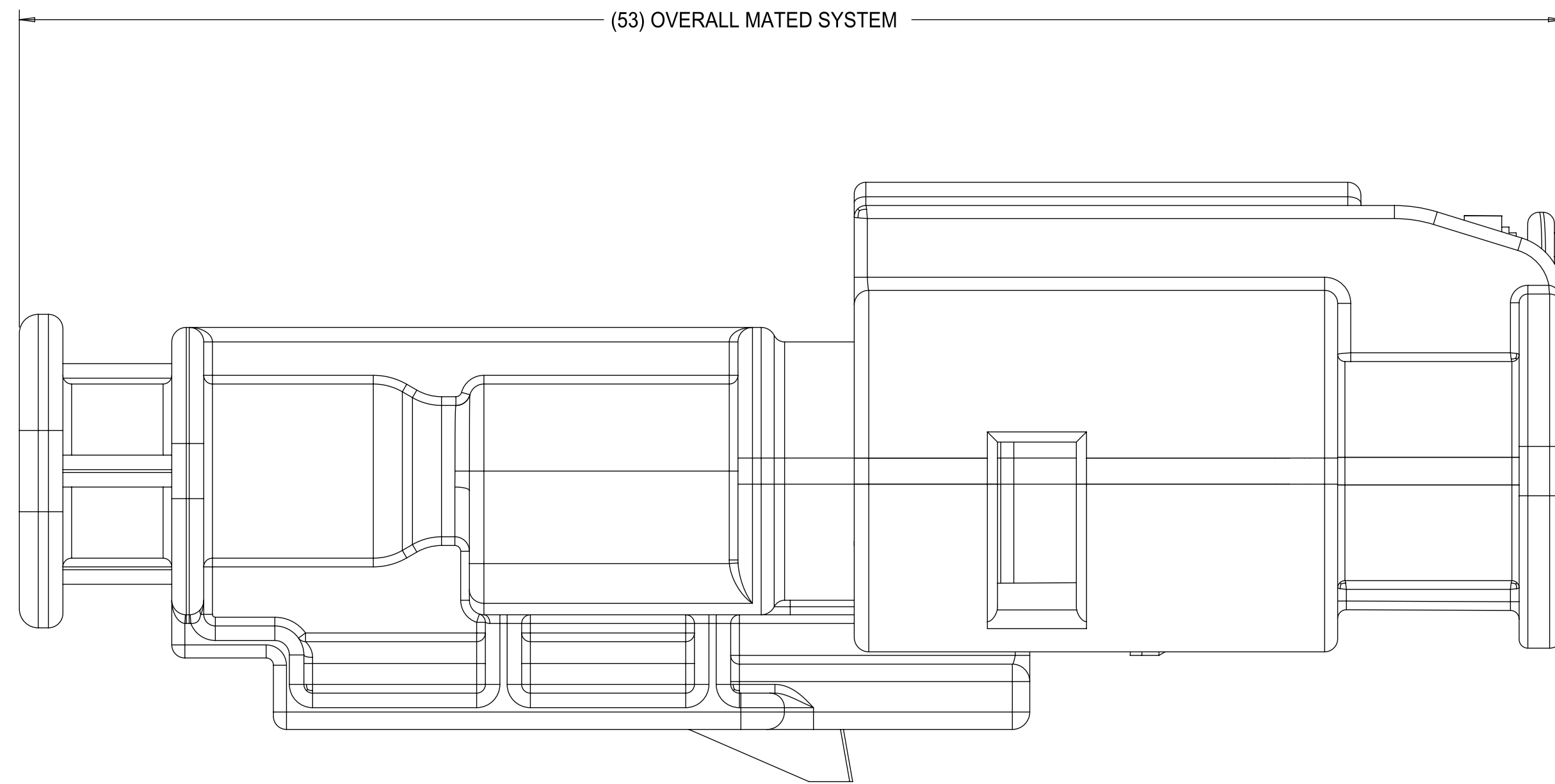
PRIMARY LOCK REINFORCEMENT (PLR) SHOWN IN THE FINAL-LOCK POSITION

1x6 BLADE SEALED ASSEMBLY, 40G CLIP SLOT	17.5	32.75
1x6 BLADE SEALED ASSEMBLY, 11mm CLIP SLOT	16	32.75
1x6 BLADE SEALED ASSEMBLY, 7mm CLIP SLOT	17.25	32.75
1x4 BLADE SEALED ASSEMBLY, 40G CLIP SLOT	17.5	25.25
1x4 BLADE SEALED ASSEMBLY, 11mm CLIP SLOT	16	24.75
1x4 BLADE SEALED ASSEMBLY, 7mm CLIP SLOT	17.25	24.75
CONFIGURATION	B	C
CHARTED DIMENSIONS		

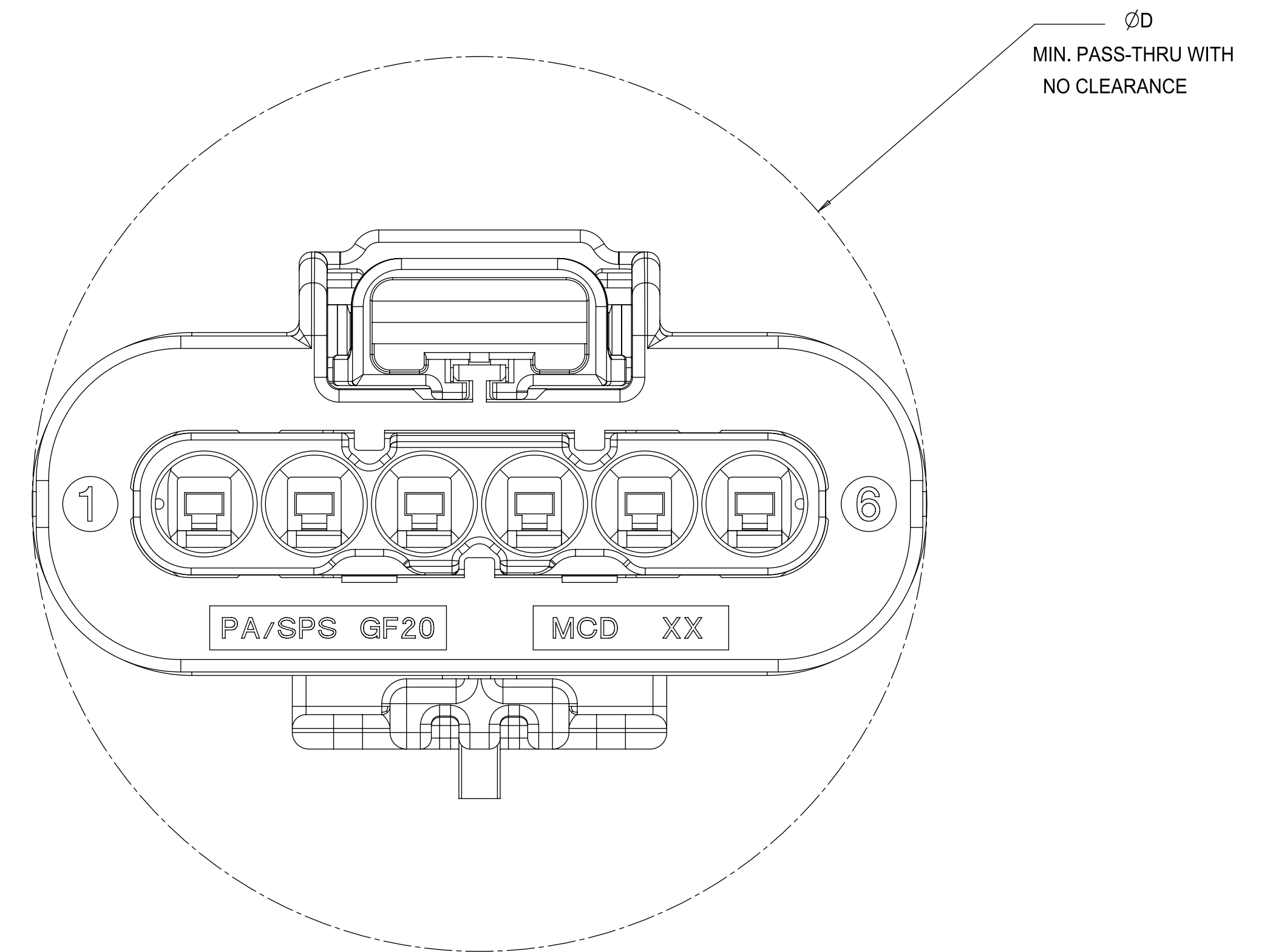
THIS DRAWING CONTAINS INFORMATION THAT IS PROPRIETARY TO MOLEX ELECTRONIC TECHNOLOGIES, LLC AND SHOULD NOT BE USED WITHOUT WRITTEN PERMISSION

DIMENSION UNITS	SCALE	CURRENT REV DESC: ADDED BLUE RESIN HOUSING Pn'S & UPDATED THE DIM'S WDC2-7 & WDC2-10	
mm	4:1		
GENERAL TOLERANCES (UNLESS SPECIFIED)			
ANGULAR TOL	± 3°		
4 PLACES	± 0	EC NO: CO-000027050	
3 PLACES	± 0	DRWN: Manikya MD	20-Feb-2025
2 PLACES	± 0.1	CHK'D: Abhishek Gajare	26-Jun-2025
1 PLACE	± 0.2	APPR: sandes13	26-Jun-2025
0 PLACES	± 0.5	INITIAL REVISION:	
DRAFT WHERE APPLICABLE MUST REMAIN WITHIN DIMENSIONS		DRWN: MVANSLAMBROU	2012/07/13
THIRD ANGLE PROJECTION		APPR: VKOSHY	2012/07/24
D-DRAWING		SERIES	MATERIAL NUMBER
D-SIZE		34899	SEE TABLE
CUSTOMER		GENERAL MARKET	
DOCUMENT NUMBER		DOC TYPE	DOC PART
SD-34899-6001		PSD	001
REVISION		SHEET NUMBER	
D		5 OF 11	


CONNECTION SYSTEM PACKAGING

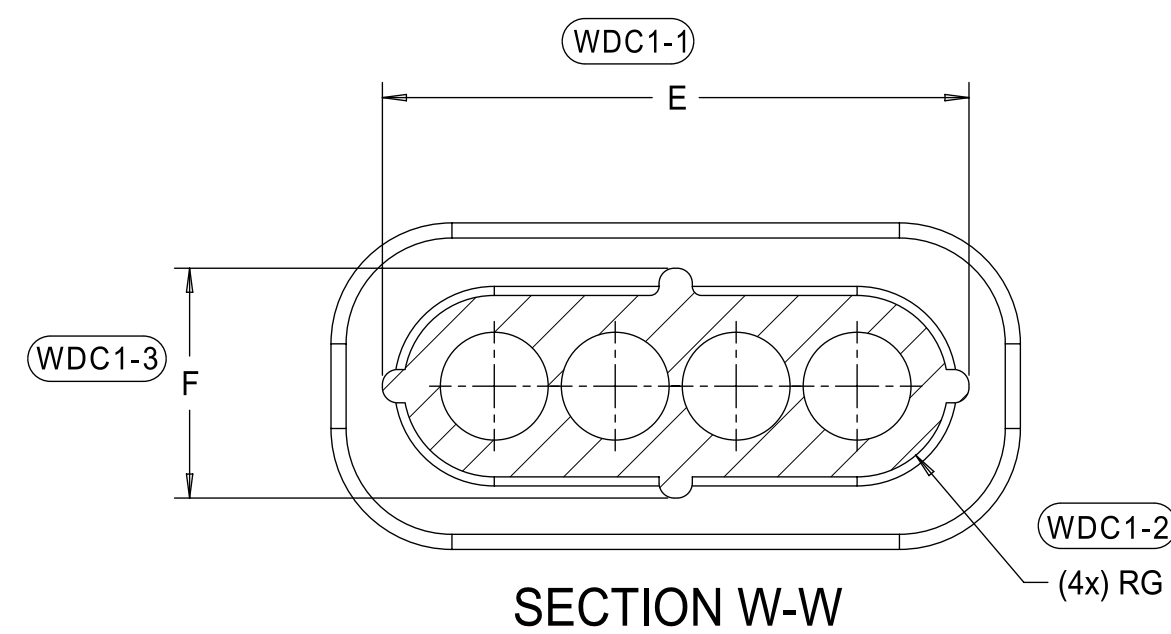


MODEL USED "AM-120-S-006-1-Z01"



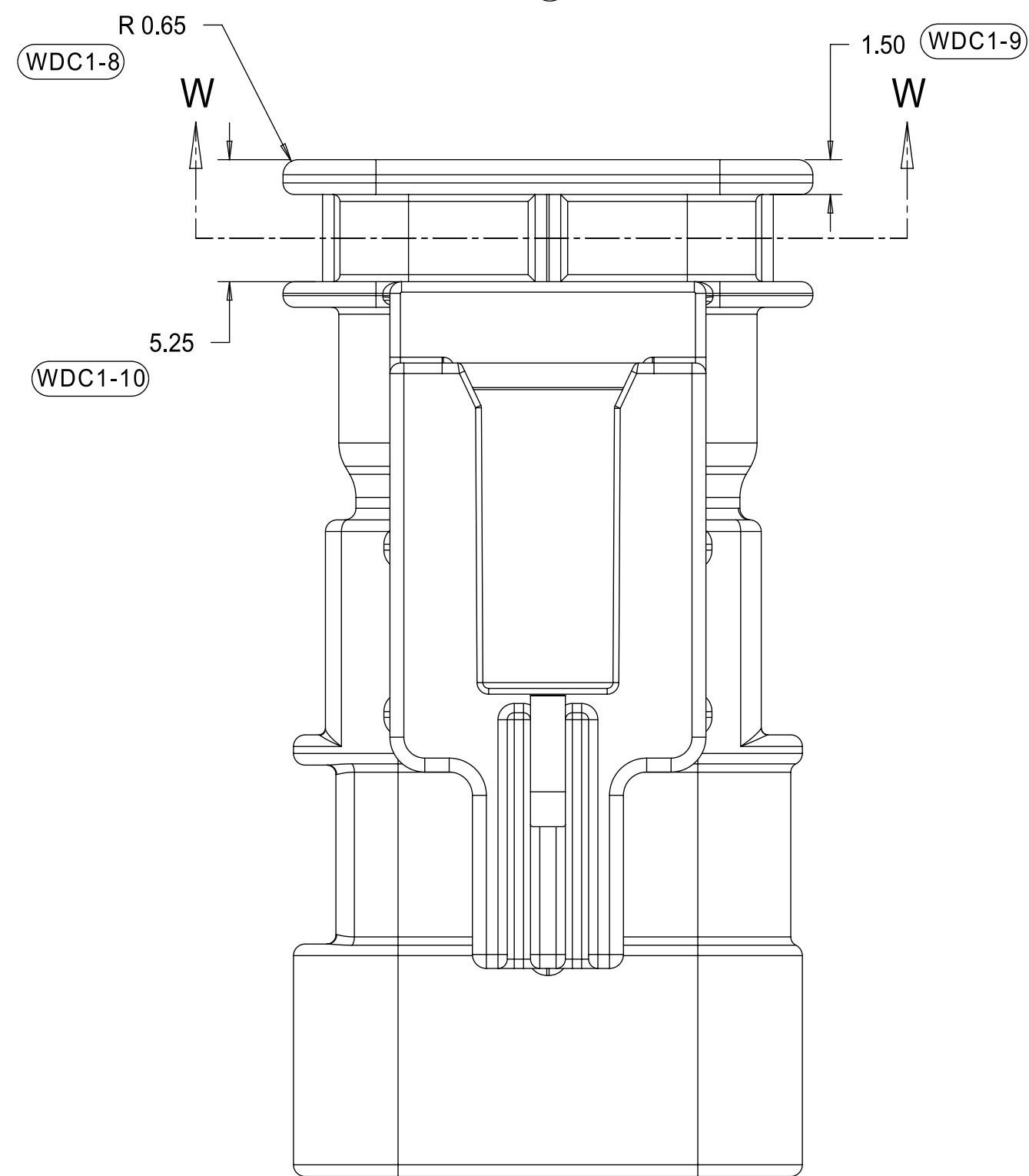
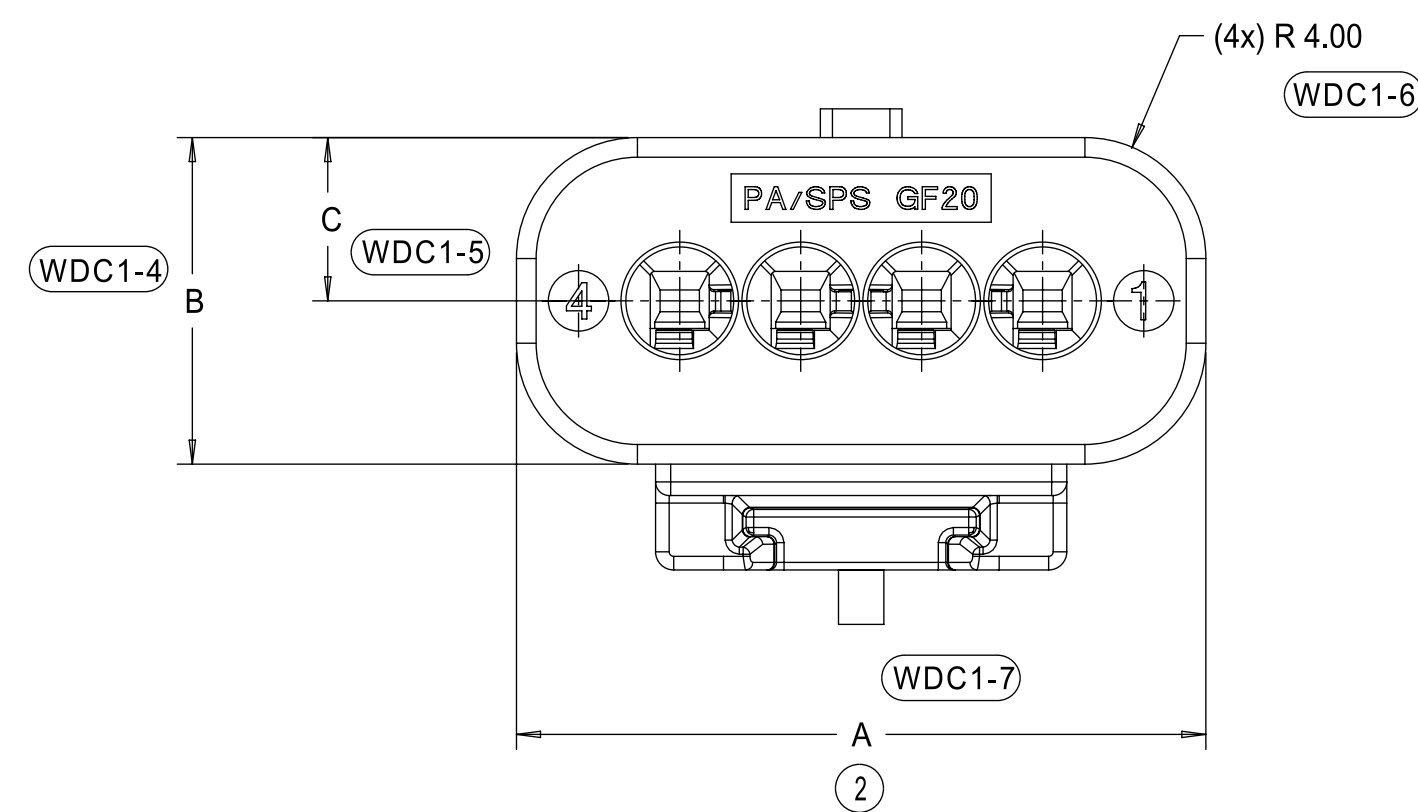
1x6 RECEPTACLE MATED TO 1x6 BLADE, 40 CLIP SLOT	TBD
1x6 RECEPTACLE MATED TO 1x6 BLADE, 11mm CLIP SLOT	33.5
1x6 RECEPTACLE MATED TO 1x6 BLADE, 7mm CLIP SLOT	33.5
1x4 RECEPTACLE MATED TO 1x4 BLADE, 40G CLIP SLOT	25.50
1x4 RECEPTACLE MATED TO 1x4 BLADE, 11mm CLIP SLOT	25.50
1x4 RECEPTACLE MATED TO 1x4 BLADE, 7mm CLIP SLOT	25.50
1.2mm CONNECTION SYSTEM CONFIGURATION	D
CHARTED DIMENSIONS	

THIS DRAWING CONTAINS INFORMATION THAT IS PROPRIETARY TO MOLEX ELECTRONIC TECHNOLOGIES, LLC AND SHOULD NOT BE USED WITHOUT WRITTEN PERMISSION													
DIMENSION UNITS	SCALE	CURRENT REV DESC: ADDED BLUE RESIN HOUSING P/N'S & UPDATED THE DIM'S WDC2-7 & WDC2-10				 1.2MM 1X4, 1X6 BLADE SEALED ASSEMBLY CABLE SEAL 639764 - REMOVED CPA3 AND REPLACED WITH CPA2 AGAIN 64							
mm	6:1												
GENERAL TOLERANCES (UNLESS SPECIFIED)		EC NO: CO-000027050 DRWN: Manikya MD 20-Feb-2025 CHK'D: Abhishek Gajare 26-Jun-2025 APPR: sandes13 26-Jun-2025 INITIAL REVISION: DRWN: MVANSLAMBROU 2012/07/13 APPR: VKOSHY 2012/07/24				PRODUCT CUSTOMER DRAWING							
ANGULAR TOL	± 3°					DOCUMENT NUMBER				DOC TYPE DOC PART REVISION			
4 PLACES	± 0					SD-34899-6001				PSD 001 D			
3 PLACES	± 0					SEE TABLE				GENERAL MARKET			
2 PLACES	± 0.1					SERIES				SHEET NUMBER			
1 PLACE	± 0.2	D-SIZE 34899				6 OF 11							
0 PLACES	± 0.5	DRAWING											
DRAFT WHERE APPLICABLE MUST REMAIN WITHIN DIMENSIONS		THIRD ANGLE PROJECTION		DRAWING		SERIES		MATERIAL NUMBER		CUSTOMER			

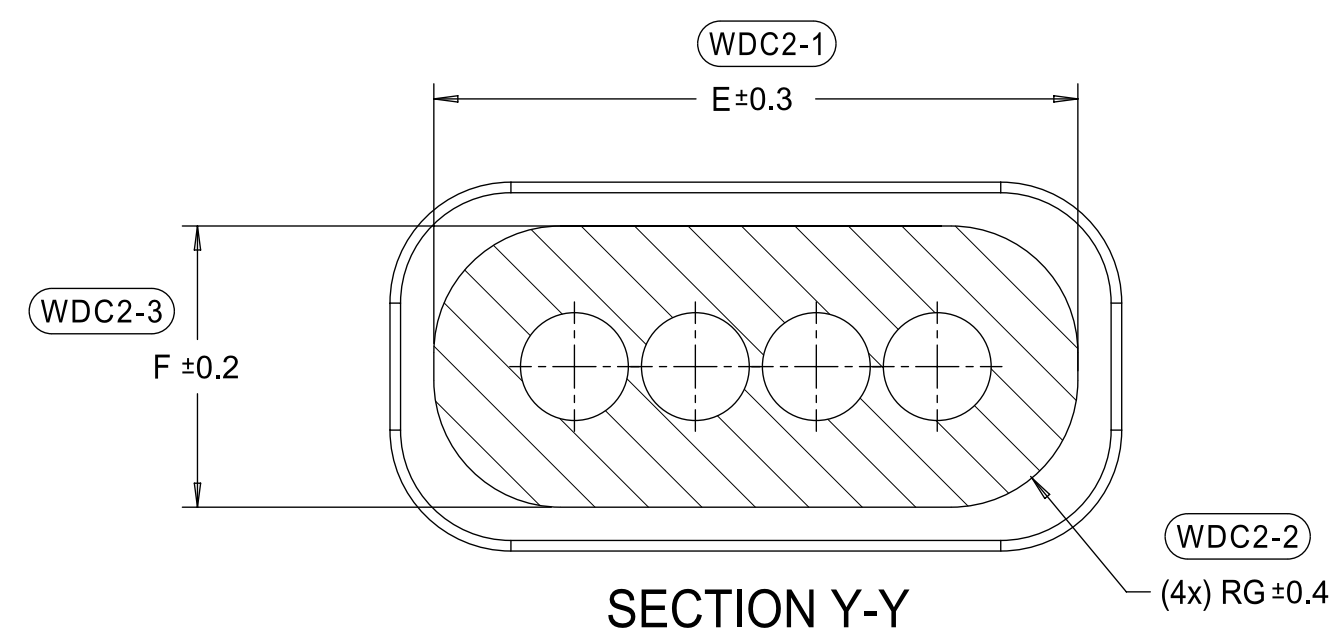


6 CIRCUIT	30.8	10.8	5.4	27.4	7.6	3.0
4 CIRCUIT	22.8	10.8	5.4	19.4	7.6	3.0
CONFIGURATION	A	B	C	E	F	G

CHARTED DIMENSIONS

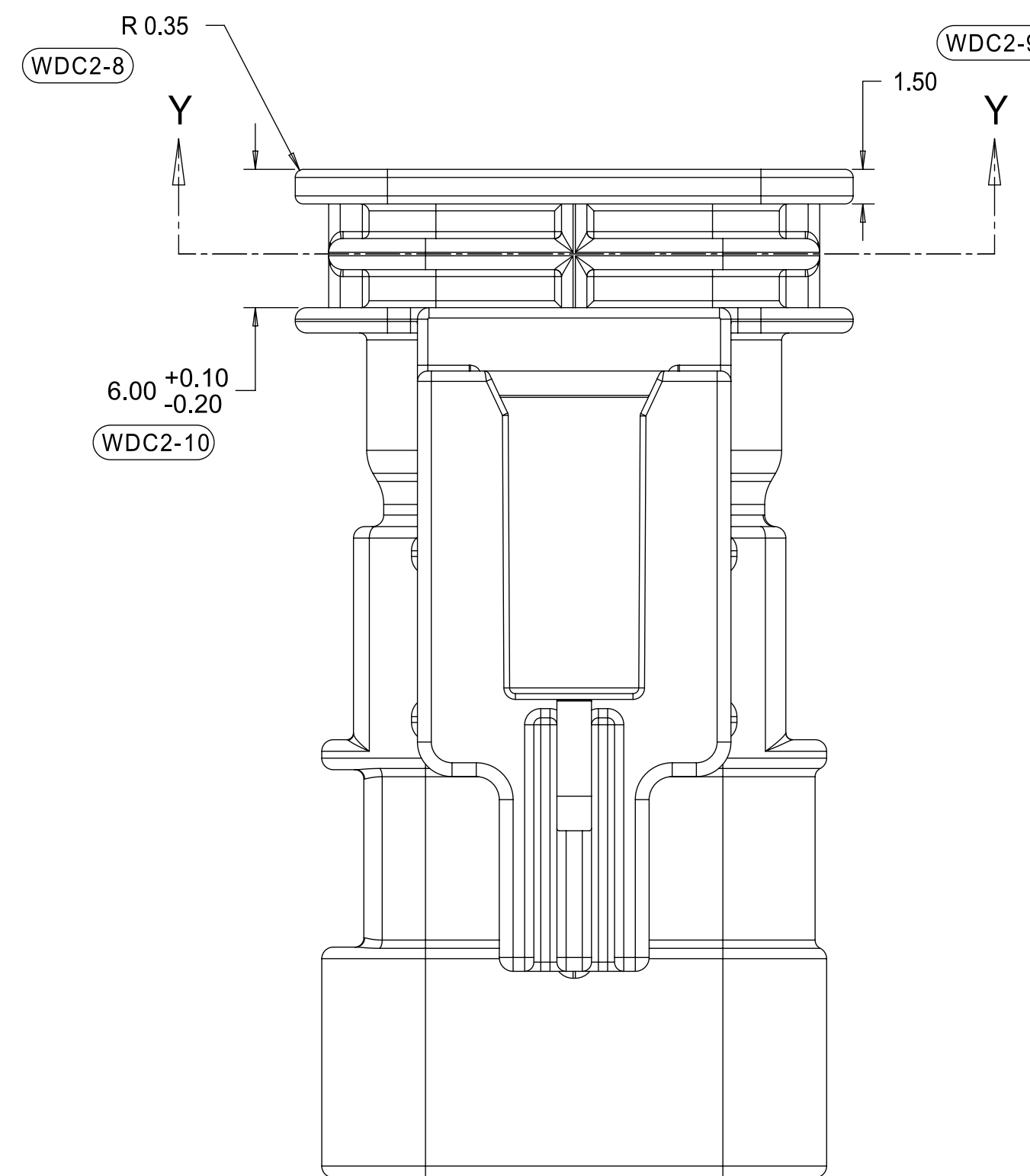
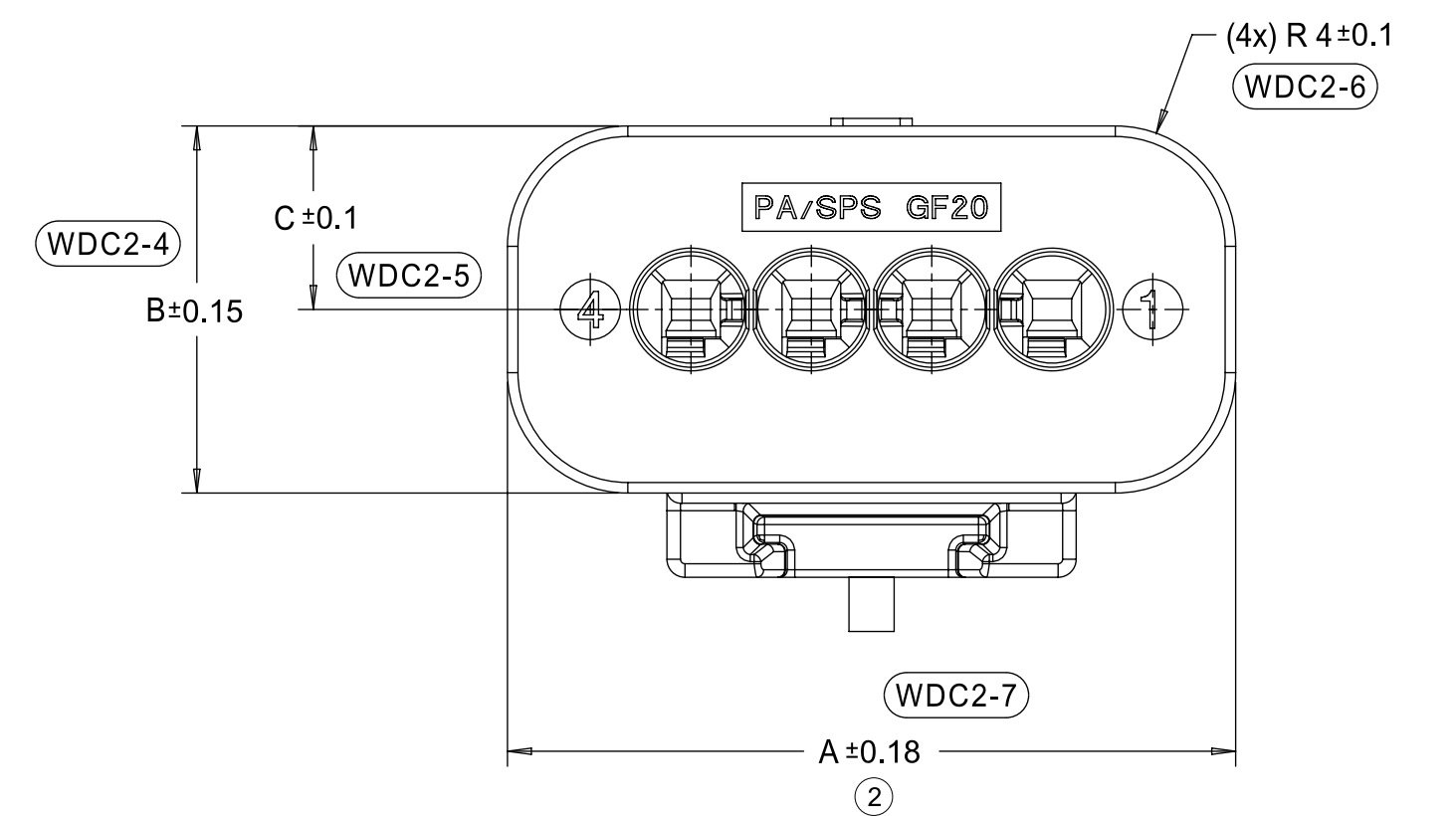


WIRE DRESS COVER
 INTERFACE OPTION 1
 WIRE DRESS COVERS
 NOT AVAILABLE



6 CIRCUIT	32.2	12.2	6.1	29.3	9.3	4.2
4 CIRCUIT	24.2	12.2	6.1	21.3	9.3	4.2
CONFIGURATION	A	B	C	E	F	G

CHARTED DIMENSIONS



WIRE DRESS COVER
 INTERFACE OPTION 2
 BASED ON HIRSCHMANN INTERFACE
 DRAWING 808-012-xxx REV B5

THIS DRAWING CONTAINS INFORMATION THAT IS PROPRIETARY TO MOLEX ELECTRONIC TECHNOLOGIES, LLC AND SHOULD NOT BE USED WITHOUT WRITTEN PERMISSION

DIMENSION UNITS	SCALE	CURRENT REV DESC: ADDED BLUE RESIN HOUSING P/N'S & UPDATED THE DIM'S WDC2-7 & WDC2-10				
mm	4:1					
GENERAL TOLERANCES (UNLESS SPECIFIED)		EC NO: CO-000027050		1.2MM 1X4, 1X6 BLADE		
ANGULAR TOL ± 3°		DRWN: Manikya MD 20-Feb-2025		SEALED ASSEMBLY CABLE SEAL 639764 -		
4 PLACES ± 0		CHK'D: Abhishek Gajare 26-Jun-2025		REMOVED CPA3 AND REPLACED WITH CPA2		
3 PLACES ± 0		APPR: sandes13 26-Jun-2025		AGAIN 64		
2 PLACES ± 0.1		INITIAL REVISION:		PRODUCT CUSTOMER DRAWING		
1 PLACE ± 0.2		DRWN: MVANSLAMBROU 2012/07/13		DOCUMENT NUMBER		
0 PLACES ± 0.5		APPR: VKOSHY 2012/07/24		DOC TYPE DOC PART REVISION		
DRAFT WHERE APPLICABLE MUST REMAIN WITHIN DIMENSIONS		THIRD ANGLE PROJECTION	DRAWING	SERIES	MATERIAL NUMBER	CUSTOMER
			D-SIZE	34899	SEE TABLE	GENERAL MARKET
						SHEET NUMBER
						7 OF 11

