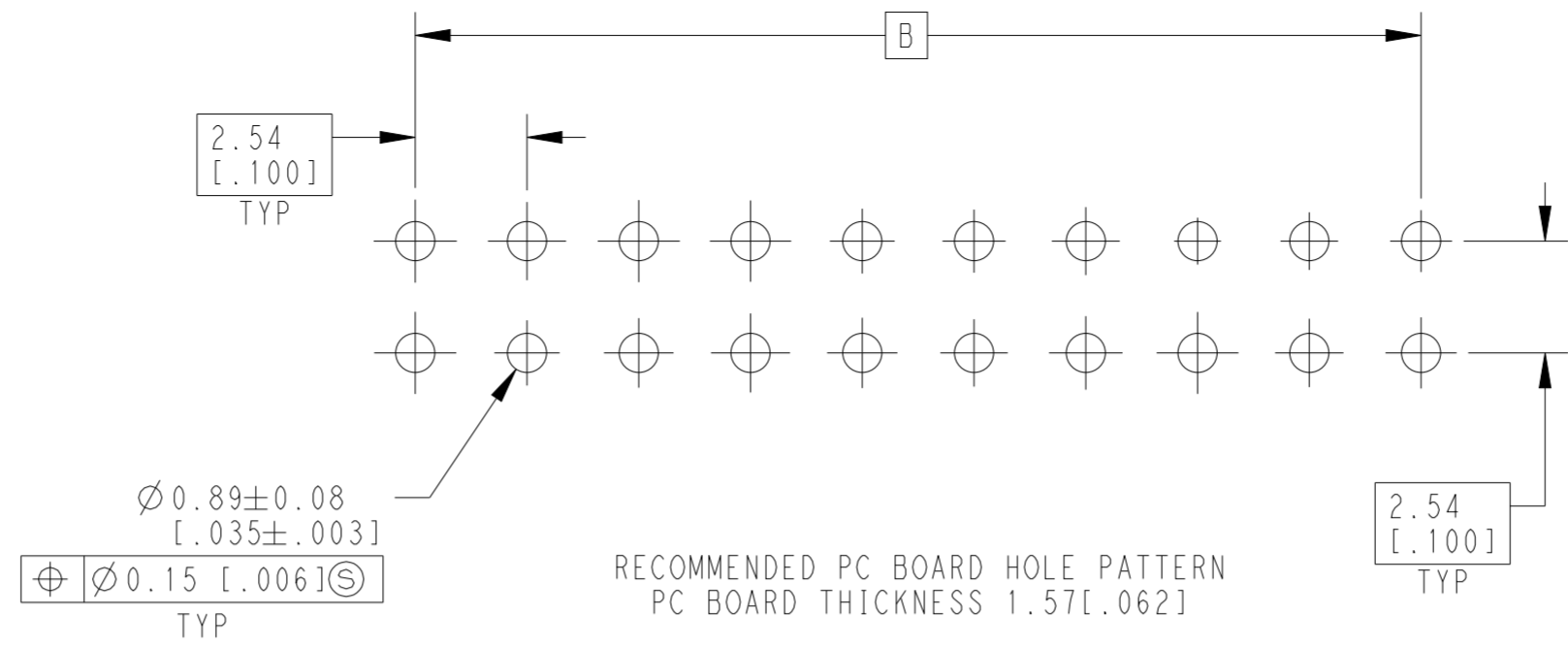
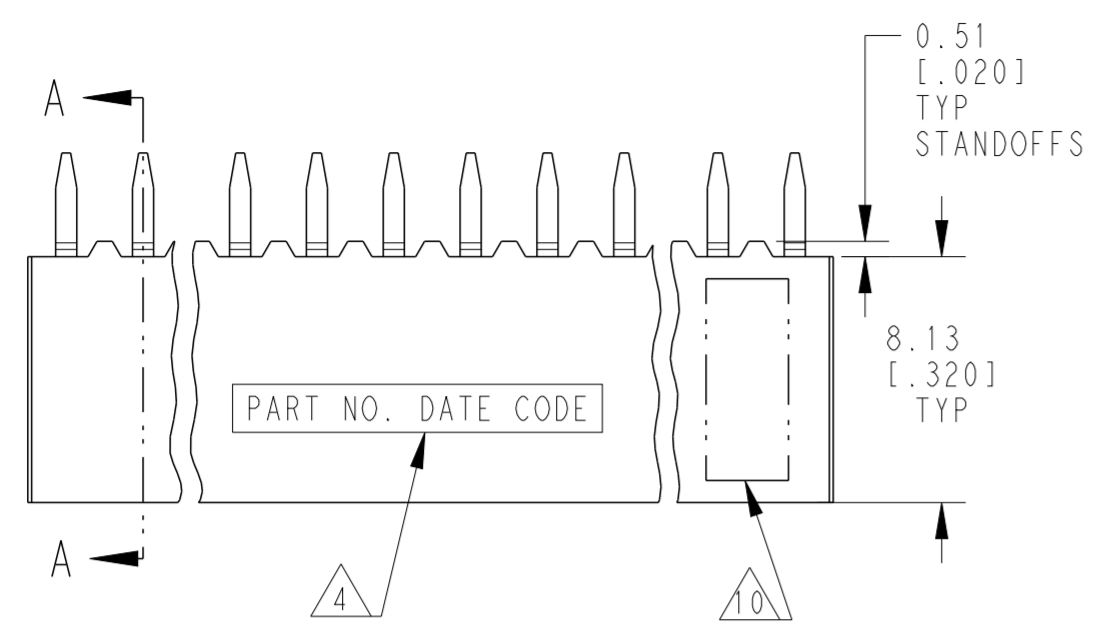
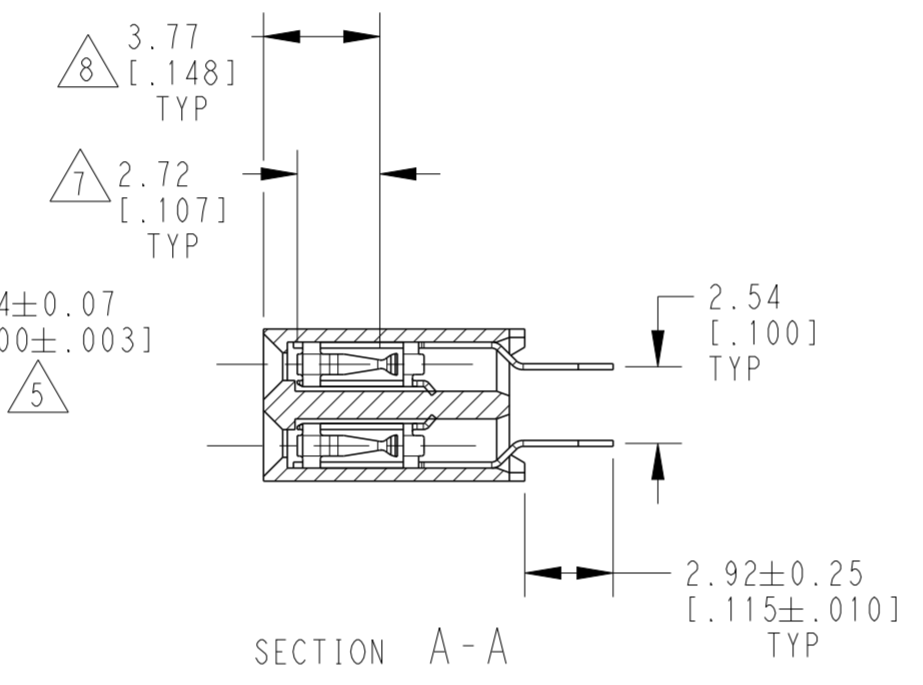
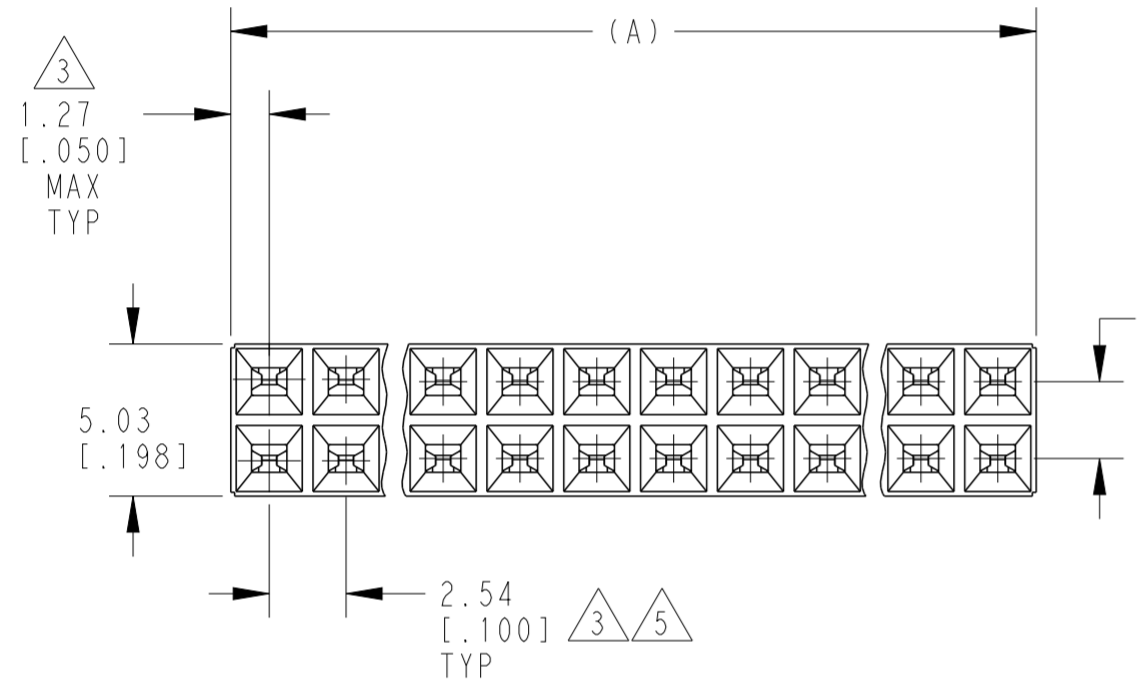


REVISIONS				
P	LTR	DESCRIPTION	DATE	APVD
K		HOUSING RESIN CHANGED	27OCT2021	SCB
L		RIB FEATURE IS ADDED IN THE STANDOFF FEATURE	05MAR2026	LS



RECOMMENDED PC BOARD HOLE PATTERN
PC BOARD THICKNESS 1.57[.062]



- 1 HOUSING: FLAME RETARDANT, GLASS FILLED, POLYESTER, COLOR: BLACK. CONTACT: PHOSPHOR BRONZE
- 2 CONTACT: 0.00381-0.00762(.000150 - .000300) BRIGHT TIN-LEAD OVER 0.00127[.000050] MINIMUM NICKEL
- 3 THESE DIMENSIONS PERTAIN TO CAVIITY CENTERLINES ONLY - NOT TO CONTACT LOCATIONS
- 4 MARK PART NUMBER AND DATE CODE ARE IN APPROXIMATE LOCATION SHOWN, EITHER SIDE.
- 5 TOLERANCE IS NON-CUMULATIVE.
- 6 2 POSITION DATE CODE IS MARKED OPPOSITE SIDE OF TE CONNECTIVITY LOGO.
- 7 POINT-OF-MEASUREMENT DIMENSION FOR PLATING THICKNESS (INSIDE CONTACT BEAM).
- 8 POINT-OF-CONTACT DIMENSION.
- 9 NO PART NUMBER MARKING REQUIRED FOR THIS PART.
- 10 TE CONNECTIVITY LOGO AND CSA LOGO ARE MOLDED INTO HOUSING.
- 11 CONTACT: 0.00381-0.00762 (.000150 - .000300) MATTE TIN OVER 0.00127 (.000050) MINIMUM NICKEL
- 12 ROHS 2002/95/EC COMPLIANT

SUPERSEDED BY 6-146762-2
SUPERSEDED BY 6-146762-0
SUPERSEDED BY 5-146762-9

FINISH	B	A	NO OF POSN	PART NUMBER
	99.06[3.900]	101.60[4.000]	80	4-146762-0
	96.52[3.800]	99.06[3.900]	78	3-146762-9
	93.98[3.700]	96.52[3.800]	76	3-146762-8
	91.44[3.600]	93.98[3.700]	74	3-146762-7
	88.90[3.500]	91.44[3.600]	72	3-146762-6
	86.36 3.400]	88.90[3.500]	70	3-146762-5
	83.82[3.300]	86.36[3.400]	68	3-146762-4
	81.28[3.200]	83.82[3.300]	66	3-146762-3
	76.20[3.000]	78.74[3.100]	62	3-146762-2
	73.66[2.900]	76.20[3.000]	60	3-146762-1
	71.12[2.800]	73.66[2.900]	58	3-146762-0
	68.58[2.700]	71.12[2.800]	56	2-146762-9
	66.04 2.600]	68.58[2.700]	54	2-146762-8
	63.50[2.500]	66.04[2.600]	52	2-146762-7
	60.96[2.400]	63.50[2.500]	50	2-146762-6
	58.42[2.300]	60.96[2.400]	48	2-146762-5
	55.88[2.200]	58.42[2.300]	46	2-146762-4
	53.34[2.100]	55.88[2.200]	44	2-146762-3
	50.80[2.000]	53.34[2.100]	42	2-146762-2
	45.72[1.800]	48.26[1.900]	38	2-146762-1
	43.18[1.700]	45.72[1.800]	36	2-146762-0
	40.64[1.600]	43.18[1.700]	34	1-146762-9
	38.10[1.500]	40.64[1.600]	32	1-146762-8
	33.02[1.300]	35.56[1.400]	28	1-146762-7
	30.48[1.200]	33.02[1.300]	26	1-146762-6
	27.94[1.100]	30.48[1.200]	24	1-146762-5
	25.40[1.000]	27.94[1.100]	22	1-146762-4
	17.78[.700]	20.32[.800]	16	1-146762-3
	15.24[.600]	17.78[.700]	14	1-146762-2
	12.70[.500]	15.24[.600]	12	1-146762-1
	5.08[.200]	7.62[.300]	6	1-146762-0
	2.54[.100]	5.08[.200]	4	146762-9
	-	2.54[.100]	2	146762-8
	22.86[.900]	25.40[1.000]	20	146762-7
	78.74[3.100]	81.28[3.200]	64	146762-6
	48.26[1.900]	50.80[2.000]	40	146762-5
	35.56[1.400]	38.10[1.500]	30	146762-4
	20.32[.800]	22.86[.900]	18	146762-3
	10.16[.400]	12.70[.500]	10	146762-2
	7.62[.300]	10.16[.400]	8	146762-1

THIS DRAWING IS A CONTROLLED DOCUMENT.

DWN: M. BINNER 06NOV2002
CHK: J. OLSON 06NOV02
APVD: J. OLSON 06NOV02

TE Connectivity

RCPT. ASSY., MOD II, DBL ROW, .100 X .100 DOUBLE ROW, DUAL ENTRY, .100X.100CL, VERTICAL MOUNT, AMPMODU

108-25022
114-25018

SIZE: A2 CAGE CODE: 00779 DRAWING NO: C-146762

CUSTOMER DRAWING SCALE: 4:1 SHEET: 1 OF 2 REV: L

REVISIONS

P	LTR	DESCRIPTION	DATE	DWN	APVD
-		SEE SHEET 1	-	-	-

99.06[3.900]	101.60[4.000]	80	△2	9-146762-0
96.52[3.800]	99.06[3.900]	78	△2	8-146762-9
93.98[3.700]	96.52[3.800]	76	△2	8-146762-8
91.44[3.600]	93.98[3.700]	74	△2	8-146762-7
88.90[3.500]	91.44[3.600]	72	△2	8-146762-6
86.36 3.400]	88.90[3.500]	70	△2	8-146762-5
83.82[3.300]	86.36[3.400]	68	△2	8-146762-4
81.28[3.200]	83.82[3.300]	66	△2	8-146762-3
76.20[3.000]	78.74[3.100]	62	△2	8-146762-2
73.66[2.900]	76.20[3.000]	60	△2	8-146762-1
71.12[2.800]	73.66[2.900]	58	△2	8-146762-0
68.58[2.700]	71.12[2.800]	56	△2	7-146762-9
66.04 2.600]	68.58[2.700]	54	△2	7-146762-8
63.50[2.500]	66.04[2.600]	52	△2	7-146762-7
60.96[2.400]	63.50[2.500]	50	△2	7-146762-6
58.42[2.300]	60.96[2.400]	48	△2	7-146762-5
55.88[2.200]	58.42[2.300]	46	△2	7-146762-4
53.34[2.100]	55.88[2.200]	44	△2	7-146762-3
50.80[2.000]	53.34[2.100]	42	△2	7-146762-2
45.72[1.800]	48.26[1.900]	38	△2	7-146762-1
43.18[1.700]	45.72[1.800]	36	△2	7-146762-0
40.64[1.600]	43.18[1.700]	34	△2	6-146762-9
38.10[1.500]	40.64[1.600]	32	△2	6-146762-8
33.02[1.300]	35.56[1.400]	28	△2	6-146762-7
30.48[1.200]	33.02[1.300]	26	△2	6-146762-6
27.94[1.100]	30.48[1.200]	24	△2	6-146762-5
25.40[1.000]	27.94[1.100]	22	△2	6-146762-4
17.78[.700]	20.32[.800]	16	△2	6-146762-3
15.24[.600]	17.78[.700]	14	△2	6-146762-2
12.70[.500]	15.24[.600]	12	△2	6-146762-1
5.08[.200]	7.62[.300]	6	△2	6-146762-0
2.54[.100]	5.08[.200]	4	△2	5-146762-9
	2.54[.100]	2	△2, △6	5-146762-8
22.86[.900]	25.40[1.000]	20	△2	5-146762-7
78.74[3.100]	81.28[3.200]	64	△2	5-146762-6
48.26[1.900]	50.80[2.000]	40	△2	5-146762-5
35.56[1.400]	38.10[1.500]	30	△2	5-146762-4
20.32[.800]	22.86[.900]	18	△2	5-146762-3
10.16[.400]	12.70[.500]	10	△2	5-146762-2
7.62[.300]	10.16[.400]	8	△2	5-146762-1

FINISH	B	A	NO OF POSN	PART NUMBER
--------	---	---	------------	-------------

OBSOLETE



THIS DRAWING IS A CONTROLLED DOCUMENT.

DWN M. BINNER 06NOV2002	 TE Connectivity	NAME RCPT. ASSY., MOD II, DBL ROW, .100 X .100 DOUBLE ROW, DUAL ENTRY, .100X.100CL, VERTICAL MOUNT, AMPMODU
CHK J. OLSON 06NOV02		
APVD J. OLSON 06NOV02		
PRODUCT SPEC 108-25022		
APPLICATION SPEC 114-25018	SIZE A2	CAGE CODE 00779
MATERIAL △1	FINISH △2, △11	DRAWING NO C-146762
CUSTOMER DRAWING		RESTRICTED TO -
SCALE 4:1		SHEET 2 OF 2
REV L		