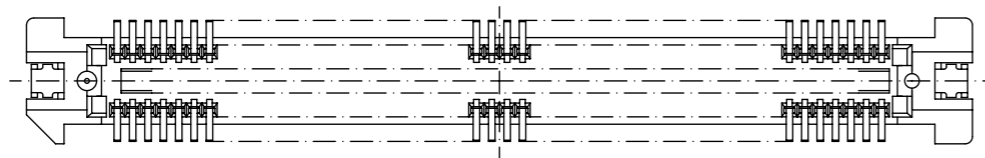


半田付け部詳細図
DETAIL FOR SOLDERING AREA

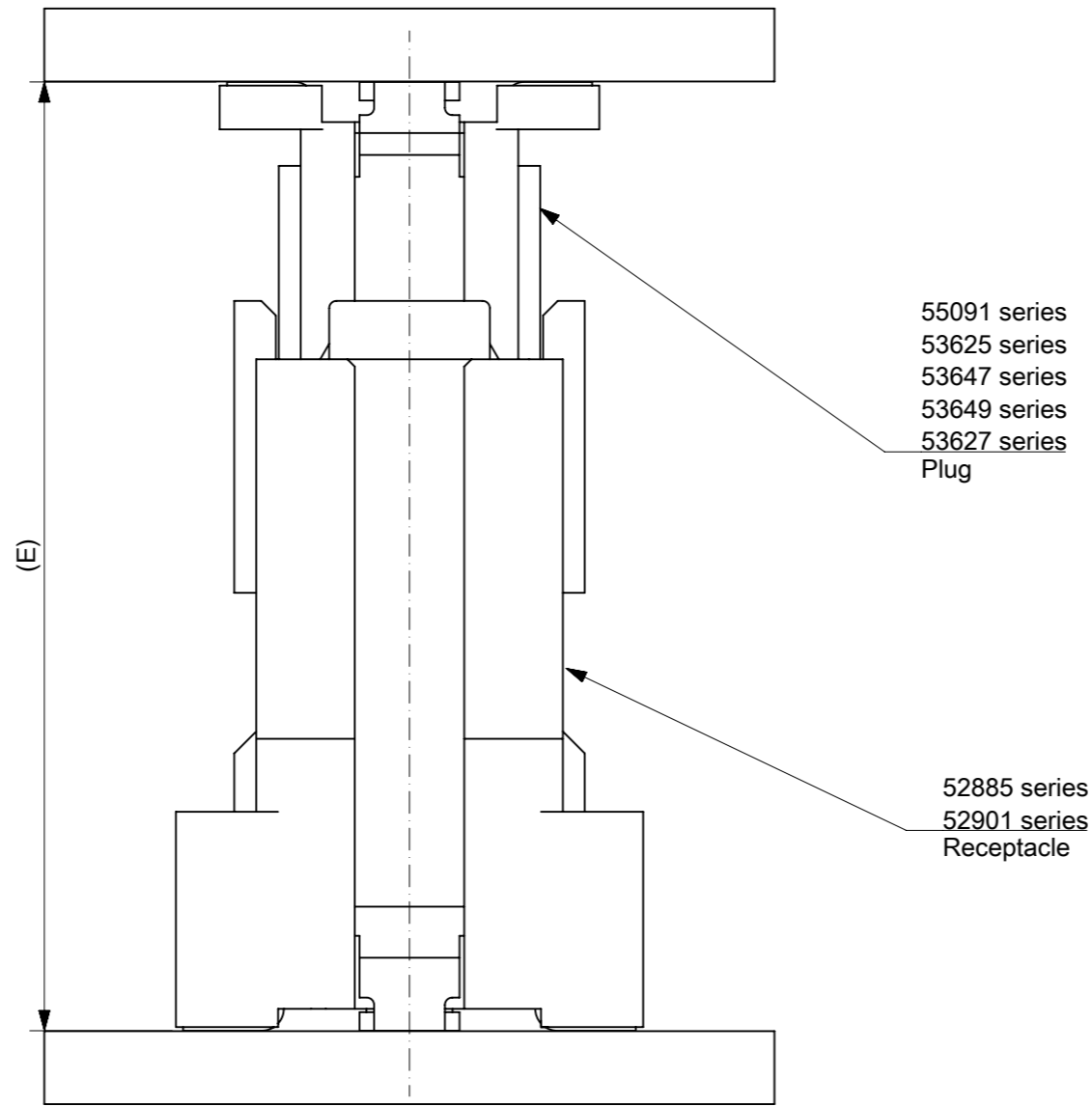


注) NOTES

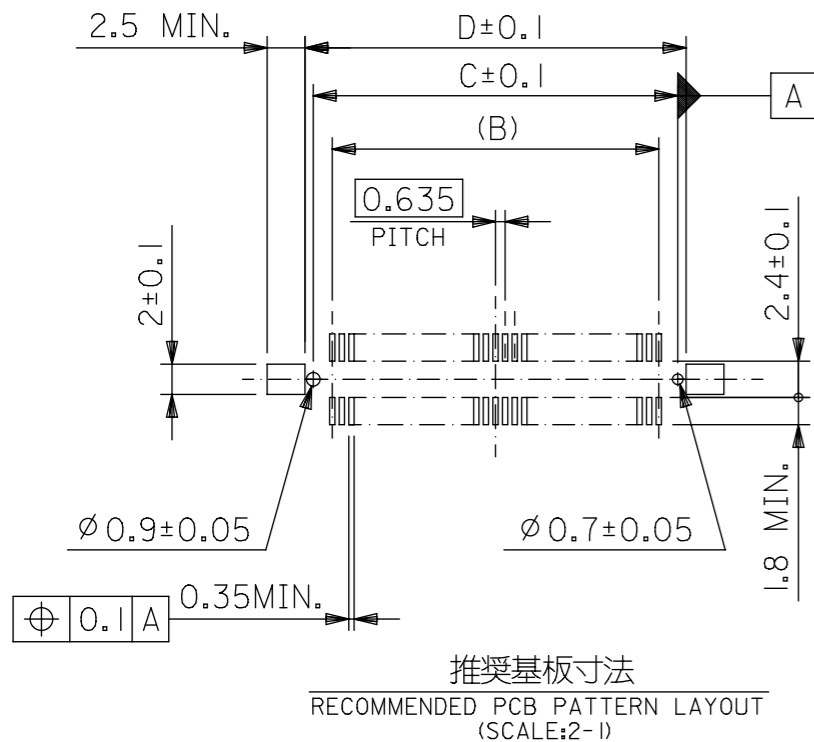
- 材質
MATERIAL
ハウジング: ガラス入りPPS、茶色、UL94V-0
HOUSING: G.F.PPS, BROWN, UL94V-0
ターミナル: 銅合金 (t=0.2)
TERMINAL: COPPER ALLOY
補強金具: 銅合金 (t=0.25)
FITTING NAIL: COPPER ALLOY
吸着カバー: ステンレス (t=0.2)
VACUUM COVER: STAINLESS STEEL
- メッキ仕様
PLATING
ターミナル: 接点部: 金メッキ 0.25 μmMIN.
TERMINAL: CONTACT AREA: GOLD 0.25 MICROMETER MIN.
半田付け部: 錫メッキ 1.0 μmMIN.
SOLDER TAIL AREA: TIN 1.0 MICROMETER MIN.
下地メッキ: ニッケルメッキ 1.5 μmMIN.
UNDER-PLATING: NICKEL 1.5 MICROMETER MIN.
補強金具: 錫メッキ 1.0 μmMIN.
FITTING NAIL: TIN 1.0 MICROMETER MIN.
下地メッキ: ニッケルメッキ 1.0 μmMIN.
UNDER-PLATING: NICKEL 1.0 MICROMETER MIN.
- テールのバラツキ寸法
TAIL COPLANARITY
テール平坦度は、0.1 MAX.とする。
TAILS COPLANARITY TO BE 0.1 MAX.
- エンボス対応済みの極数については、SD-53625-003を参照下さい。
FOR THE EMBOSSED PACKAGE PRODUCTS, SEE SD-53625-003.
- 本製品は 53625-***2 の鉛フリー品である。
THIS PRODUCT IS LEAD FREE OF 53625-***2.

無し WITHOUT	66.47	65.37	62.865	70.37	53625-2074	200
	60.12	59.02	56.515	64.02	53625-1874	180
	53.77	52.67	50.165	57.67	53625-1674	160
	47.42	46.32	43.815	51.32	53625-1474	140
	41.07	39.97	37.465	44.97	53625-1274	120
	34.72	33.62	31.115	38.62	53625-1074	100
	31.55	30.45	27.94	35.45	53625-0974	90
	28.37	27.27	24.765	32.27	53625-0874	80
有り WITH	25.2	24.1	21.59	29.1	53625-0774	70
	22.02	20.92	18.415	25.92	53625-0674	60
	18.85	17.75	15.24	22.75	53625-0574	50
	15.67	14.57	12.065	19.57	53625-0474	40
	12.5	11.4	8.89	16.4	53625-0374	30
9.32	8.22	5.715	13.22	53625-0274	20	
ハウジングロック HSG LOCK	D	C	B	A	エンボス梱包 EMBOSSED PACKAGE オーダー番号 ORDER NO.	極数 CKT

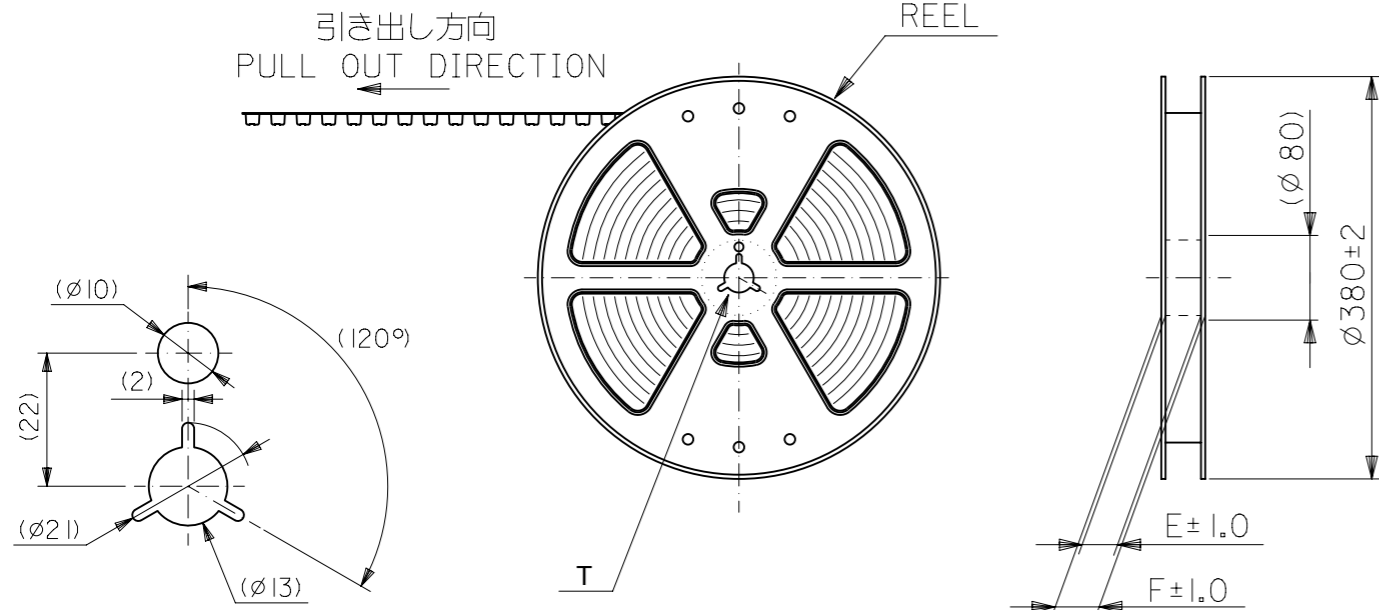
GENERAL TOLERANCES (UNLESS SPECIFIED)		THIS DRAWING CONTAINS INFORMATION THAT IS PROPRIETARY TO MOLEX ELECTRONIC TECHNOLOGIES, LLC AND SHOULD NOT BE USED WITHOUT WRITTEN PERMISSION	
10 UNDER	± 0.2	DIMENSION UNITS	SCALE
10 OVER 30 UNDER	± 0.25	mm	---
30 OVER	± 0.3	CURRENT REV DESC: REMOVED OBSOLETE PART NUMBERS AS PER PCN#514995.	
ANGULAR	± 3 °	GENERAL TOLERANCES (UNLESS SPECIFIED)	
DRAFT WHERE APPLICABLE MUST REMAIN WITHIN DIMENSIONS		ANGULAR TOL	± 30 °
		4 PLACES	± 0.2
		3 PLACES	± 0.25
		2 PLACES	± 0.3
		1 PLACE	±
		0 PLACES	±
		DRAFT WHERE APPLICABLE MUST REMAIN WITHIN DIMENSIONS	
		THIRD ANGLE PROJECTION	
		DRAWING	
		SERIES	
		MATERIAL NUMBER	
		CUSTOMER	
		SHEET NUMBER	
		A3-SIZE	
		53625	
		SEE CHART	
		GENERAL MARKET	
		1 OF 2	



嵌合高さ一覧 Stacking Height variation			
	6	52885 series	55091 series
○	7		53625 series
	8		53647 series
	9		53649 series
	10		53627 series
	12	52901 series	55091 series
○	13		53625 series
	14		53647 series
	15		53649 series
	16		53627 series
本図製品該当高さ Height Application	嵌合高さ E Stacking Height	リセプタクル Receptacle	プラグ Plug

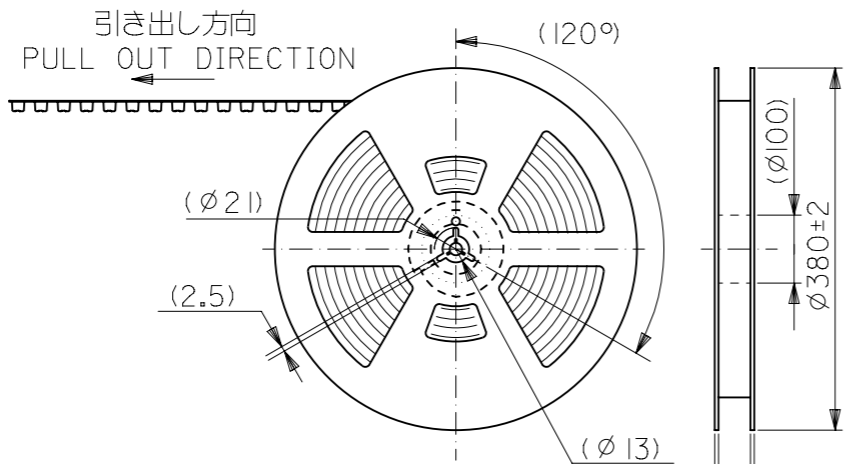


GENERAL TOLERANCES (UNLESS SPECIFIED)		THIS DRAWING CONTAINS INFORMATION THAT IS PROPRIETARY TO MOLEX ELECTRONIC TECHNOLOGIES, LLC AND SHOULD NOT BE USED WITHOUT WRITTEN PERMISSION	
DIMENSION UNITS	SCALE	CURRENT REV DESC: REMOVED OBSOLETE PART NUMBERS AS PER PCN#514995.	
10 UNDER	mm	<div style="text-align: center;">molex</div> 0.635 B/B CONN.PLUG HS'G COVER ASSY PRODUCT CUSTOMER DRAWING	
10 OVER 30 UNDER	---		
30 OVER	---		
ANGULAR	± 3 °	EC NO: 820689 DRWN: RAVINR1 APPR: MSASAO 2025/03/27 2025/05/21 2025/05/21	
DRAFT WHERE APPLICABLE MUST REMAIN WITHIN DIMENSIONS		INITIAL REVISION: DRWN: YWADA APPR: MSASAO 2004/05/26 2004/05/31	
		THIRD ANGLE PROJECTION	DRAWING
		A3-SIZE	SERIES
		53625	MATERIAL NUMBER
		SEE CHART	CUSTOMER
		GENERAL MARKET	SHEET NUMBER
			2 OF 2

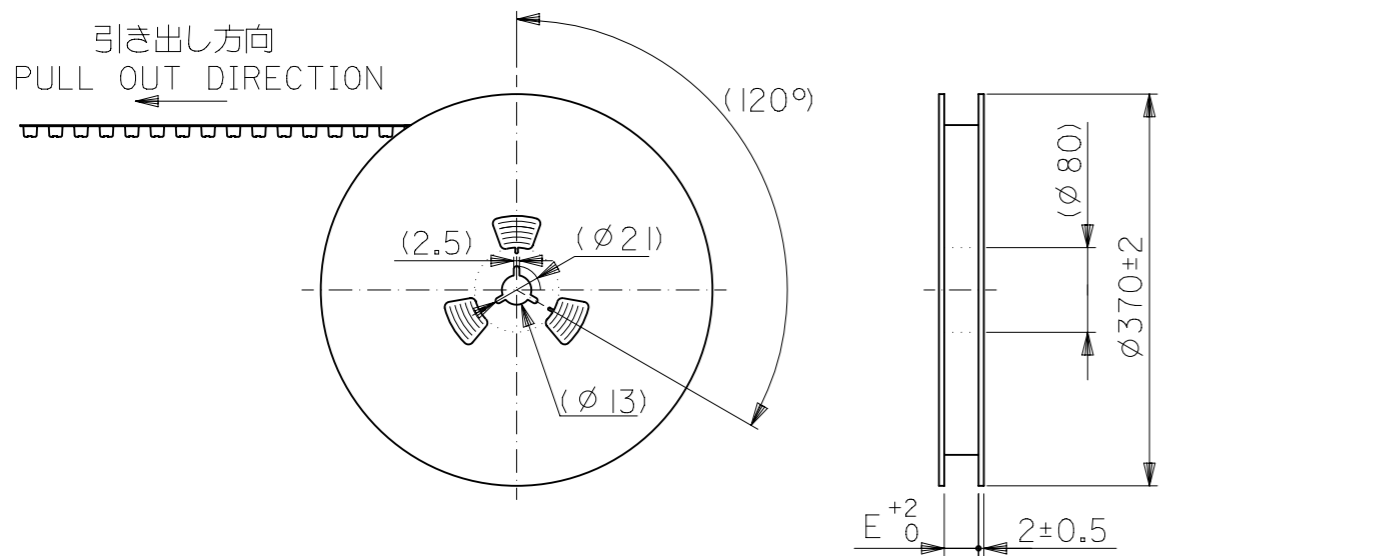


DETAIL T

キャリアテープ幅 : 24mm~56mm
CARRIER TAPE WIDTH : 24mm-56mm



キャリアテープ幅 : 88mm
CARRIER TAPE WIDTH : 88mm



キャリアテープ幅 : 72mm, 104mm
CARRIER TAPE WIDTH : 72mm, 104mm

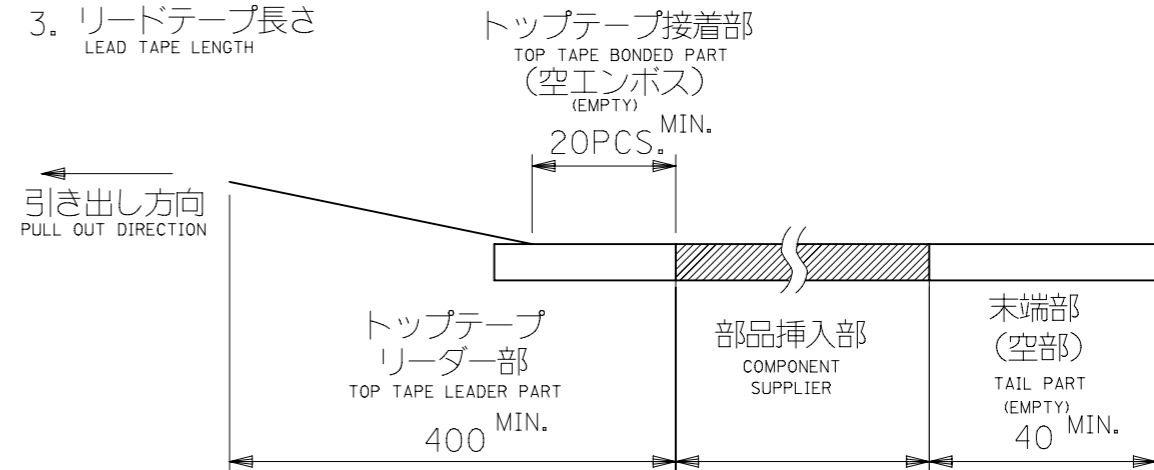
注)
NOTES

1. 製品番号 53625-***72 の詳細寸法については、SD-53625-002 を参照下さい。
IN THE PACKAGE, PART NO. 53625-***72 DETAILED DIMENSIONS, SEE SD-53625-002

2. 梱包数量 :
NUMBER OF CONNECTORS :

CIRCUITS	NUMBER
20~140	1000 PCS/REEL
160~240	800 PCS/REEL

3. リードテープ長さ
LEAD TAPE LENGTH



4. 材料

MATERIAL

キャリアテープ : ポリプロピレン (PP) : 30, 40, 50, 80, 90, 120, 140, 160, 240極
ポリスチレン (PS) : 20, 60, 70, 100, 180, 200極

CARRIER TAPE : POLYPROPYLENE (PP) : 30, 40, 50, 80, 90, 120, 140, 160, 240CKT
POLYSTYRENE (PS) : 20, 60, 70, 100, 180, 200CKT

トップテープ : PET, PE, PEF

TOP TAPE : PET, PE, PEF

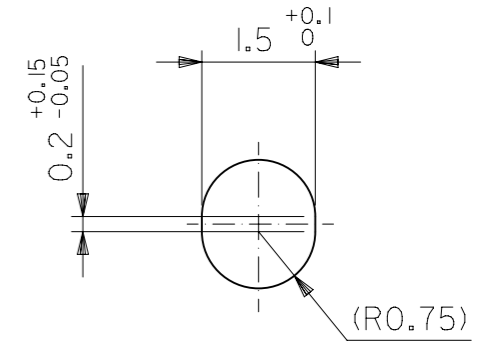
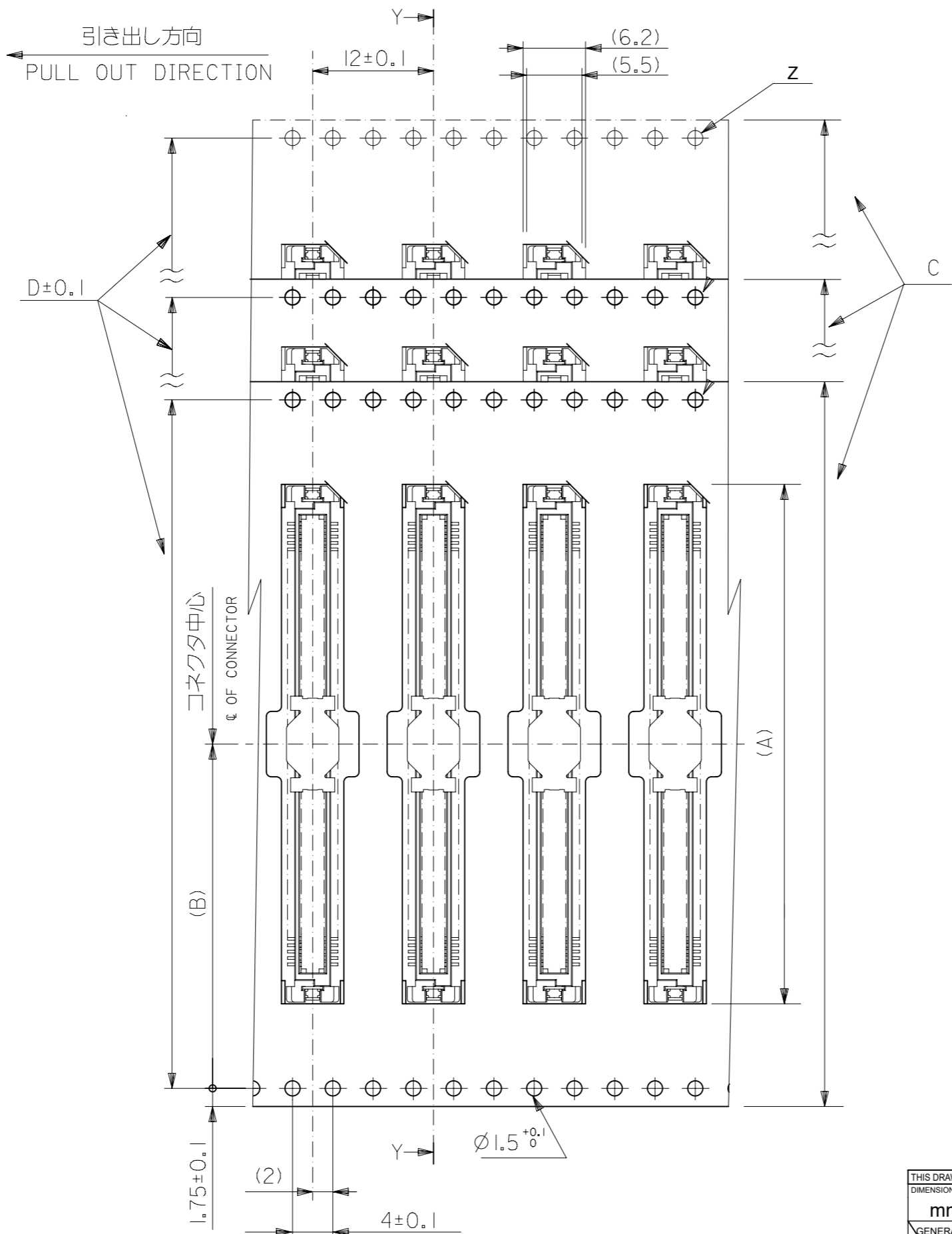
リール

REEL

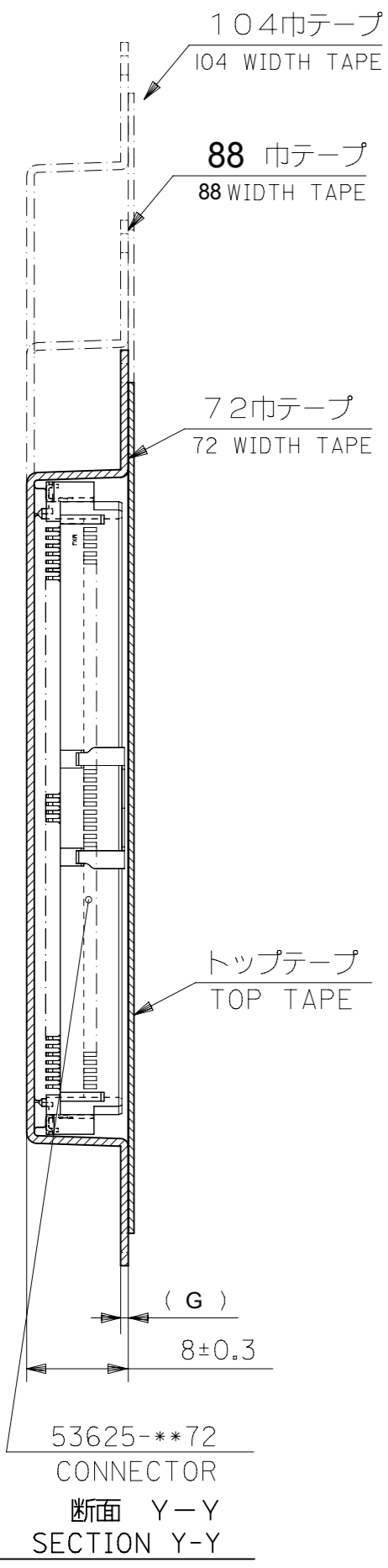
: キャリアテープ幅 24mm~56mm, 88mm : ポリスチレン
CARRIER TAPE WIDTH 24mm-56mm, 88mm : POLYSTYRENE
キャリアテープ幅 72mm, 104mm : 紙
CARRIER TAPE WIDTH 72mm, 104mm : CARD BOARD

5. 本製品は53625-***4の鉛フリー品である。
THIS PRODUCT IS LEAD FREE OF 53625-***4.

THIS DRAWING CONTAINS INFORMATION THAT IS PROPRIETARY TO MOLEX ELECTRONIC TECHNOLOGIES, LLC AND SHOULD NOT BE USED WITHOUT WRITTEN PERMISSION										
DIMENSION UNITS	SCALE	CURRENT REV DESC: REMOVED OBSOLETE PART NUMBERS AS PER PCN#514995.								
mm	---									
GENERAL TOLERANCES (UNLESS SPECIFIED)										
ANGULAR TOL	± 30°	53625-***72 TAPING PACKAGE PRODUCT CUSTOMER DRAWING EC NO: 820689 DRWN: RAVINR1 2025/03/26 CHK'D: GB 2025/05/21 APPR: GB 2025/05/21 INITIAL REVISION: DRWN: YWADA 2004/05/26 APPR: MSASAO 2004/05/31								
4 PLACES	± 0.2									
3 PLACES	± 0.25									
2 PLACES	± 0.3									
1 PLACE	±									
0 PLACES	±									
DRAFT WHERE APPLICABLE MUST REMAIN WITHIN DIMENSIONS		THIRD ANGLE PROJECTION	DRAWING	SERIES	MATERIAL NUMBER	CUSTOMER	DOCUMENT NUMBER	DOC TYPE	DOC PART	REVISION
			A3-SIZE	53625	SEE CHART	GENERAL MARKET	SD-53625-003	PSD	001	B1
										SHEET NUMBER
										1 OF 3



Z 部詳細
DETAIL Z



PS	PS	0.5	94	90	84.4	88±0.3	42.2	70.7	53625-2074	200
								64.4	53625-1874	180
CARD BOARD	PP	0.6	-	72.4	68.4	72±0.3	34.2	58	53625-1674	160
								51.6	53625-1474	140
								45.3	53625-1274	120
リール REEL	キャリアテープ CARRIER TAPE	G	F	E	D	C キャリアテープ幅 CARRIER TAPE WIDTH	B	A	オーダー番号 ORDER NO.	極数 CKT

THIS DRAWING CONTAINS INFORMATION THAT IS PROPRIETARY TO MOLEX ELECTRONIC TECHNOLOGIES, LLC AND SHOULD NOT BE USED WITHOUT WRITTEN PERMISSION

DIMENSION UNITS	SCALE	CURRENT REV DESC: REMOVED OBSOLETE PART NUMBERS AS PER PCN#514995.	
mm	---		
GENERAL TOLERANCES (UNLESS SPECIFIED)			
ANGULAR TOL	± 30°		
4 PLACES	± 0.2	EC NO: 820689	2025/03/26
3 PLACES	± 0.25	DRWN: RAVINR1	2025/05/21
2 PLACES	± 0.3	CHK'D: GB	2025/05/21
1 PLACE	±	APPR: GB	
0 PLACES	±	INITIAL REVISION:	
DRAFT WHERE APPLICABLE MUST REMAIN WITHIN DIMENSIONS		DRWN: YWADA	2004/05/26
		APPR: MSASAO	2004/05/31
THIRD ANGLE PROJECTION		DRAWING	SERIES
DRAWING		A3-SIZE	53625
MATERIAL NUMBER		CUSTOMER	SHEET NUMBER
SEE CHART		GENERAL MARKET	3 OF 3

molex

53625-**72 TAPING PACKAGE

PRODUCT CUSTOMER DRAWING

DOCUMENT NUMBER: SD-53625-003
DOC TYPE: PSD
DOC PART: 001
REVISION: B1