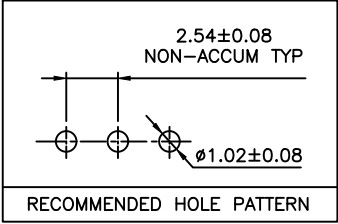
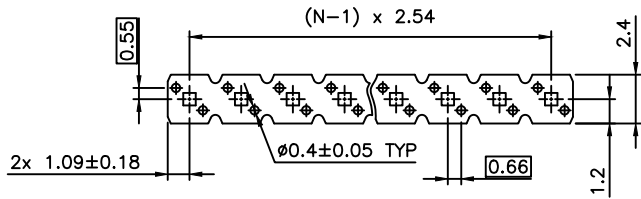


WE RECOMMEND THESE CONNECTORS FOR OPTIMAL SERVICE LEVEL

Preferred Part

- SHORT LEAD-TIMES
- LOW MOQs
- QUICK SAMPLING
- AVAILABLE AT DISTRIBUTION

- Preferred Part**
- 77311-101-02LF
 - 77311-101-03LF
 - 77311-101-04LF
 - 77311-101-05LF
 - 77311-101-06LF
 - 77311-101-07LF
 - 77311-101-08LF
 - 77311-101-09LF
 - 77311-101-10LF



PLATING _____

1 = 0.76µm GOLD/GXT ON CONTACT AREA
2µm TIN MIN ON TAIL
1.27µm Ni MIN UNDERLAYER

PIN STYLE _____

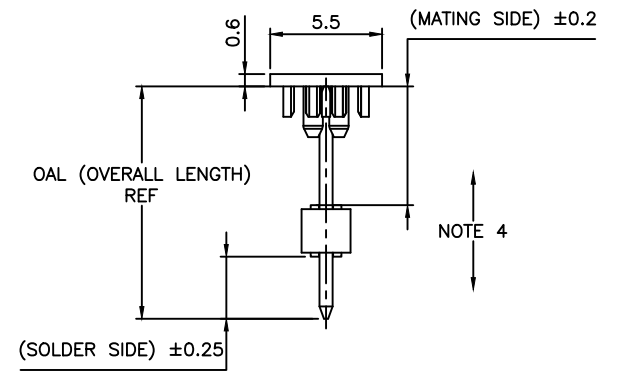
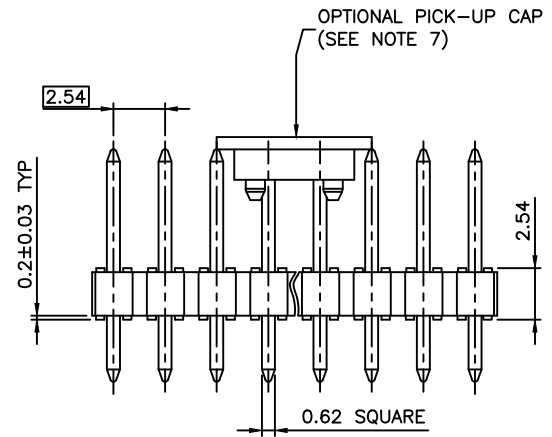
RoHS COMPATIBLE SEE NOTE 6

TOTAL NB OF POSITIONS _____

PACKAGING : - = POLYBAG

NOTES:

- HOUSING MAT'L : HIGH TEMPERATURE THERMOPLASTIC. UL94V-0 COLOR: BLACK
- PIN MATERIAL : PHOSPHOR BRONZE
- BERGSTIK PRODUCT PACKAGED IN POLYBAGS. BERGSTRIIP PRODUCT PACKAGED PER REELS.
- 9N MIN RETENTION IN EITHER DIRECTION
- TO DETERMINE DIMENSIONS :
N = NUMBER OF POSITIONS PER ROW
EXAMPLE : 8 POS N x 2.54 = 20.32mm
- RoHS COMPATIBLE PRODUCT SPECIFICATIONS
 - PLATING:
 - "LF" MEANS THE PRODUCT IS LEAD-FREE, 2µm MINIMUM MATTE TIN OVER 1.27µm MINIMUM NICKEL UNDERPLATE.
 - MANUFACTURING PROCESS COMPATIBILITY
 - THE HOUSING WILL WITHSTAND EXPOSURE TO 260°C ±5°C SOLDER BATH TEMPERATURE FOR 5 SECONDS IN A WAVE SOLDER APPLICATION WITH A 1.6mm MIN THICK CIRCUIT BOARD.
 - REFLOW COMPATIBLE
 - LABELING:
 - MEETS PACKAGING SPECS AS PER GS-14-920
 - LEGAL STATEMENT: SEE GS-47-0004
- THIS PART SERIES IS NOT INITIALLY INTENDED FOR AUTOMOTIVE APPLICATIONS. ADDITIONAL FEES ARE CHARGEABLE FOR ANY ADDITIONAL QUALIFICATION AND TEST REPORTS PERFORMED OUTSIDE THE SCOPE OF THE STANDARD PRODUCT SPECIFICATIONS.
- UNLESS OTHERWISE APPROVED BY AMPHENOL, ALL PARTS AND COMPONENTS ARE DESIGNED & BUILT ACCORDING TO AMPHENOL'S SPECIFICATIONS WHICH ARE SUBJECT TO CHANGE WITHOUT NOTICE.



mat'l. code		surface		tolerance		projection		product family	
SEE NOTES		ISO 1302 ✓		ISO 406 ISO 1101		mm		BERGSTIK	
ltr	ecn no	dr	date	tolerances unless otherwise specified		mm		title	
DE	F-55486	DDE	25.04.16	angles	linear	.x ±0.3	UNSHR.HEADER		
DF	F-56758	DDE	25.08.04			.xx ±0.15	STR SR TMT		
DG	F-58214	DDE	25.11.19			.xxx ±0.05	scale 5:1		
DH	F-285470	DDE	26.04.07	dr	D.LEGRAND	01.01.24	dwg no		sheet 1 of 4
				enr	J.COMPAGNON	01.01.24	77311		size A3
DC	F-52795	DDE	24.09.04	chr	J.COMPAGNON	01.01.24	type		CUSTOMER Drawing
DD	F-54440	DDE	25.01.27	appd	JF.NOTTEAU	01.01.24			
sheet	revision	DH	CE	A	V				
index	sheet	1	2	3	4				

Amphenol FCI FCIconnect.com

Copyright FCI

EXTENDED RANGE

PRODUCT NUMBER
77311-YXX-XXLF

PLATING, SEE BELOW
(AS AVAILABLE)

PIN STYLE, SEE SHEET 4
(AS AVAILABLE)

RoHS COMPATIBLE
SEE NOTE 6 ON SHEET 1

TOTAL NB OF POSITIONS 01 TO 36

OPTION LETTER, SEE ON RIGHT
(MAY BE SUBJECT TO TOOLING FEES)

OPTIONS :

BLANK = POLYBAG PACKAGING

K = TAPE & REEL PACKAGING, WITHOUT PICK UP CAP, AS AVAILABLE

A = TAPE & REEL PACKAGING, WITH PICK UP CAP. AS AVAILABLE

KC = TAPE & REEL PACKAGING WITHOUT PICK UP CAP AND WITH HIGH RETENTION FEATURES

KV = TAPE & REEL PACKAGING WITHOUT PICK UP CAP FOR CUSTOMER DEDICATED PART ONLY FOR P/N 77311-462KV04LF

AV = TAPE & REEL PACKAGING WITH PICK UP CAP FOR CUSTOMER DEDICATED PART

C = HIGH RETENTION FEATURES, FROM 03 TO 36POS, SEE SHEET 2

V = BLIBOX PACKAGING FOR CUSTOMER DEDICATED PART. ONLY FOR 77311-4BNV01LF

R = RETENTION FEATURES, SEE BELOW

IF RETENTION FEATURE "R" AND TUBE PACKAGING "T" ARE BOTH REQUIRED

OPTIONAL LETTER "R" WILL APPEAR INSTEAD OF THE FIRST DASH

EXAMPLE : 77311R424T03LF

ERP = POLYBAG PACKAGING FOR DEDICATED CUSTOMER, WITH SPECIFIC LABEL

PLATING :

1 = 0.76µm GOLD/GXT ON CONTACT AREA, 2µm TIN MIN ON TAIL

4 = 2µm TIN MIN FULL PLATED

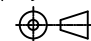
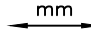
8 = 0.38µm GOLD/GXT ON CONTACT AREA, 2µm TIN MIN ON TAIL

G = 0.76µm FULL GXT

S = 0.38µm FULL GXT

T = 2µm TIN MIN FULL PLATED INCLUDED PIN TIP

- 1.27µm NICKEL MIN UNDERLAYER FOR ALL PLATING VERSIONS

mat'l. code				surface ISO 1302 <input checked="" type="checkbox"/> ISO 406 ISO 1101		tolerance tolerances unless otherwise specified		projection 		product family BERGSTIK		
ltr	ecn no	dr	date	tolerances unless otherwise specified		angles linear		mm 		title UNSHR.HEADER STR SR TMT		
CC	F-52795	DDE	24.09.04					scale N/A		dwg no		
CD	F-54440	DDE	25.01.27							sheet 2 of 4		
CE	F-58214	DDE	25.11.19							size A3		
		dr		D.LEGRAND	01.01.24					77311		
BY	F-39392	DDE	20.12.18	enfr	J.COMPAGNON	01.01.24					Drawing	
CA	F-39850	DDE	23.01.13	chr	J.COMPAGNON	01.01.24					type CUSTOMER	
CB	F-49467	DDE	23.10.12	appd	JF.NOTTEAU	01.01.24						
sheet	revision											
index	sheet											

EXTENDED RANGE

PRODUCT NUMBER (BERGSTRIIP PACKAGING)
77311-YXX-OOLF

PLATING

1= 0.76µm GOLD/GXT ON CONTACT AREA, 2µm TIN MIN ON TAILS

8= 0.38µm GOLD/GXT ON CONTACT AREA, 2µm TIN MIN ON TAILS

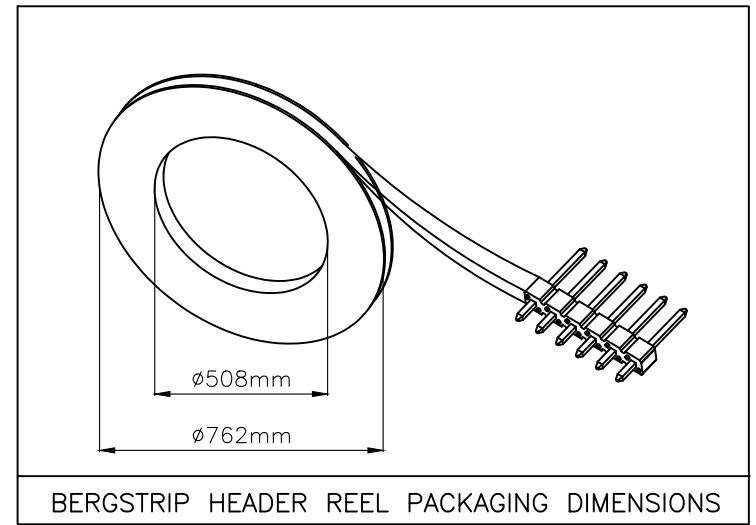
4= 2.0µm TIN MIN FULL PLATED

1.27µm NICKEL MIN UNDERLAYER FOR ALL PLATING VERSIONS

INDICATES THE PRODUCT IS RoHS COMPATIBLE, SEE NOTE 6

POSITIONS PER REEL : 00=36,000 (BERGSTRIIP)

PIN STYLE	MATING	SOLDER	OAL
01	5.84	2.41	10.8
02	5.84	3.42	11.8
18	5.84	3.05	11.43
22	7.75	3.05	13.35
24	6.75	2.9	12.2
27	6.6	2.66	11.8



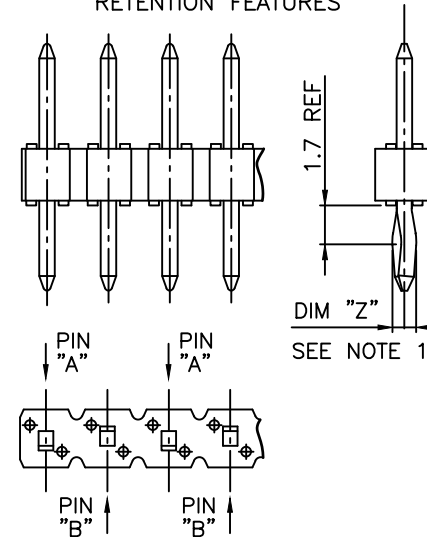
RETENTION FEATURES :

- PART NUMBER 77311-XXXRXXLF: DIM "Z"=(0.99)
PART NUMBER 77311-XXXCXXLF: DIM "Z"= 1.05MIN -1.15MAX
- PINS "A" AND "B" USED FOR RETENTION.
- DIRECTION OF RETENTION SHOWN BY ARROWS.
- ON 4 TO 36 POSITIONS HEADER; RETENTION IS IN MID POSITION OF HEADER (4 CENTRAL PINS)
- FOR RETENTION OPTION , SOLDER TAIL LENGTH TO BE 2.9 MIN UP TO 3.5 MAX.
- HOUSING MATERIAL FOR P/N 77311-4AJC03LF & 77311-TAJC03LF HIGH TEMPERATURE THERMOPLASTIC UL94V-0 COLOR : NATURAL

PLATING SPECIFICATIONS :

- ONLY FOR PLATING 1XX, 8.0MM GOLD / GXT PLATING AREA FROM PIN TYPE ON MATING SIDE

RETENTION FEATURES



mat'l. code		surface ISO 1302 <input checked="" type="checkbox"/> ISO 406 <input type="checkbox"/> ISO 1101 <input type="checkbox"/>		tolerance ISO 406 ISO 1101		projection		product family BERGSTIK	
ltr	ecn no	dr	date	tolerances unless otherwise specified		title		UNSHR.HEADER	
A	F-54440	DDE	25.01.27	angles	linear	mm		STR SR TMT	
						scale N/A		dwg no 77311	
				dr D.LEGRAND 01.01.24		Amphenol FCI		sheet 3 of 4	
				enrg J.COMPAGNON 01.01.24				size A3	
				chr J.COMPAGNON 01.01.24				type CUSTOMER Drawing	
				appd JF.NOTTEAU 01.01.24					
sheet index	revision sheet								

