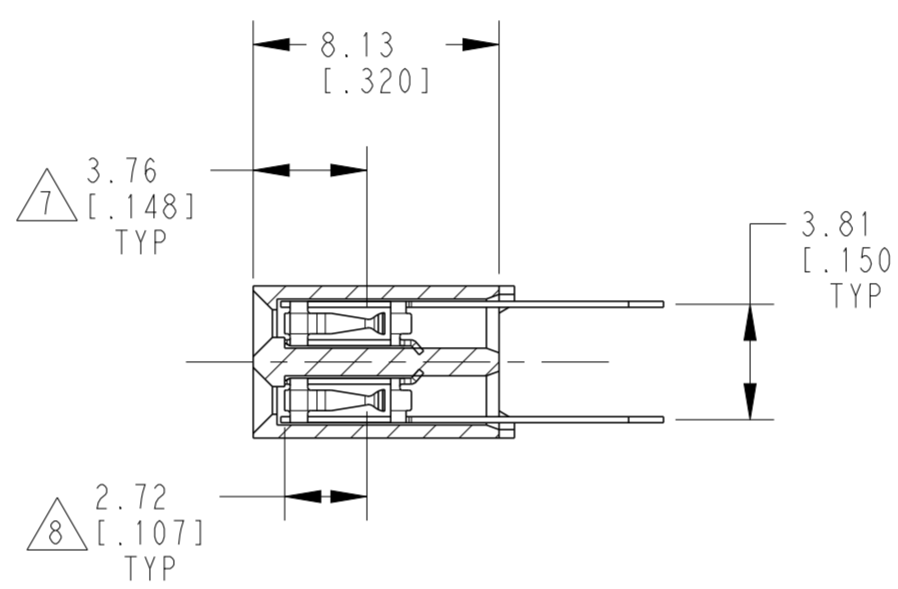
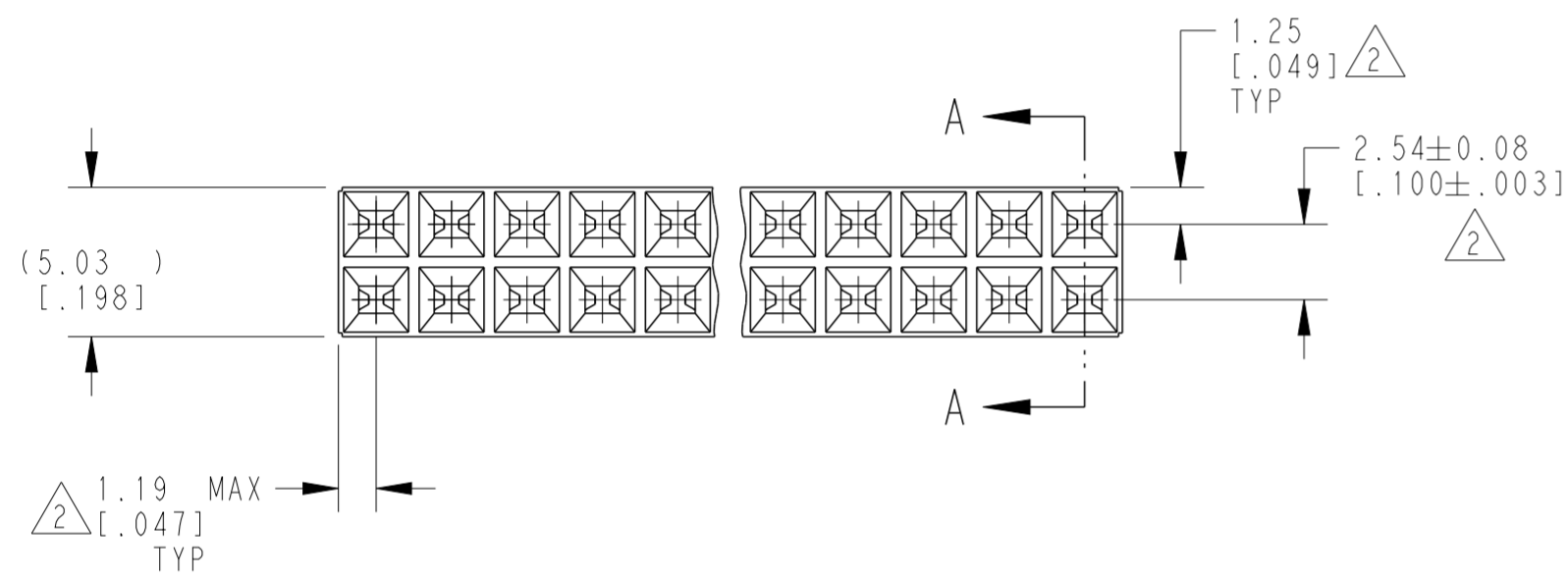
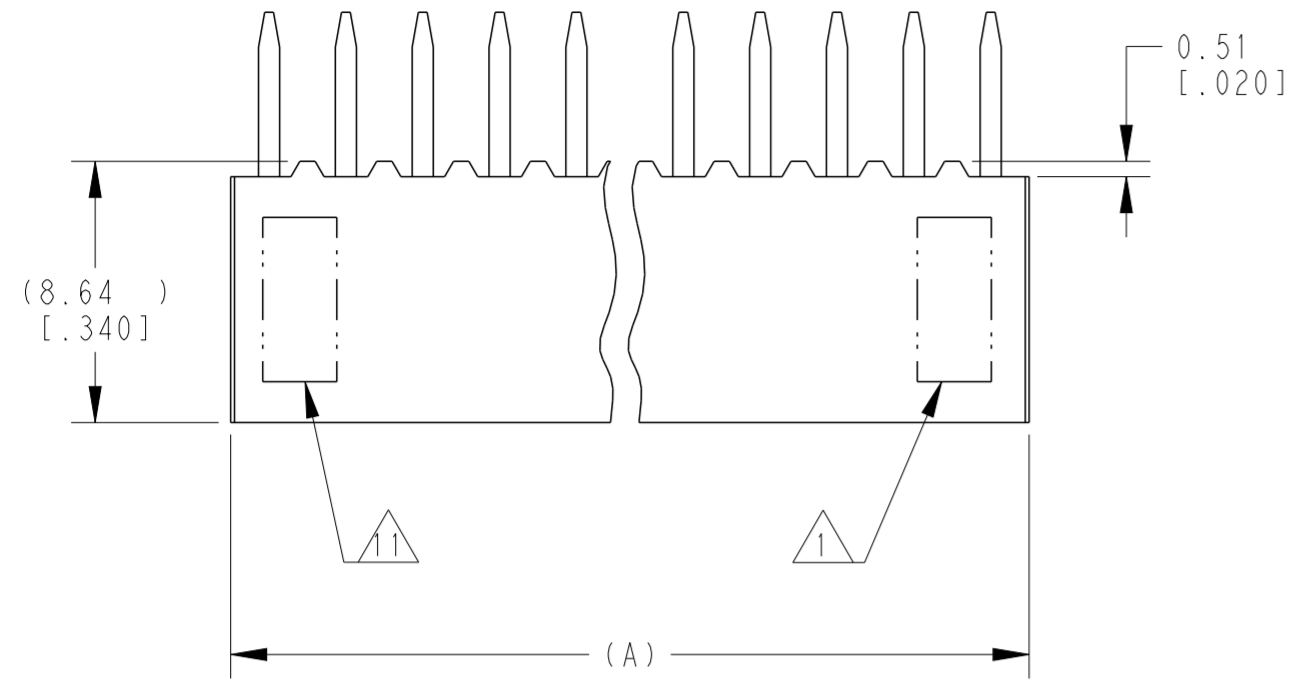
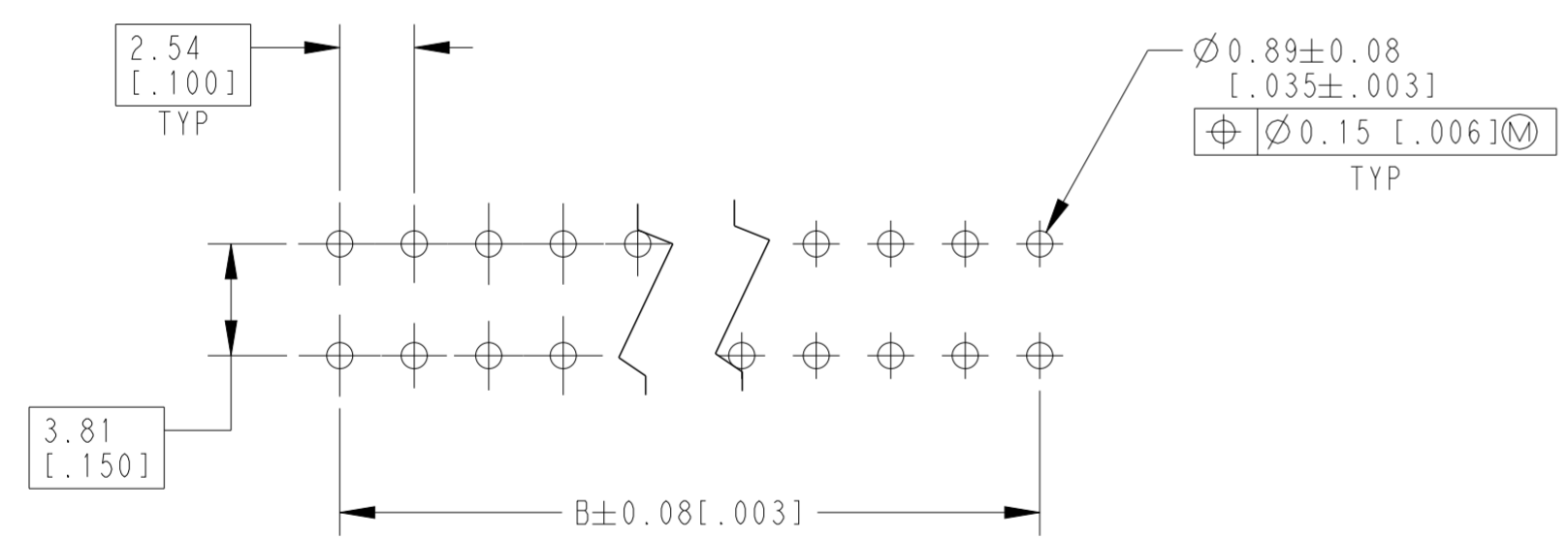


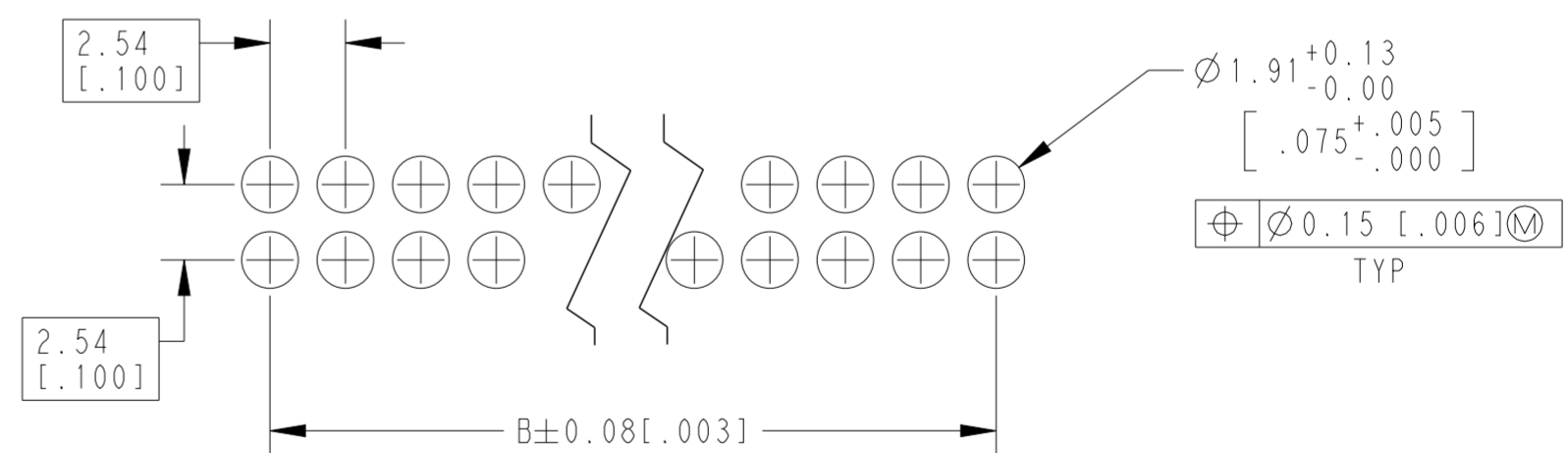
P	LTR	DESCRIPTION	DATE	DWN	APVD
W		RESIN SUPPLIER CHANGE FOR THE HOUSING	03DEC2021	SCB	KJK
Y		RIB FEATURE IS ADDED IN THE STANDOFF FEATURE	27MAR2026	LS	GVP



SECTION A-A



RECOMMENDED HOLE LAYOUT FOR TOP ENTRY



RECOMMENDED HOLE LAYOUT FOR BOTTOM ENTRY OR PASS THROUGH APPLICATIONS

- 1 TE CONNECTIVITY LOGO AND CSA LOGO ARE MOLDED INTO THE HOUSING.
- 2 TOLERANCE NON-CUMULATIVE.
- 3 DUPLEX PLATED: 0.00076 (.000030) GOLD IN CONTACT AREA, 0.00381 - 0.00762 (.000150 - .000300) BRIGHT TIN-LEAD ON LEADS, ALL OVER 0.00127 (.000050) MIN NICKEL.
- 4 THESE DIMENSIONS PERTAIN TO CAVITY C/L'S ONLY, NOT TO CONTACT LOCATIONS.
- 5 NO PART NUMBER MARKING REQUIRED ON THIS PART NUMBER.
- 6 HOUSING: FLAME RETARDANT GLASS FILLED POLYESTER - BLACK. CONTACTS: PHOS. BRONZE.
- 7 POINT OF CONTACT DIMENSION.
- 8 POINT OF MEASUREMENT FOR PLATING THICKNESS (INSIDE CONTACT BEAMS).
- 9 DUPLEX PLATED: 0.00076 (.000030) GOLD DUPLEX IN CONTACT AREA, 0.00381-0.00762 (.000150 - .000300) MATTE TIN ON LEADS, ALL OVER 0.00127 (.000050) MIN NICKEL.
- 10 ROHS 2002/95/EC COMPLIANT
- 11 PART NUMBER AND DATE CODE ARE MARKED IN APPROXIMATE LOCATION SHOWN.
- 12 OBSOLETE PARTS: OBSOLETE CIS STREAMLINING PER D.RENAUD/D.SINISI

THIS DRAWING IS A CONTROLLED DOCUMENT.		DWN R BOLES 19-11-92	TE Connectivity	
		CHK T KINSEY 19-11-92		
DIMENSIONS: mm [INCHES]	TOLERANCES UNLESS OTHERWISE SPECIFIED:	APVD -	NAME ASSEMBLY, MOD II DOUBLE ROW, .100 X .100 C/L, VERTICAL MOUNTED, CLOSED ENTRY, SHORT PT. CONTACTS	RESTRICTED TO -
	0 PLC ± 1 PLC ± 2 PLC ± 3 PLC ±0.13 [.005] 4 PLC ± ANGLES ± FINISH	PRODUCT SPEC 108-25026	SIZE A2	CAGE CODE 00779
MATERIAL 6	3 9	APPLICATION SPEC 114-25018	DRAWING NO 534236	SCALE 4:1
CUSTOMER DRAWING		WEIGHT -	SHEET 1 OF 2	REV Y

REVISIONS					
P	LTR	DESCRIPTION	DATE	DWN	APVD
-	-	SEE SHEET 1	-	-	-

FINISH	A	B	NO OF POSN	PART NUMBER
5	33.02[1.300]	30.48[1.200]	26	10 9-534236-1
5	101.60[4.000]	99.06[3.900]	80	10 9-534236-0
5	99.06[3.900]	96.52[3.800]	78	10 8-534236-9
5	96.52[3.800]	93.98[3.700]	76	10 8-534236-8
5	93.98[3.700]	91.44[3.600]	74	10 8-534236-7
5	91.44[3.600]	88.90[3.500]	72	10 8-534236-6
5	88.90[3.500]	86.36[3.400]	70	10 8-534236-5
5	86.36[3.400]	83.82[3.300]	68	10 8-534236-4
5	83.82[3.300]	81.28[3.200]	66	10 8-534236-3
5	81.28[3.200]	78.74[3.100]	64	10 8-534236-2
5	78.74[3.100]	76.20[3.000]	62	10 8-534236-1
5	76.20[3.000]	73.66[2.900]	60	10 8-534236-0
5	73.66[2.900]	71.12[2.800]	58	10 7-534236-9
5	71.12[2.800]	68.58[2.700]	56	10 7-534236-8
5	68.58[2.700]	66.04[2.600]	54	10 7-534236-7
5	66.04[2.600]	63.50[2.500]	52	10 7-534236-6
5	63.50[2.500]	60.96[2.400]	50	10 7-534236-5
5	60.96[2.400]	58.42[2.300]	48	10 7-534236-4
5	58.42[2.300]	55.88[2.200]	46	10 7-534236-3
5	55.88[2.200]	53.34[2.100]	44	10 7-534236-2
5	53.34[2.100]	50.80[2.000]	42	10 7-534236-1
5	50.80[2.000]	48.26[1.900]	40	10 7-534236-0
5	48.26[1.900]	45.72[1.800]	38	10 6-534236-9
5	45.72[1.800]	43.18[1.700]	36	10 6-534236-8
5	43.18[1.700]	40.64[1.600]	34	10 6-534236-7
5	40.64[1.600]	38.10[1.500]	32	10 6-534236-6
5	38.10[1.500]	35.56[1.400]	30	10 6-534236-5
5	35.56[1.400]	33.02[1.300]	28	10 6-534236-4
5	33.02[1.300]	30.48[1.200]	26	10 6-534236-3
5	30.48[1.200]	27.94[1.100]	24	10 6-534236-2
5	27.94[1.100]	25.40[1.000]	22	10 6-534236-1
5	25.40[1.000]	22.86[.900]	20	10 6-534236-0
5	22.86[.900]	20.32[.800]	18	10 5-534236-9
5	20.32[.800]	17.78[.700]	16	10 5-534236-8
5	17.78[.700]	15.24[.600]	14	10 5-534236-7
5	15.24[.600]	12.70[.500]	12	10 5-534236-6
5	12.70[.500]	10.16[.400]	10	10 5-534236-5
5	10.16[.400]	7.62[.300]	8	10 5-534236-4
5	7.62[.300]	5.08[.200]	6	10 5-534236-3
5	5.08[.200]	2.54[.100]	4	10 5-534236-2
5	2.54[.100]	-	2	10 5-534236-1

FINISH	A	B	NO OF POSN	PART NUMBER
12	33.02[1.300]	30.48[1.200]	26	4-534236-1
12	101.60[4.000]	99.06[3.900]	80	4-534236-0
12	99.06[3.900]	96.52[3.800]	78	3-534236-9
12	96.52[3.800]	93.98[3.700]	76	3-534236-8
12	93.98[3.700]	91.44[3.600]	74	3-534236-7
12	91.44[3.600]	88.90[3.500]	72	3-534236-6
12	88.90[3.500]	86.36[3.400]	70	3-534236-5
12	86.36[3.400]	83.82[3.300]	68	3-534236-4
12	83.82[3.300]	81.28[3.200]	66	3-534236-3
12	81.28[3.200]	78.74[3.100]	64	3-534236-2
12	78.74[3.100]	76.20[3.000]	62	3-534236-1
12	76.20[3.000]	73.66[2.900]	60	3-534236-0
12	73.66[2.900]	71.12[2.800]	58	2-534236-9
12	71.12[2.800]	68.58[2.700]	56	2-534236-8
12	68.58[2.700]	66.04[2.600]	54	2-534236-7
12	66.04[2.600]	63.50[2.500]	52	2-534236-6
12	63.50[2.500]	60.96[2.400]	50	2-534236-5
12	60.96[2.400]	58.42[2.300]	48	2-534236-4
12	58.42[2.300]	55.88[2.200]	46	2-534236-3
12	55.88[2.200]	53.34[2.100]	44	2-534236-2
12	53.34[2.100]	50.80[2.000]	42	2-534236-1
12	50.80[2.000]	48.26[1.900]	40	2-534236-0
12	48.26[1.900]	45.72[1.800]	38	1-534236-9
12	45.72[1.800]	43.18[1.700]	36	1-534236-8
12	43.18[1.700]	40.64[1.600]	34	1-534236-7
12	40.64[1.600]	38.10[1.500]	32	1-534236-6
12	38.10[1.500]	35.56[1.400]	30	1-534236-5
12	35.56[1.400]	33.02[1.300]	28	1-534236-4
12	33.02[1.300]	30.48[1.200]	26	1-534236-3
12	30.48[1.200]	27.94[1.100]	24	1-534236-2
12	27.94[1.100]	25.40[1.000]	22	1-534236-1
12	25.40[1.000]	22.86[.900]	20	1-534236-0
12	22.86[.900]	20.32[.800]	18	534236-9
12	20.32[.800]	17.78[.700]	16	534236-8
12	17.78[.700]	15.24[.600]	14	534236-7
12	15.24[.600]	12.70[.500]	12	534236-6
12	12.70[.500]	10.16[.400]	10	534236-5
12	10.16[.400]	7.62[.300]	8	534236-4
12	7.62[.300]	5.08[.200]	6	534236-3
12	5.08[.200]	2.54[.100]	4	534236-2
12	2.54[.100]	-	2	534236-1

THIS DRAWING IS A CONTROLLED DOCUMENT.

DWN R BOLES 19-11-92
CHK T KINSEY 19-11-92
APVD -

TE Connectivity

ASSEMBLY, MOD II DOUBLE ROW,
.100 X .100 C/L, VERTICAL MOUNTED,
CLOSED ENTRY, SHORT PT. CONTACTS

PRODUCT SPEC 108-25026
APPLICATION SPEC 114-25018

SIZE A2 CAGE CODE 00779 DRAWING NO C-534236

RESTRICTED TO -

CUSTOMER DRAWING SCALE 5:1 SHEET 2 OF 2 REV Y