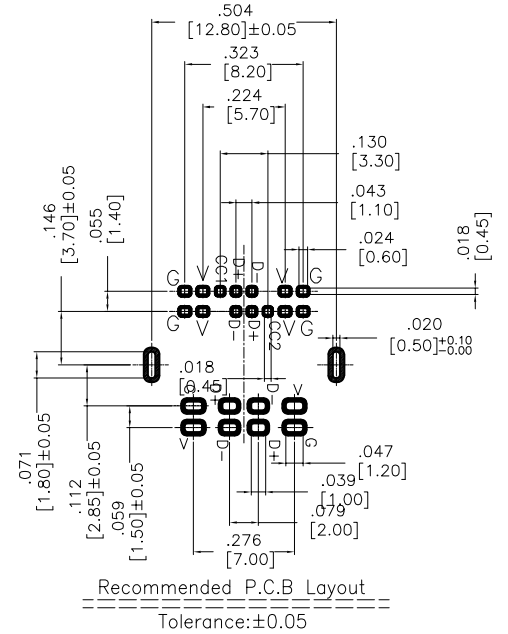
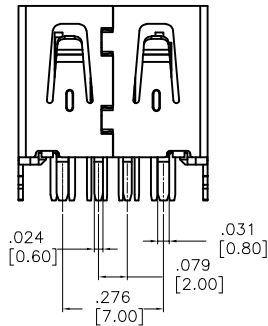
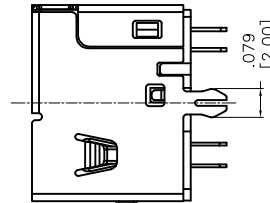
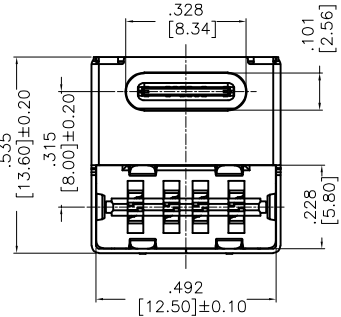
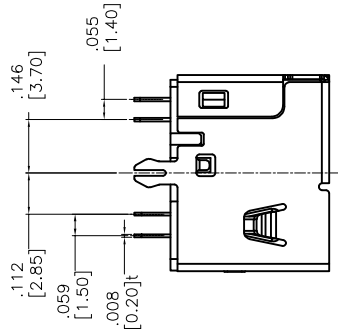
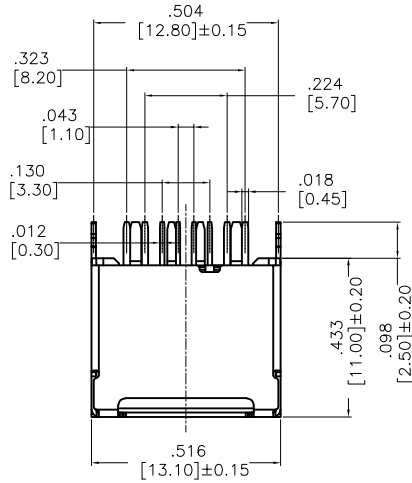
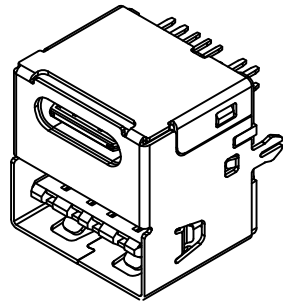


APPROVED: _____

DATE: _____ TITLE: _____

Rev	AWO #	Description	Date	Appr
-		RELEASED	2/26/18	
A		UPDATE TITLE	5/11/26	WY/RC



SPECIFICATIONS:

Material:
 Insulator: High Temp Thermoplastic, rated UL 94V-0
 Insulator color: Black
 Contacts: Copper Alloy
 Shell: Copper Alloy, Nickel plated
 Plating:
 Gold flash over Nickel underplate on contact area,
 Tin over Nickel underplate on solder tails
 Electrical:

Rated voltage: 30V AC/DC
 Rated current: 1.25 A max.
 Contact resistance: 30 mohms max.
 Insulation resistance: 500 Mohms min. @ 500 VDC
 Dielectric withstanding voltage: 500 VAC for 1 minute
 Environmental:
 Lead free, RoHS compliant.



UNLESS OTHERWISE SPECIFIED ALL DIMENSIONS ARE INCHES [MM]. TOLERANCES: EXCEPT AS NOTED		
.X ± .10	∅X ± .10	
INCHES .XX ± .020	HOLES ∅XX ± .015	
.XXX ± .015	∅XXX ± .010	
DRAWN	AY	2/26/18
CHECKED	MY	2/26/18
APPROVED		
CONFIDENTIAL AND PROPRIETARY © Adam Tech. All rights reserved. This document contains confidential and proprietary information belonging to Adam Tech. It is provided solely for design and reference purposes by authorized parties. Any reproduction, distribution, display, or disclosure to third parties, in whole or in part, without the prior written consent of Adam Tech, is strictly prohibited. Adam Tech retains all rights, including copyright, trademark, trade secret, and all other intellectual property rights worldwide.		

	909 Rahway Avenue, Union, NJ 07083 Phone: 908-687-5000 adam-tech.com	
	TITLE UNIVERSAL SERIAL BUS, DUAL PORT, VERTICAL, TYPE A OVER C3.1, PCB, TERMINALS TRANSMISSION EFFICIENCY: USB 2.0 (480Mb/s) and USB 3.2 Gen 1 (5Gb/s)	
SIZE X	PART NO. USB-A-C31-D-VT	REV. A
REF:	SCALE: NTS	SHEET 1 OF 1