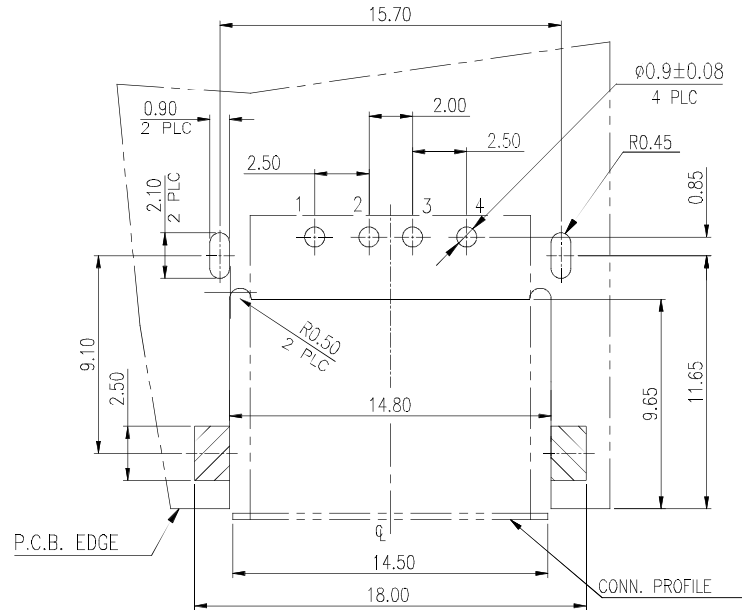
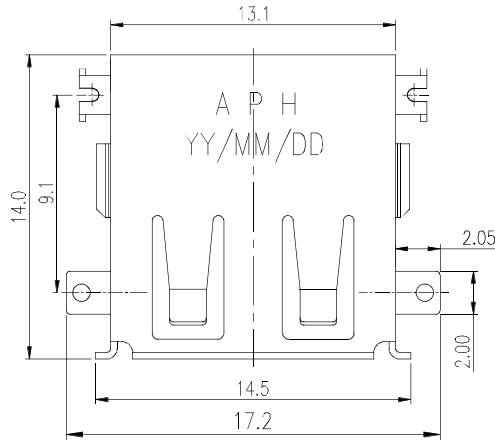


This document is the property of Amphenol Corporation and is delivered on the express condition that it is not to be disclosed, reproduced or used, in whole or in part, for manufacture or sale by anyone other than Amphenol Corporation without its prior consent, and that no right is granted to disclose or to use any information in this document.

The marking on this product doesn't contain environmental hazardous materials per Material Specification 55-00259 For Sony GP compliant or per directive 2011/65/EU for RoHS compliant.

ORIGINAL

REVISIONS				
S/Rev	ECN No.	DESCRIPTION	DATE	APPROVED
A		RELEASE REVISION	10/04/2011	Arron Lin
B	NE-14085	ADD YELLOW COLOR AND 2.5mm TAIL OPTION	05/08/2014	Arron Lin



RECOMMEND P.C.B LAYOUT (THICKNESS=1.2mm)
(COMPONENT SIDE) TOLERANCE±0.05

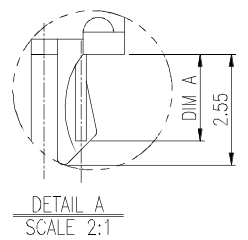
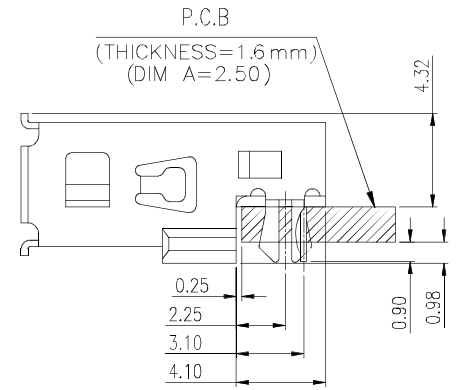
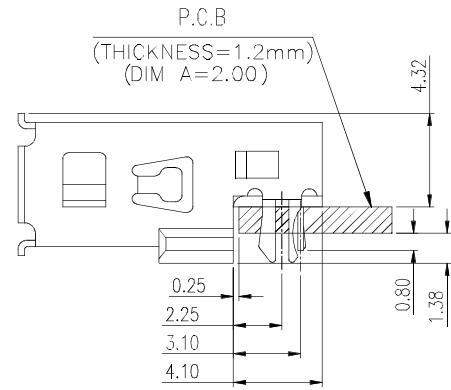
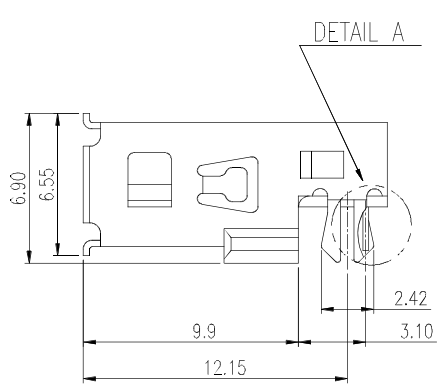
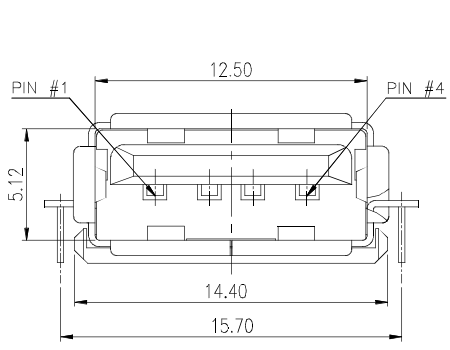
RECOMMEND SOLDER PAD AREA

- NOTES:
- MATERIAL:
HOUSING: HIGH TEMPERATURE THERMAL PLASTIC PART , UL94V-0, COLOR: OPTIONS.
TERMINAL: COPPER ALLOY.
SHELL: COPPER ALLOY.
 - FINISH:
TERMINAL:
CONTACT AREA: 30 μ" GOLD PLATING.
SOLDERING AREA: MATTE TIN PLATING 100 μ" THICKNESS MIN.;
UNDER PLATING: NICKEL PLATING 50 μ" THICKNESS MIN. OVERALL
SHELL:
MATTE TIN PLATING 100 μ" THICKNESS MIN. OVERALL;
NICKEL UNDER PLATING 50 μ" THICKNESS MIN. OVERALL
 - PACKING IS PER AMTA PACKING SPECIFICATION PKS-0001.
 - THIS PRODUCT DOESN'T CONTAIN ENVIRONMENTAL HAZARDOUS PER DIRECTIVE 2011/65/EU FOR RoHS COMPLIANT.

GSB1262 X X A1EU

COLOR OPTIONS
1: BLACK
4: YELLOW (107U)

DIM A OPTIONS
BLANK: 2.00mm
E: 2.50mm



TOLERANCE	APPROVALS	DATE	TITLE
X. ±0.30	DRAWN Debby Hung	05/08/2014	USB CONNECTOR, A TYPE RECEPTACLE, SINK TYPE
X.X ±0.20	CHECKED Roger Tsai	05/08/2014	
X.XX ±0.10	APPROVED Arron Lin	05/08/2014	
X.XXX ±0.10	DWG TYPE CUST DWG	PROJECT CODE OTHER	

UNIT	SIZE	PART No.
mm	A3	GSB1262XXA1EU
SCALE NA	SHEET 1 OF 2	DWG No. GSB1262XXA1EU

Amphenol ®	
Amphenol Corporation Amphenol Taiwan Corporation	
REV. B	

This document is the property of Amphenol Corporation and is delivered on the express condition that it is not to be disclosed, reproduced or used, in whole or in part, for manufacture or sale by anyone other than Amphenol Corporation without its prior consent, and that no right is granted to disclose or to use any information in this document.

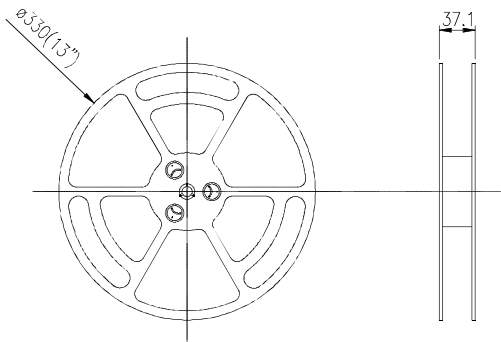
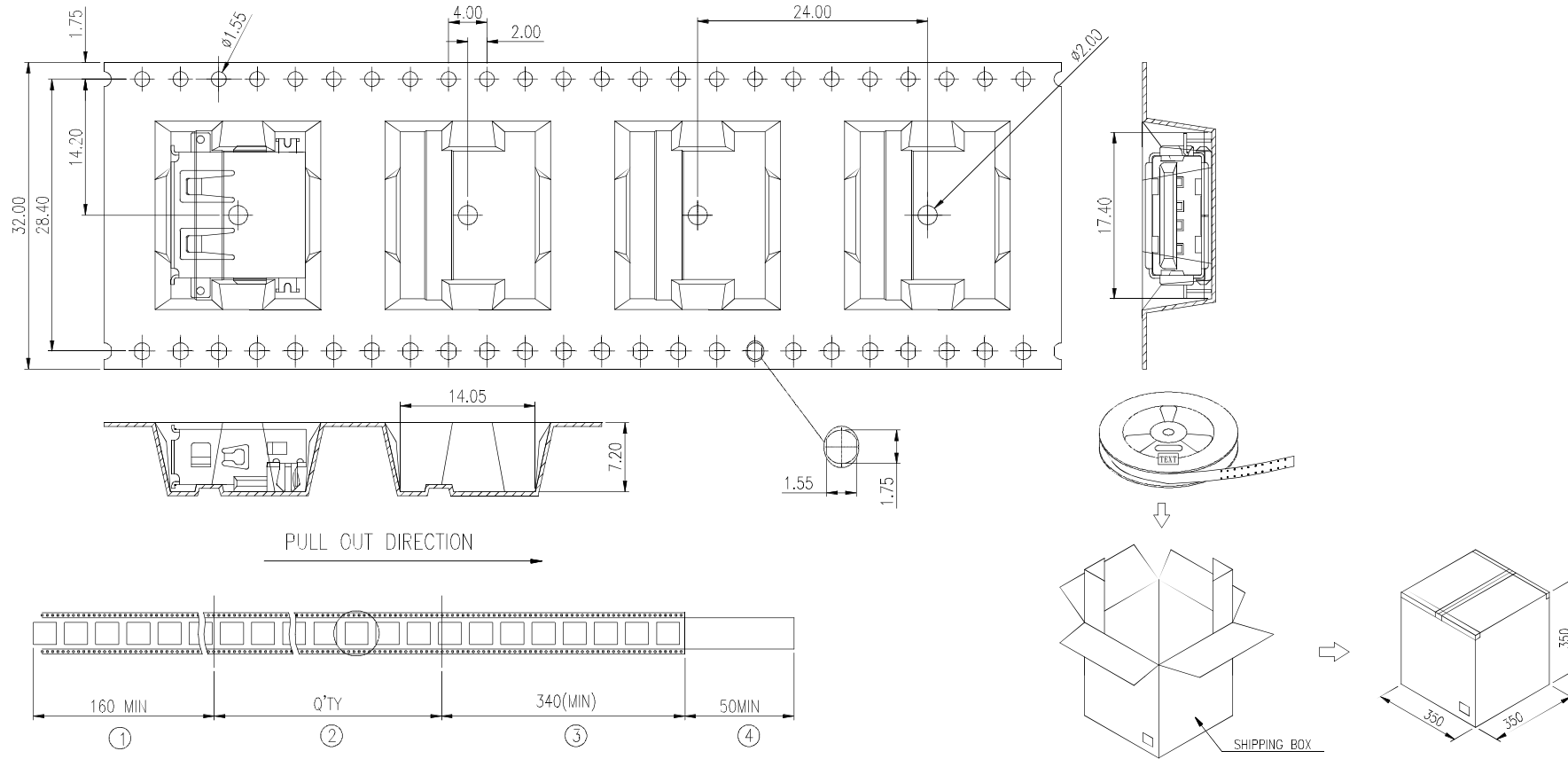
The marking on this product doesn't contain environmental hazardous materials per Material Specification SS-00259 for Sony GP compliant or per directive 2011/65/EU for RoHS compliant.



ORIGINAL



REVISIONS				
SYM	ECN No.	DESCRIPTION	DATE	APPROVED
A		RELEASE REVISION	10/04/2011	Arron Lin
B	NE-14085	ADD YELLOW COLOR AND 2.5mm TAIL OPTION	05/08/2014	Arron Lin



PACKAGING BY TAPE&REEL	10.25	4.95	350	9	3150	GSB1262XXA1EU
	G/W KG	N/W KG	PCS/ REEL	REELS/ CARTON	QUANTITY (PCS)	PART NUMBER

TOLERANCE	APPROVALS	DATE	TITLE		PART No.	
X. X.X X.XX X.XXX	DRAWN Debby Hung	05/08/2014	USB CONNECTOR, A TYPE RECEPTACLE, SINK TYPE		Amphenol [®] Amphenol Corporation Amphenol Taiwan Corporation	
	CHECKED Roger Tsai	05/08/2014				
	APPROVED Arron Lin	05/08/2014				
ANGULAR UNLESS OTHERWISE SPECIFIED	±1° CUST DWG	OTHER	UNIT mm SCALE NA	SIZE A3 SHEET 2 OF 2	PART No. GSB1262XXA1EU DWG No. GSB1262XXA1EU REV. B	