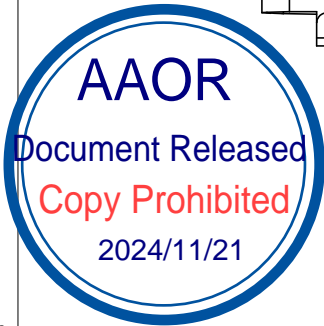
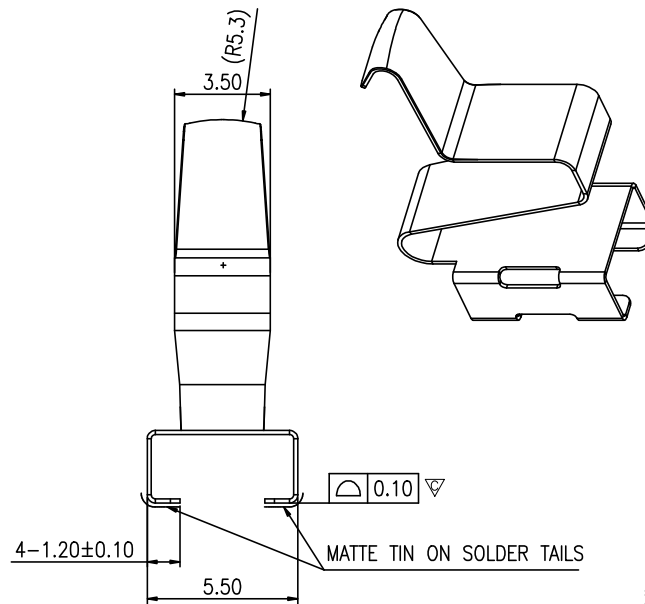
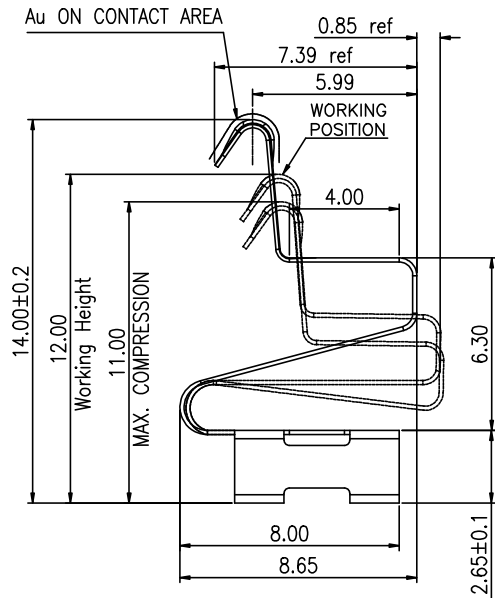


This document is the property of and embodies CONFIDENTIAL and PROPRIETARY information of AOR. No part of the information shown on this document may be used in any way or disclosed to others without the written consent of AOR. © 2019 AOR

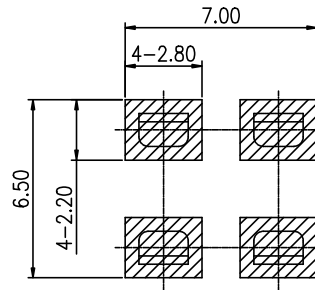
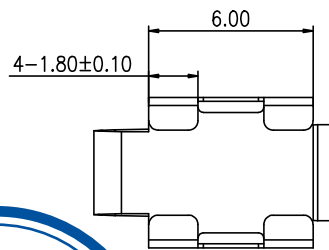
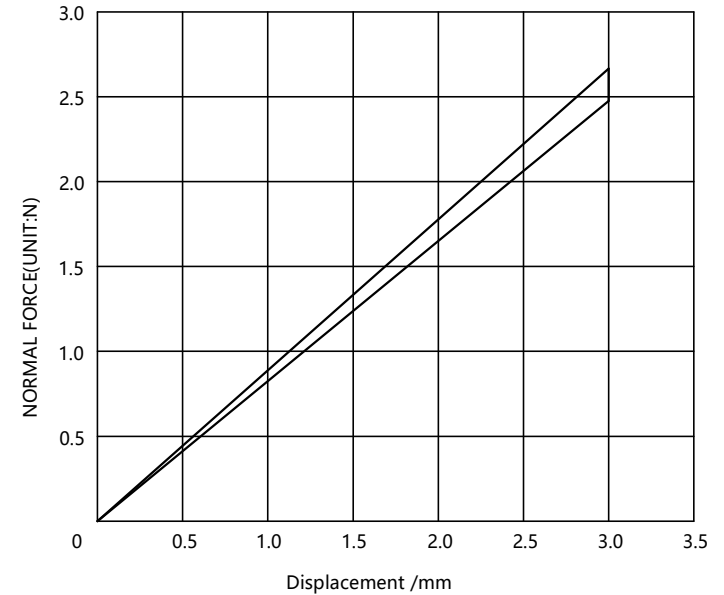


REV.	ECR/ECN No.	DESCRIPTION	DRAWN/DATE	CHECKED/DATE	APPROVED/DATE
C	ECN2022112	UPDATE FRAME	Abner 2022-07-20	Staven 2022-07-20	Sam 2022-07-20
D	ECN2024100801	增加按压行程及按压寿命	zhangzhiwei 24-09-10	tiger.tao 24-09-10	Rain Han 24-09-10



- NOTES:
- MATERIAL: SUS 304-H T=0.15mm;
 - BURR: 0.03mm MAX.
 - PLATING: 40u~120u" NICKEL UNDER PLATED OVERALL, 2u"Min Au ON CONTACT AREA; 100~200u" PURE MATTE TIN ON SOLDER TAILS.
 - ALL MATERIAL BE COMPLY WITH RoHS. AND SONY SS-00259;
 - ▽ MARKED IS CPK & X-R.
 - CURRENT: 3A MAX.
 - COMPRESSION LIFE: 25CYCLES
 - RECOMMENDER WORKING HEIGHT=12.0mm MIN FORCE=1.ON MIN;
 - ENVIRONMENTAL: OPERATING TEMPERATURE: -40° C TO +105° C;

NORMAL FORCE



PCB LAYOUT

UNLESS OTHERWISE SPECIFIED TOLERANCES			ANGLE OF PROJECTION		Amphenol AORORA		
X.	±0.38	X. °	± 3'		Amphenol Aorora Technology (Huizhou) Co.,Ltd		
X.X	±0.30	X.X °	± 2'		TITLE: H14mm SPRING MATTE TIN ON SOLDER TAILS		
X.XX	±0.25	X.XX °	± 1'	DOC TYP	Customer Drw		
X.XXX	±0.15	X.XXX °	± 1'	DRAWN	DATE	Staven 2018-12-18	
LINEAR DIMS			ANGLES DIMS		DESIGN	DATE	Staven 2018-12-18
P/N: A-S0527					CHECKED	DATE	Biao 2018-12-18
MATERIAL	SEE NOTES				APPROVED	DATE	Jimmy 2018-12-18
FINISHED	SEE NOTES				SCALE	1:1	UNIT : mm SHEET 1 OF 1
					SIZE	DWG NO.	REV.
					A4	Z01U-4G7L1-11000-E000	D