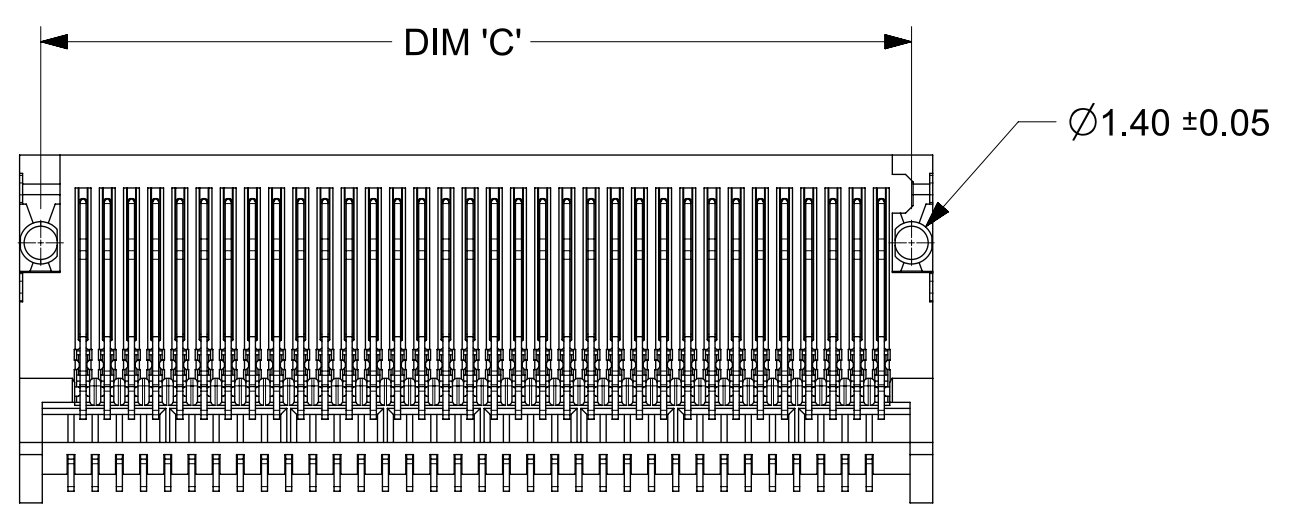
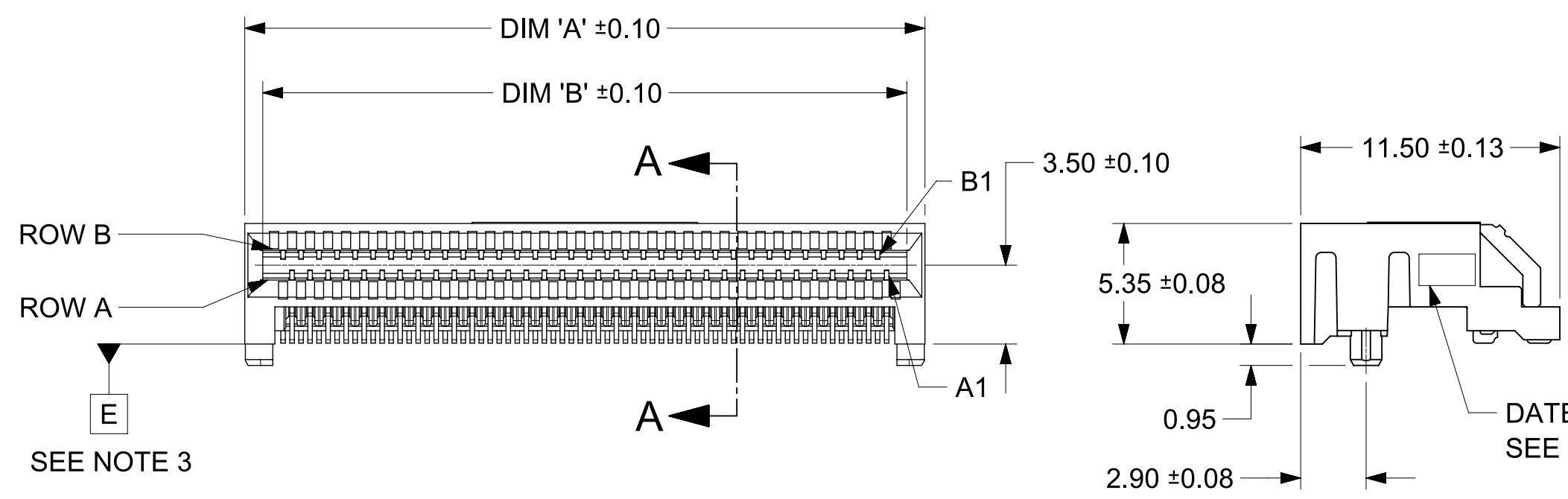
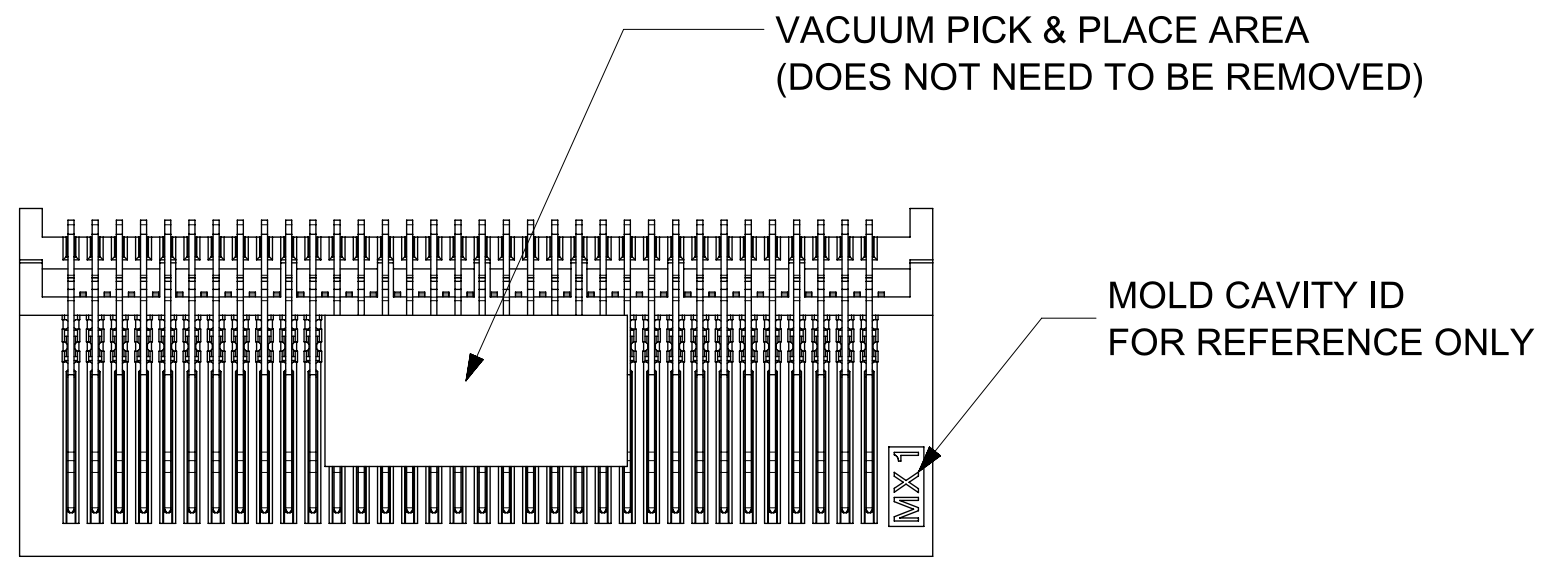
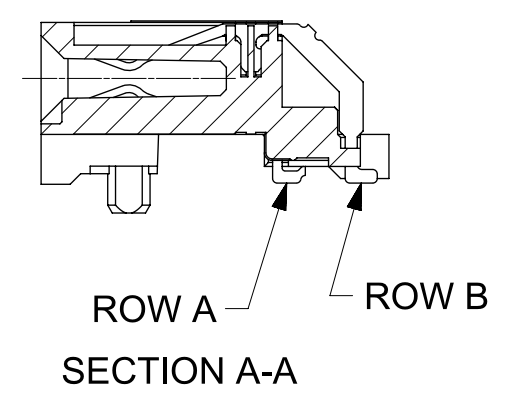


CIRCUIT SIZE	ITEM NUMBER	PLATING OPTION	DIM 'A'	DIM 'B'	DIM 'C'
26	75586-0009	OPTION 2	13.40	11.80	12.00
38	75586-0010	OPTION 1	18.20	16.60	16.80
38	75586-0011	OPTION 2	18.20	16.60	16.80
68	75586-0007	OPTION 2	30.20	28.60	28.80

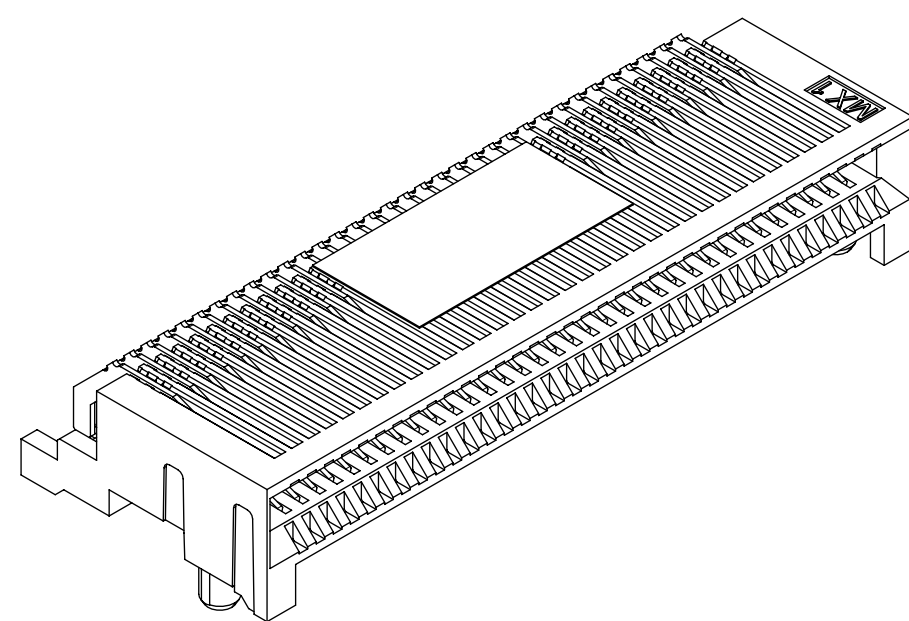


68 CIRCUIT ASSEMBLY SHOWN



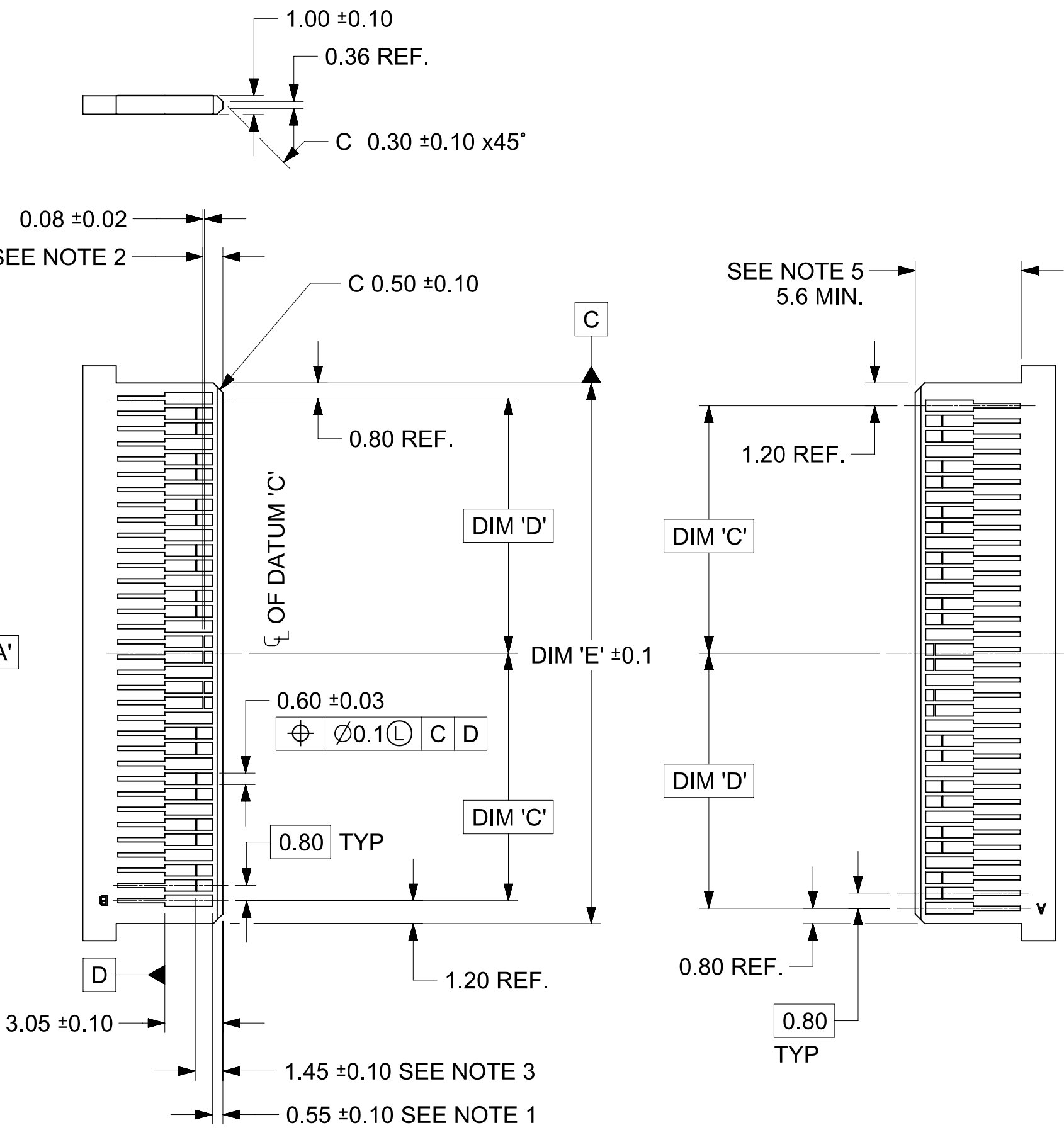
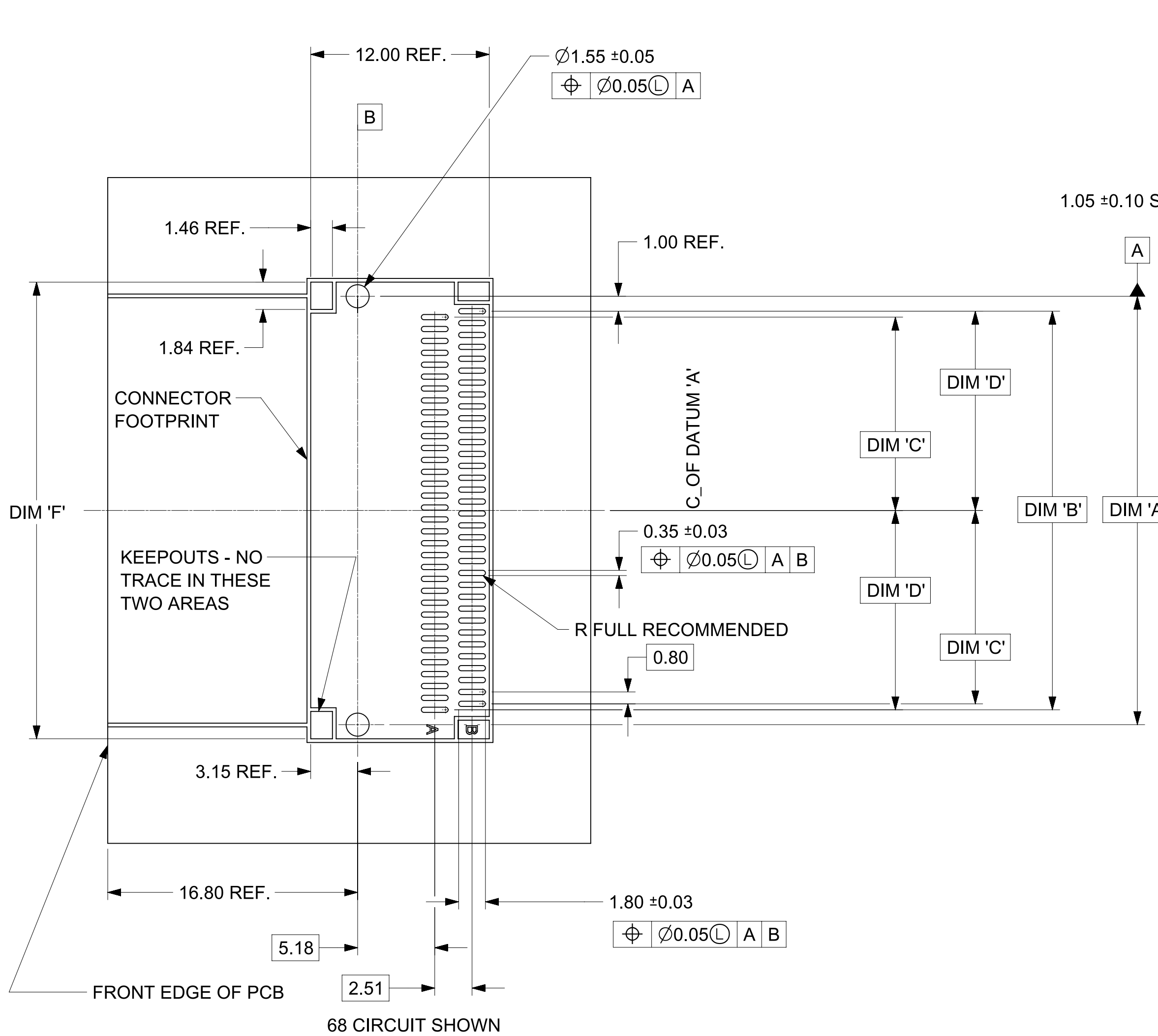
NOTES

- MATERIAL:  
HOUSING - HIGH TEMPERATURE THERMOPLASTIC GLASS FILLED, UL 94V-0, BLACK  
TERMINALS - COPPER ALLOY
- PLATING:  
OPTION 1  
CONTACT AREA - 0.38 µm MIN GOLD OVER 2.54 µm MIN NICKEL  
SOLDER FOOT AREA - 2.54 - 5.09 µm TIN OVER 1.27 µm MIN NICKEL.  
OPTION 2  
CONTACT AREA - 0.76 µm MIN GOLD OVER 2.54 µm NICKEL  
SOLDER AREA - 2.54 - 5.09 µm TIN OVER 1.27 µm MIN NICKEL
- TERMINAL SOLDER FEET TO BE COPLANAR WITHIN 0.10/.004 MEASURED FROM FRONT HOUSING STAND OFF (DATUM E)
- DATE CODE: 4 DIGIT (3 DIGIT DATE, 1 DIGIT YEAR)
- CIRCUIT IDENTIFIER: SEE APPROPRIATE INDUSTRY SPECIFICATION FOR LOCATION OF PIN 1
- TO BE USED WITH EXTERNAL CABLES (74546 & 74547 SERIES) AND GUIDE FRAMES (74540 & 74548 SERIES)
- TESTER/ANALYZER CABLES AVAILABLE (74557 & 74558 SERIES)
- PACKAGED PER PACKAGING SPECIFICATION: PK-75586-002
- CONFORMS TO PRODUCT SPECIFICATION: PS-75586-001
- THIS PART CONFORMS TO CLASS C REQUIREMENTS OF COSMETIC SPECIFICATION PS-45499-002.



iPASS™ IS A TRADEMARK OF MOLEX

THIS DRAWING CONTAINS INFORMATION THAT IS PROPRIETARY TO MOLEX ELECTRONIC TECHNOLOGIES, LLC AND SHOULD NOT BE USED WITHOUT WRITTEN PERMISSION													
DIMENSION UNITS <b>MM</b>		SCALE <b>4:1</b>		CURRENT REV DESC: SEE REVISION HISTORY									
GENERAL TOLERANCES (UNLESS SPECIFIED)				<p>I-PASS R/A CONNECTOR EXTERNAL ASSEMBLY .8 MM PITCH I/O</p> <p>PRODUCT CUSTOMER DRAWING</p>									
4 PLACES ±		±								STATUS: Production		2024-11-12	
3 PLACES ±		±								DRWN: sachin uday gunagi		2026-03-18	
2 PLACES ± 0.130		±								CHK'D: Ganesh Rao B		2026-03-20	
1 PLACE ± 0.25		±								APPR: Gurunandan GA			
0 PLACES ±		±		INITIAL REVISION:									
ANGULAR TOL ± 0.5°				DRWN: DRAWN BY		0099/99/99							
DRAFT WHERE APPLICABLE MUST REMAIN WITHIN DIMENSIONS		THIRD ANGLE PROJECTION		DRAWING		SERIES		DOCUMENT NUMBER					
				C-SIZE		75586		SD-75586-001					
				MATERIAL NUMBER		CUSTOMER		DOC TYPE   DOC PART   REVISION					
				SEE CHART		GENERAL MARKET		PSD 001 G5					
				SHEET NUMBER				1 OF 4					



- NOTES:
- PAD CONFIGURATION FOR FIRST MATE.
  - PAD CONFIGURATION FOR SECOND MATE.
  - PAD CONFIGURATION FOR THIRD MATE (HIGH SPEED SIGNALS).
  - FOR PIN ASSIGNMENTS AND MATING SEQUENCE (1ST, 2ND, 3RD), SEE APPLICABLE SPECIFICATION.
  - MINIMUM STEP REQUIRED IF PCB MADE WIDER THAN CARD TOUNGE.
  - SEE 74540 OR 74548 SERIES FOR GUIDE FRAME FOOT PRINT AND KEEP OUT AREA.

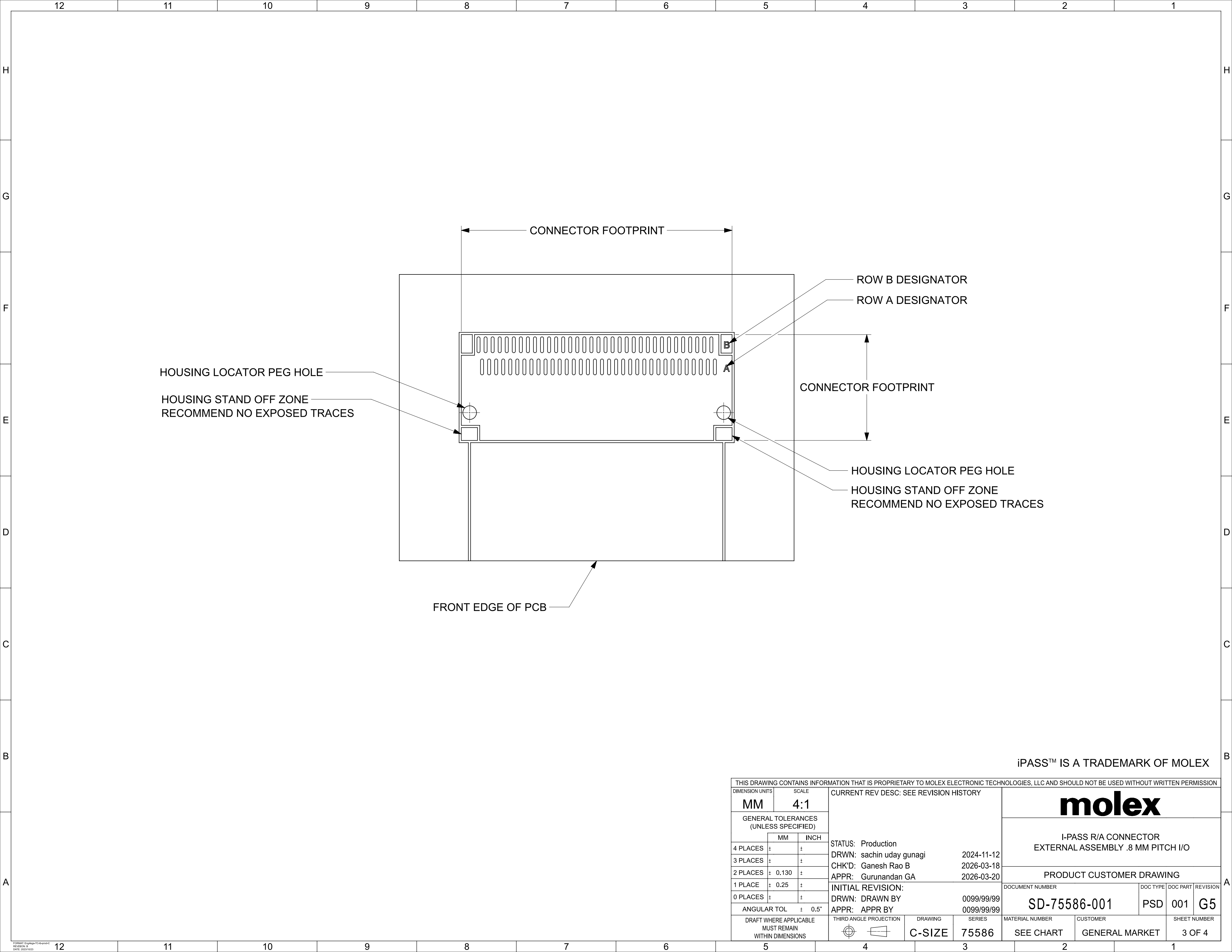
CIRCUIT SIZE	TERM/SIDE 'N'	DIMENSIONS					
		DIM 'A'	DIM 'B'	DIM 'C'	DIM 'D'	DIM 'E'	DIM 'F'
36	18	16.00	14.00	6.60	7.00	15.60	17.90
38	19	16.80	14.80	7.00	7.40	16.40	18.70
68	34	28.80	26.80	13.00	13.40	28.40	30.70

iPASS™ IS A TRADEMARK OF MOLEX

THIS DRAWING CONTAINS INFORMATION THAT IS PROPRIETARY TO MOLEX ELECTRONIC TECHNOLOGIES, LLC AND SHOULD NOT BE USED WITHOUT WRITTEN PERMISSION

DIMENSION UNITS: <b>MM</b>	SCALE: <b>4:1</b>	CURRENT REV DESC: SEE REVISION HISTORY	
GENERAL TOLERANCES (UNLESS SPECIFIED)		STATUS: Production	
4 PLACES ±	±	DRWN: sachin uday gunagi	2024-11-12
3 PLACES ±	±	CHK'D: Ganesh Rao B	2026-03-18
2 PLACES ±	0.130 ±	APPR: Gurunandan GA	2026-03-20
1 PLACE ±	0.25 ±	INITIAL REVISION:	
0 PLACES ±	±	DRWN: DRAWN BY	0099/99/99
ANGULAR TOL ±	0.5°	APPR: APPR BY	0099/99/99
DRAFT WHERE APPLICABLE MUST REMAIN WITHIN DIMENSIONS	THIRD ANGLE PROJECTION	DRAWING: <b>C-SIZE</b>	SERIES: <b>75586</b>

PRODUCT CUSTOMER DRAWING			
DOCUMENT NUMBER	DOC TYPE	DOC PART	REVISION
<b>SD-75586-001</b>	PSD	001	<b>G5</b>
MATERIAL NUMBER	CUSTOMER	SHEET NUMBER	
SEE CHART	GENERAL MARKET	2 OF 4	



iPASS™ IS A TRADEMARK OF MOLEX

THIS DRAWING CONTAINS INFORMATION THAT IS PROPRIETARY TO MOLEX ELECTRONIC TECHNOLOGIES, LLC AND SHOULD NOT BE USED WITHOUT WRITTEN PERMISSION									
DIMENSION UNITS		SCALE		CURRENT REV DESC: SEE REVISION HISTORY					
MM		4:1		<b>molex</b> I-PASS R/A CONNECTOR EXTERNAL ASSEMBLY .8 MM PITCH I/O PRODUCT CUSTOMER DRAWING					
GENERAL TOLERANCES (UNLESS SPECIFIED)									
	MM	INCH							
4 PLACES	±		±						
3 PLACES	±		±						
2 PLACES	± 0.130		±						
1 PLACE	± 0.25		±						
0 PLACES	±		±						
ANGULAR TOL ± 0.5°				STATUS: Production		DRWN: sachin uday gunagi		2024-11-12	
DRAFT WHERE APPLICABLE MUST REMAIN WITHIN DIMENSIONS				THIRD ANGLE PROJECTION		DRWN: DRAWN BY		0099/99/99	
						APPR: APPR BY		0099/99/99	
DRAWING		SERIES		MATERIAL NUMBER		CUSTOMER		SHEET NUMBER	
C-SIZE		75586		SEE CHART		GENERAL MARKET		3 OF 4	

INITIAL REVISION:			
DRWN:	DRAWN BY		0099/99/99
CHK'D:	Ganesh Rao B		2026-03-18
APPR:	Gurunandan GA		2026-03-20

DOCUMENT NUMBER	DOC TYPE	DOC PART	REVISION
SD-75586-001	PSD	001	G5

DATE	VERSION	DESCRIPTION
2020-10-12	G3	UPDATE TO LATEST DRAWING FRAME
2024-05-08	G4	REMOVED OBSOLETE PART NUMBERS 75586-0004 & 75586-0006
2026-02-16	G5	UPDATED THE DIMENSIONS REMOVED OBSOLETE PART NUMBERS: 75586-0001 75586-0002 75586-0003 75586-0008

THIS DRAWING CONTAINS INFORMATION THAT IS PROPRIETARY TO MOLEX ELECTRONIC TECHNOLOGIES, LLC AND SHOULD NOT BE USED WITHOUT WRITTEN PERMISSION													
DIMENSION UNITS		SCALE		CURRENT REV DESC: SEE REVISION HISTORY				<b>molex</b>					
MM		1:1											
GENERAL TOLERANCES (UNLESS SPECIFIED)				STATUS: Production DRWN: sachin uday gunagi 2024-11-12 CHK'D: Ganesh Rao B 2026-03-18 APPR: Gurunandan GA 2026-03-20 INITIAL REVISION: DRWN: RFC_PLMIMP 2004-09-16 APPR: Gurunandan GA 2026-03-20				I-PASS R/A CONNECTOR EXTERNAL ASSEMBLY .8 MM PITCH I/O					
								PRODUCT CUSTOMER DRAWING					
4 PLACES		±						DOCUMENT NUMBER		DOC TYPE		DOC PART REVISION	
3 PLACES		±						SD-75586-001		PSD		001 G5	
2 PLACES		± 0.130						MATERIAL NUMBER		CUSTOMER		SHEET NUMBER	
1 PLACE		± 0.25						SEE CHART		GENERAL MARKET		4 OF 4	
0 PLACES		±		DRAFT WHERE APPLICABLE MUST REMAIN WITHIN DIMENSIONS		THIRD ANGLE PROJECTION		DRAWING SERIES					
ANGULAR TOL		± 0.5°				C-SIZE		75586					