

Jun.1.2026 Copyright 2026 HIROSE ELECTRIC CO., LTD. All Rights Reserved.  
 In case of consideration for using Automotive equipment / device which demand high reliability, kindly contact our sales window correspondents.

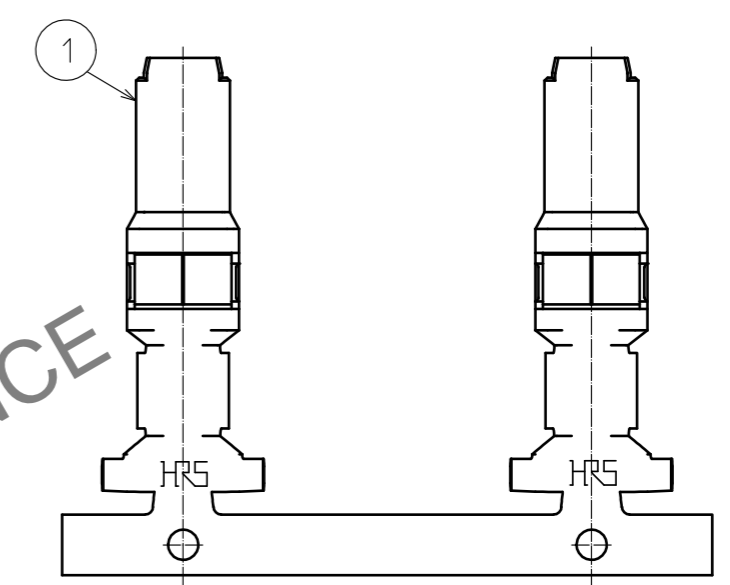
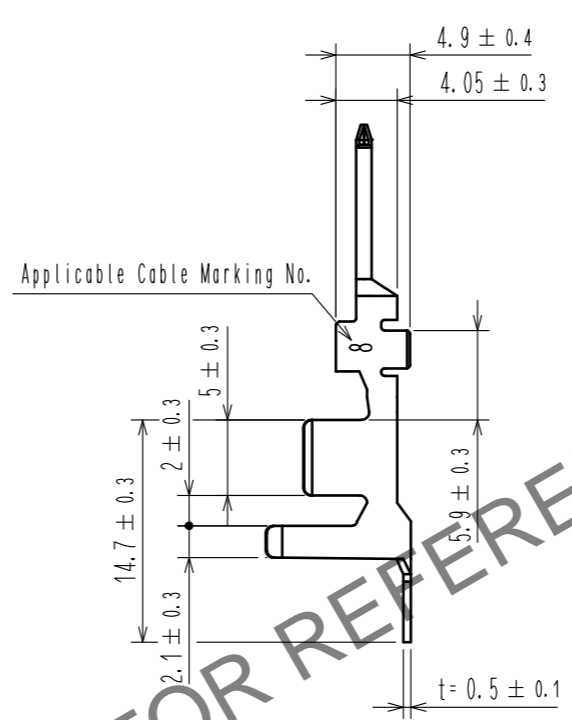
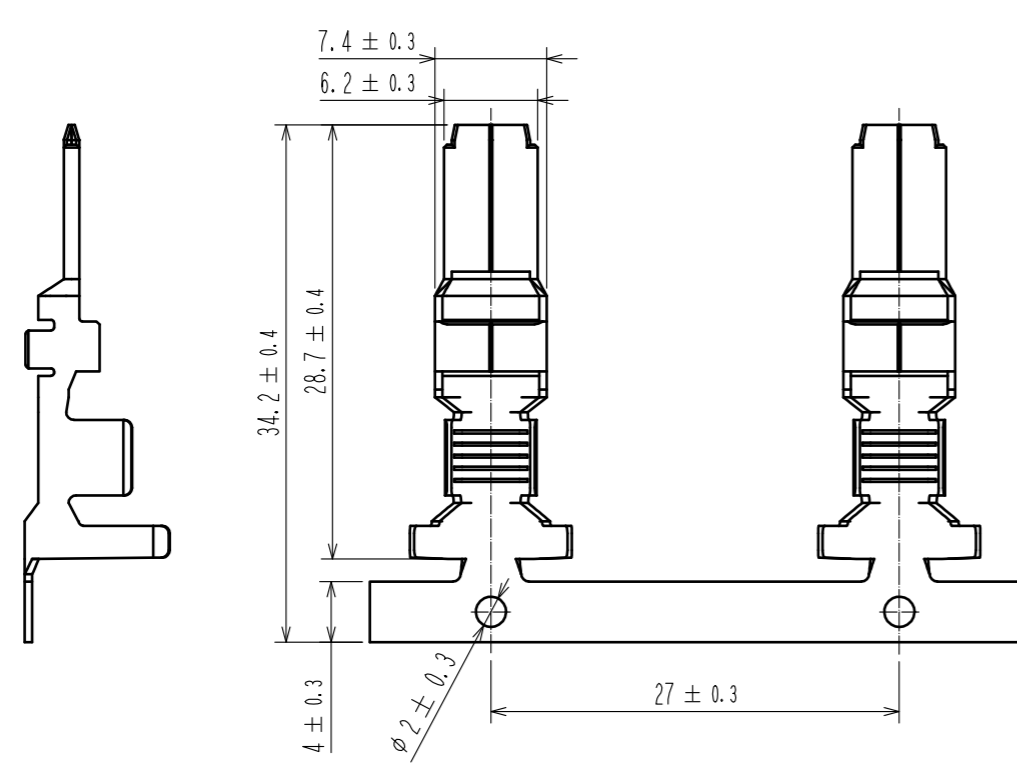
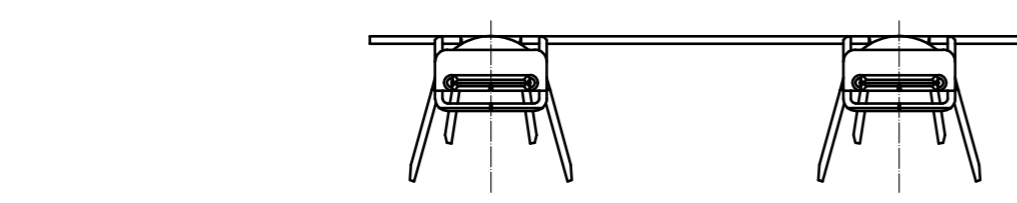
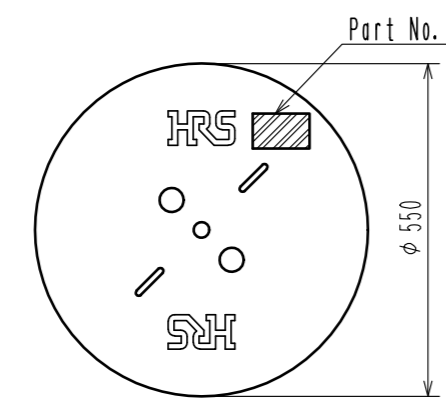


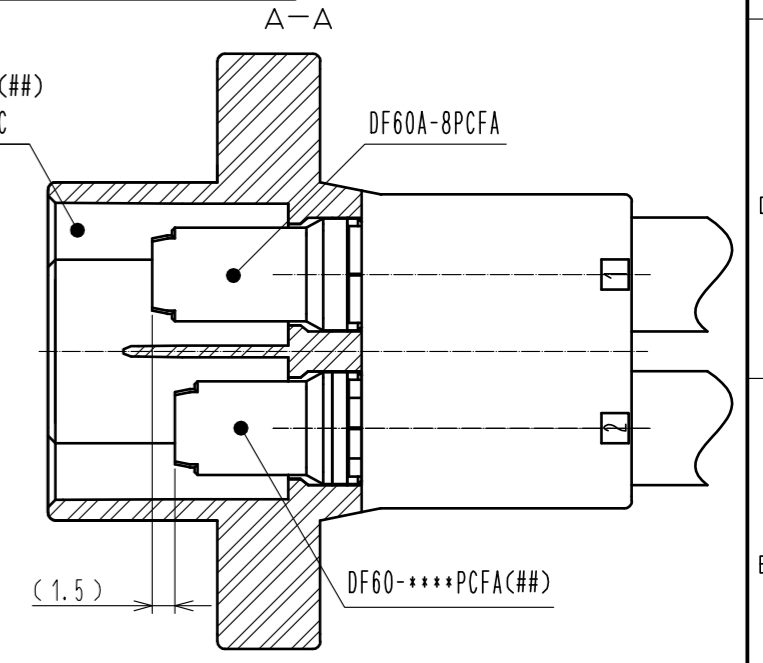
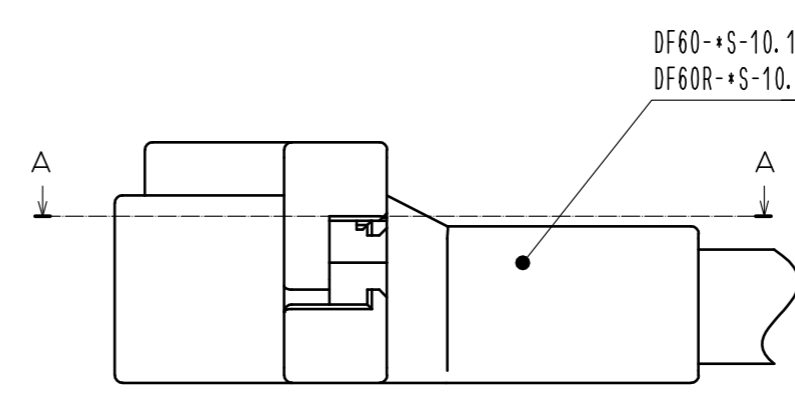
Figure with crimp contact in crimp socket

2 Style and Dimension of Reel



Detail of part No. Label

<b>HRS</b>		検査
品名コード	CL680-3057-0-00	Section Lot No. Specification Quantity Part No. Code No.
品名	DF60A-8PCFA	
数量	700	
仕様		
LOT No.		
機番目		
		Inspection



NOTE 1. 1Reel: 700 Contacts.

2 Style of Reel and Box Shows in Figure.

- 3. Please be sure to check the form of crimping with a cable while adjusting applicator.
- 4. This product is the sequential connection contact for DF60-8PCFA(##).

NO.	MATERIAL	FINISH . REMARKS	NO.	MATERIAL	FINISH . REMARKS
1	COPPER ALLOY	- Contact Area Surface : Au Plating 0.2μm min Under Plating : Ni Plating 1μm min - Others : Ni Plating 0.2μm min			

UNITS	SCALE	COUNT	DESCRIPTION OF REVISIONS	DESIGNED	CHECKED	DATE
mm	2 : 1	△				
<b>HRS</b> HIROSE ELECTRIC CO., LTD.			APPROVED : HS. OKAWA	16.06.21	DRAWING NO. EDC-367007-00-00 PART NO. DF60A-8PCFA CODE NO. CL680-3057-0-00	
			CHECED : TS. FUKUSHIMA	16.06.21		
			DESIGNED : TS. KUMAZAWA	16.06.21		
			DRAWN : TS. KUMAZAWA	16.06.21		