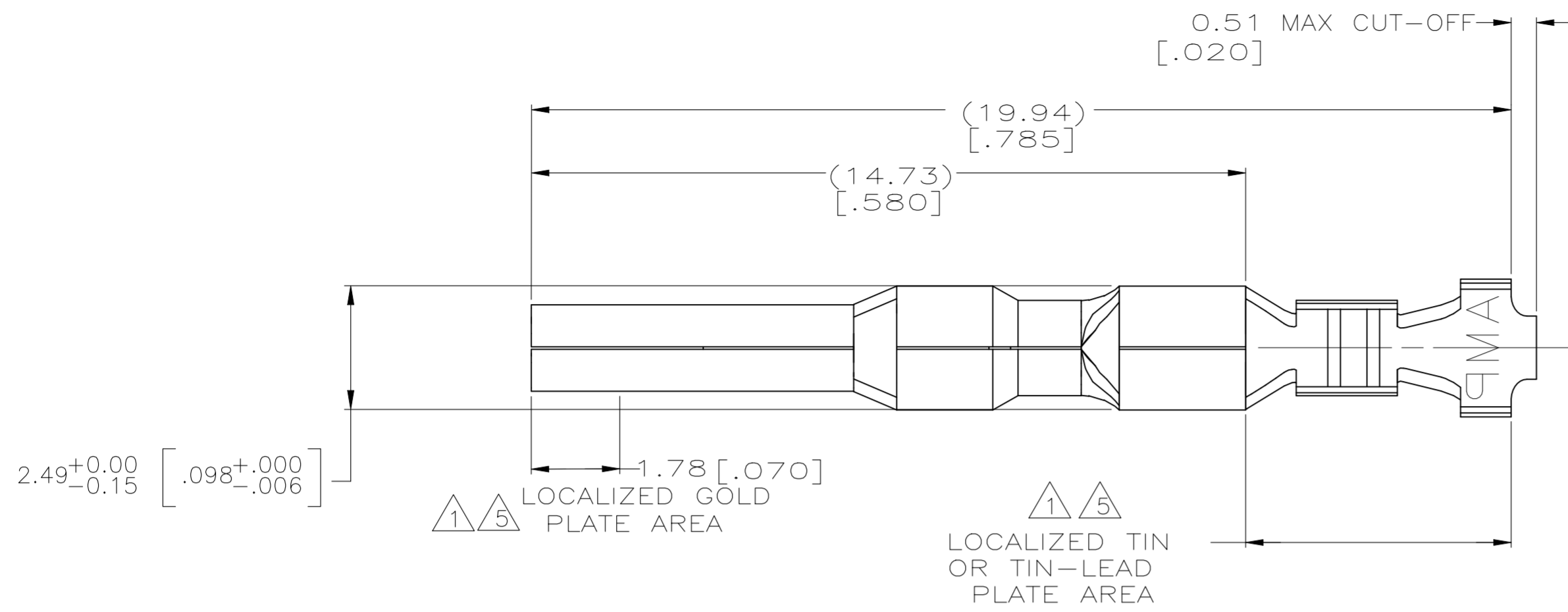
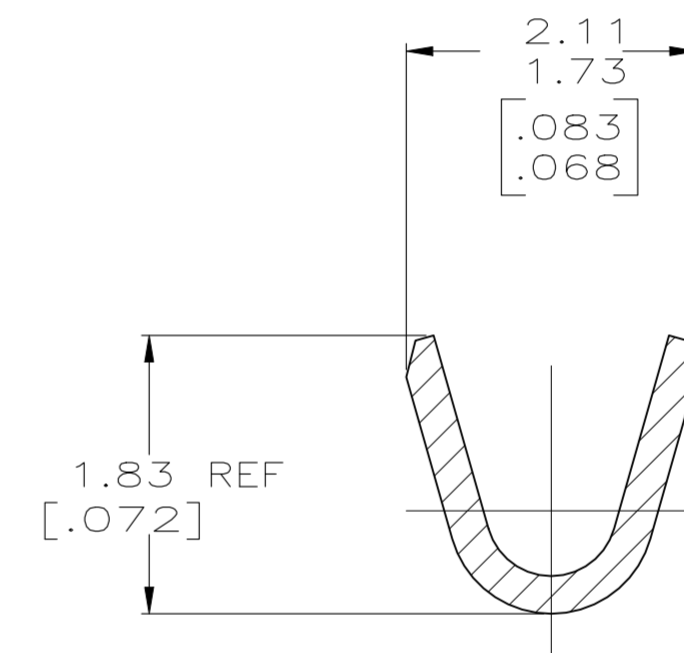
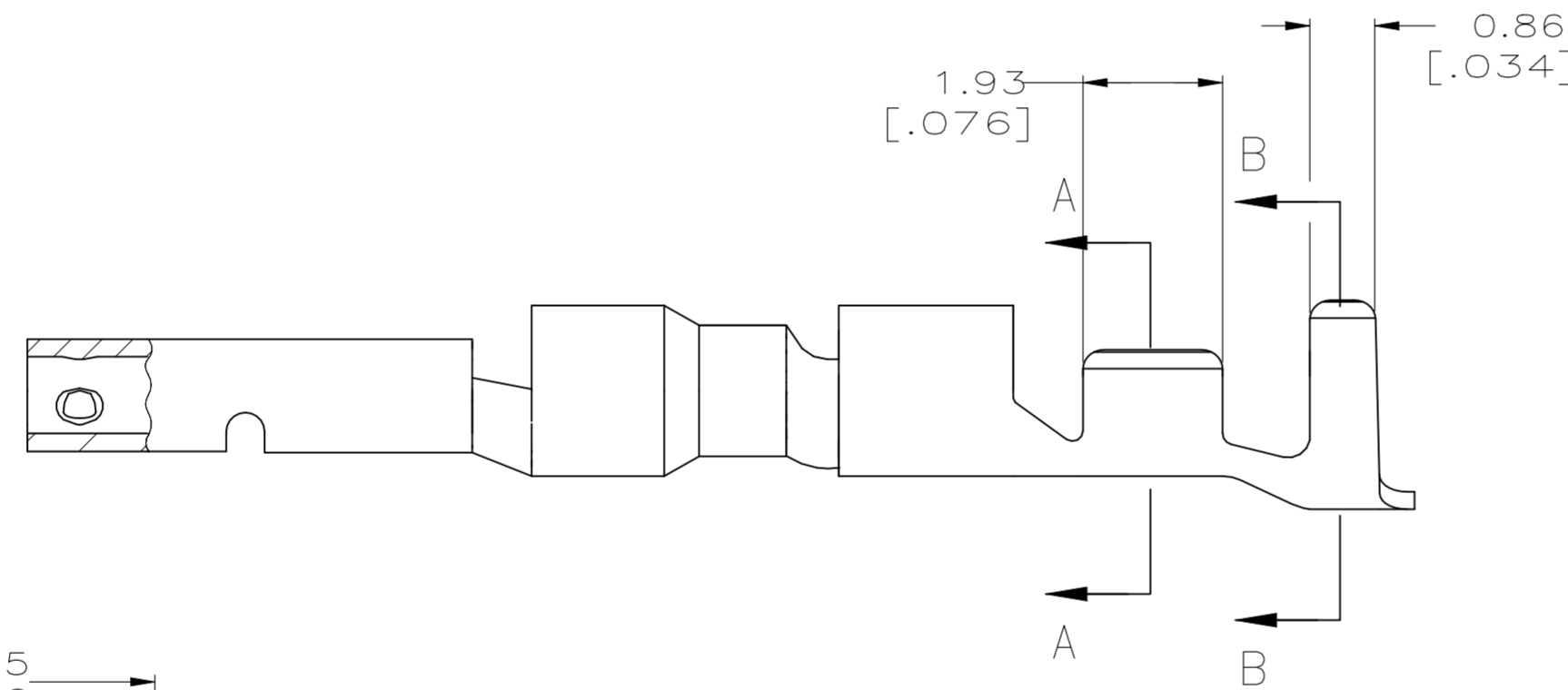


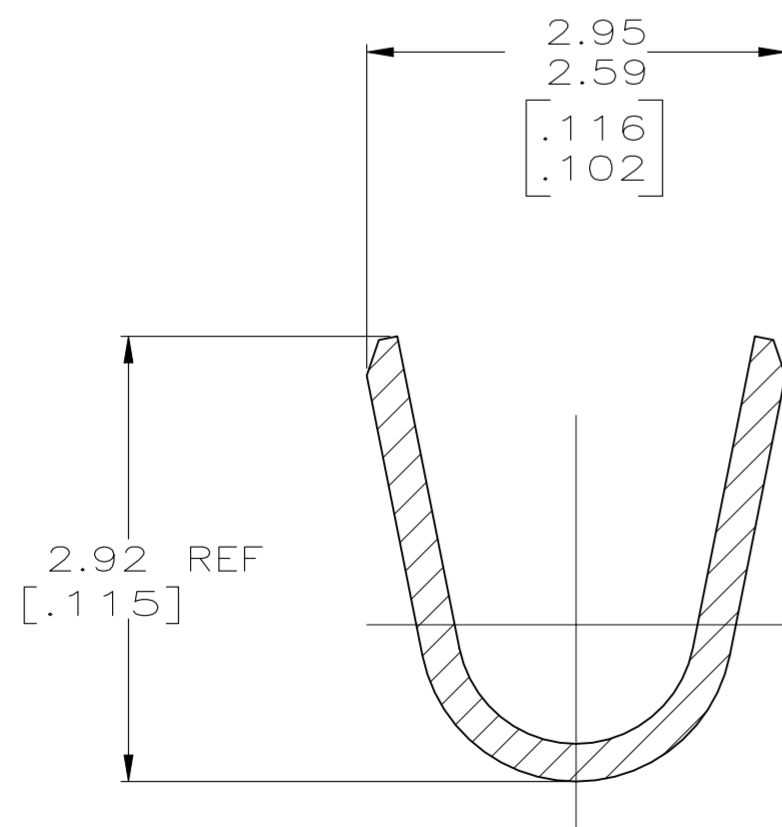
REVISIONS					
P	LTR	DESCRIPTION	DATE	DWN	APVD
E2		REVISED PER ECR-23-188565	04NOV2024	BN	JP



- 1. 0.00076 [.000030] MIN GOLD IN LOCALIZED GOLD PLATE AREA AND 0.00254 [.000100] MIN BRIGHT TIN-LEAD IN LOCALIZED TIN-LEAD PLATE AREA OVER 0.0013 [.000050] MIN NICKEL.
- 2. WIRE RANGE: 0.12 - 0.4MM² (26-22 AWG).
- 3. INSULATION RANGE: 1.19-1.75 [.047-.069] DIA.
- 4. DIMENSIONS IN BRACKETS ARE IN INCHES.
- 5. 0.00076 [.000030] MIN GOLD IN LOCALIZED GOLD PLATE AREA AND 0.00254 [.000100] MIN MATTE TIN IN LOCALIZED TIN PLATE AREA OVER 0.0013 [.000050] MIN NICKEL.
- 6. ROHS COMPLIANT.



SECTION A-A
SCALE 20:1



SECTION B-B
SCALE 20:1

SUPERSEDED WITH 1-794227-0	6	5	0.25 [.010] BRASS	1-794227-0
		1	0.25 [.010] BRASS	794227-3
			PRE-TIN	794227-1
		FINISH	MATERIAL	PART NO



THIS DRAWING IS A CONTROLLED DOCUMENT.		DWN K. WHITAKER 04MAR2005	TE Connectivity	
DIMENSIONS: mm [INCHES]		CHK C. JONES 04MAR2005		
TOLERANCES UNLESS OTHERWISE SPECIFIED:		APVD C. JONES 04MAR2005	NAME SOCKET, LOOSE PIECE, MINI UNIVERSAL MATE-N-LOK(TM) 2	
0 PLC ± - 1 PLC ± - 2 PLC ± - 3 PLC ± 0.30 [.012] 4 PLC ± - ANGLES ± -		PRODUCT SPEC -	SIZE A2	
MATERIAL SEE TABLE		APPLICATION SPEC -	CAGE CODE 00779	DRAWING NO C=794227
FINISH SEE TABLE		WEIGHT -	SCALE 10:1	SHEET 1 OF 1
CUSTOMER DRAWING			REV E2	RESTRICTED TO -