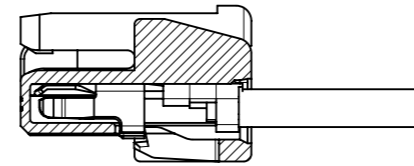
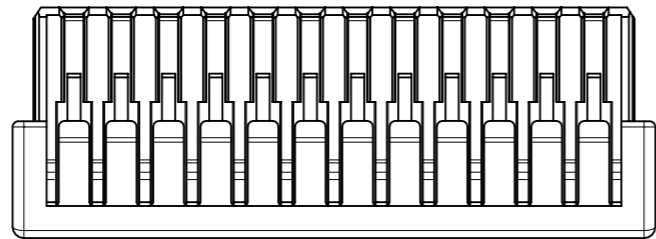


奇数キャビティ : キャビティ番号及び金型番号
 ODD CAV:CAVITY & MOLD NUMBER
 偶数キャビティ : トレードマーク
 EVEN CAV:TRADE MARK

奇数キャビティ : トレードマーク
 ODD CAV:TRADE MARK
 偶数キャビティ : キャビティ番号及び金型番号
 EVEN CAV:CAVITY & MOLD NUMBER



ターミナル装着図
 TERMINAL ASSEMBLY DRAWING

注記 :

NOTES :

- △1 材質 : TABLE 1参照
 MATERIAL : SEE TABLE 1.
- △2 偶数極に適用。
 APPLY FOR EVEN CIRCUIT.
- △3 製品仕様書、コネクタ取扱説明書、適合嵌合相手、適合ターミナルはSHEET 3をご参照ください。
 PLEASE REFER TO SHEET 3 FOR PRODUCT SPECIFICATION, APPLICATION SPECIFICATION,
 MATE WITH AND APPLICABLE TERMINAL.
- △4 発注番号 : SHEET 3 参照
 ORDER NUMBER : PLEASE REFER TO SHEET 3

505565**0*

極数
 CIRCUIT SIZE

番号 NO.	ハウジングカラー HOUSING COLOR
0	ナチュラル (白) NATURAL (WHITE)
1	黒 BLACK
2	赤 RED
3	黄 YELLOW
4	青 BLUE
6	緑 GREEN
8	橙 ORANGE

△1 TABLE 1

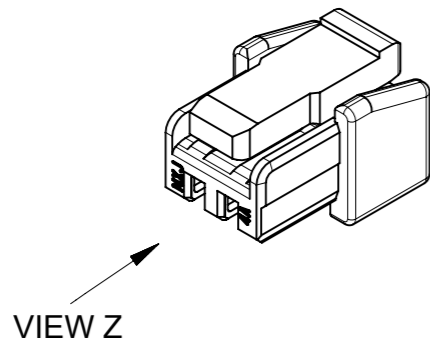
18.75	22	16
17.50	20.75	15
16.25	19.5	14
15	18.25	13
13.75	17	12
12.5	15.75	11
11.25	14.5	10
10	13.25	9
8.75	12	8
7.5	10.75	7
6.25	9.5	6
5	8.25	5
3.75	7	4
2.5	5.75	3
1.25	4.5	2
B	A	極数 CIRCUIT SIZE

THIS DRAWING CONTAINS INFORMATION THAT IS PROPRIETARY TO MOLEX ELECTRONIC TECHNOLOGIES, LLC AND SHOULD NOT BE USED WITHOUT WRITTEN PERMISSION

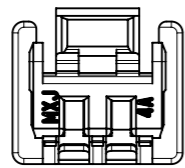
DIMENSION UNITS mm	SCALE NTS	CURRENT REV DESC: REMOVED OBSOLETE PART NUMBERS AS PER PCN#515932.	molex		
GENERAL TOLERANCES (UNLESS SPECIFIED)		EC NO: 812554			
ANGULAR TOL ± 3.0 °	4 PLACES ± 0.2	DRWN: RAVINR1	PRODUCT CUSTOMER DRAWING		
3 PLACES ± 0.2	2 PLACES ± 0.2	CHK'D: GGA	DOCUMENT NUMBER		
1 PLACE ± 0.2	0 PLACES ± 0.2	APPR: GGA	DOC TYPE DOC PART REVISION		
INITIAL REVISION:		DRWN: RWATANABE01	5055650002-SD		
DRAFT WHERE APPLICABLE MUST REMAIN WITHIN DIMENSIONS		APPR: TKANEKO	PSD 000 H1		
THIRD ANGLE PROJECTION		DRAWING	MATERIAL NUMBER		
A3-SIZE		SERIES	CUSTOMER		
505565		SEE TABLE			SHEET NUMBER
		GENERAL			1 OF 3

部品 PART	材質 MATERIAL
ハウジング HOUSING	ポリエステル(PBT), UL94 V-0, 色 : SHEET 3参照 POLYESTER(PBT), UL94 V-0, COLOR : SEE SHEET 3.
DOCUMENT STATUS	P1
RELEASE DATE	2025/02/25 06:03:52

製品形状
PRODUCT SHAPE

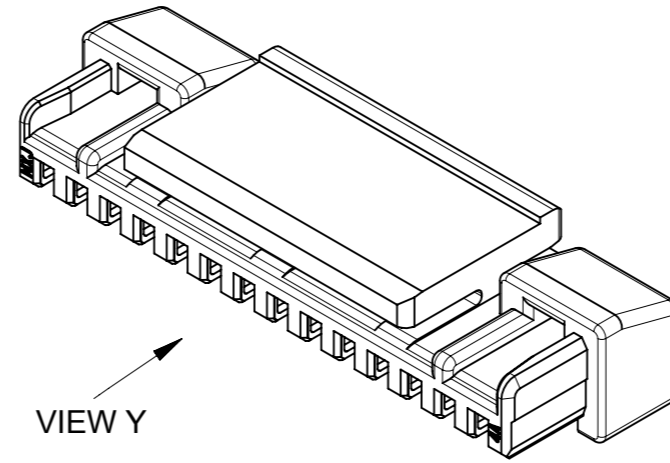


VIEW Z

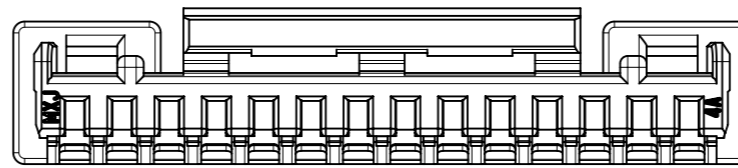


VIEW Z

2-13極
2-13 CIRCUIT





VIEW Y



VIEW Y

14-16極
14-16 CIRCUIT

THIS DRAWING CONTAINS INFORMATION THAT IS PROPRIETARY TO MOLEX ELECTRONIC TECHNOLOGIES, LLC AND SHOULD NOT BE USED WITHOUT WRITTEN PERMISSION									
DIMENSION UNITS	SCALE	CURRENT REV DESC: REMOVED OBSOLETE PART NUMBERS AS PER PCN#515932.							
mm	NTS	 MICRO-LOCK PLUS 1.25 W/B SINGLE ROW RECEPTACLE HOUSING							
GENERAL TOLERANCES (UNLESS SPECIFIED)									
ANGULAR TOL	± 3.0 °	EC NO: 812554 DRWN: RAVINR1 2025/01/27 CHK'D: GGA 2025/02/25 APPR: GGA 2025/02/25							
4 PLACES	± 0.2								
3 PLACES	± 0.2	INITIAL REVISION: DRWN: RWATANABE01 2017/09/14 APPR: TKANEKO 2017/09/26							
2 PLACES	± 0.2								
1 PLACE	± 0.2	DOCUMENT NUMBER: 5055650002-SD DOC TYPE: PSD DOC PART: 000 REVISION: H1							
0 PLACES	± 0.2								
DRAFT WHERE APPLICABLE MUST REMAIN WITHIN DIMENSIONS	THIRD ANGLE PROJECTION	DRAWING	SERIES	MATERIAL NUMBER	CUSTOMER	SHEET NUMBER			
		A3-SIZE	505565	SEE TABLE	GENERAL	2 OF 3			


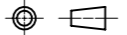
△ 3 適合製品及び各種仕様書 APPLICABLE PRODUCTS AND VARIOUS SPECIFICATIONS

梱包仕様書 PACKAGING SPECIFICATION	PART NUMBER		SPECIFICATION NUMBER		
	505565**0*		5055659200 PS 200		
適合ターミナル APPLICABLE TERMINAL	PART NUMBER		PLATING TYPE		WIRE SIZE(AWG)
	5054311000		TIN		
	5054311*00 1,2,3 ↑		GOLD		
適合嵌合相手 MATE WITH	WIRE TO BOARD				WIRE TO WIRE
	TIN PLATING		GOLD PLATING		TIN PLATING
	VERTICAL	RIGHT ANGLE	VERTICAL	RIGHT ANGLE	---
	2-16CKT				2-9CKT
シリーズ番号 SERIES NUMBER	505568**7*	505567**7*	505568**** 3,5,8 ↑	505567**** 3,5,8 ↑	2145252***
製品仕様書 PRODUCT SPECIFICATION	5055650000 PS 000		5055650002 PS 000		5055650003-PS PS 000
コネクタ取扱説明書 APPLICATION SPECIFICATION	5055650000-AS PS 000				

製品嵌合図は各嵌合相手図面を参照のこと
MATING VIEW : REFER TO EACH "MATE WITH" PART DRAWING.

△ 4 505565**0* 発注番号一覧 ORDER NUMBER LIST

ORANGE	GREEN	BLUE	YELLOW	RED	BLACK	NATURAL (WHITE)	HOUSING COLOR
-----	-----	5055651604	-----	5055651602	5055651601	5055651600	16
-----	-----	5055651504	-----	5055651502	5055651501	5055651500	15
-----	-----	5055651404	-----	5055651402	5055651401	5055651400	14
-----	-----	5055651304	-----	5055651302	5055651301	5055651300	13
-----	-----	5055651204	-----	5055651202	5055651201	5055651200	12
-----	-----	5055651104	-----	5055651102	5055651101	5055651100	11
-----	-----	5055651004	-----	5055651002	5055651001	5055651000	10
-----	5055650906	5055650904	-----	5055650902	5055650901	5055650900	9
-----	-----	5055650804	5055650803	5055650802	5055650801	5055650800	8
-----	-----	5055650704	-----	5055650702	5055650701	5055650700	7
-----	-----	5055650604	-----	5055650602	5055650601	5055650600	6
-----	-----	5055650504	-----	5055650502	5055650501	5055650500	5
5055650408	5055650406	5055650404	5055650403	5055650402	5055650401	5055650400	4
-----	-----	5055650304	-----	5055650302	5055650301	5055650300	3
5055650208	5055650206	5055650204	5055650203	5055650202	5055650201	5055650200	2
発注番号 ORDER NUMBER							極数 CIRCUIT SIZE
梱包形態 : ポリ袋 PACKAGING : POLYBAG PACKAGE							

THIS DRAWING CONTAINS INFORMATION THAT IS PROPRIETARY TO MOLEX ELECTRONIC TECHNOLOGIES, LLC AND SHOULD NOT BE USED WITHOUT WRITTEN PERMISSION										
DIMENSION UNITS	SCALE	CURRENT REV DESC: REMOVED OBSOLETE PART NUMBERS AS PER PCN#515932.								
mm	NTS	 MICRO-LOCK PLUS 1.25 W/B SINGLE ROW RECEPTACLE HOUSING PRODUCT CUSTOMER DRAWING								
GENERAL TOLERANCES (UNLESS SPECIFIED)										
ANGULAR TOL	± 3.0 °	EC NO: 812554		2025/01/27		DOCUMENT NUMBER		DOC TYPE	DOC PART	REVISION
4 PLACES	± 0.2	DRWN: RAVINR1		2025/02/25		5055650002-SD		PSD	000	H1
3 PLACES	± 0.2	CHK'D: GGA		2025/02/25		INITIAL REVISION:				
2 PLACES	± 0.2	APPR: GGA		2025/02/25		DRWN: RWATANABE01				
1 PLACE	± 0.2	APPR: TKANEKO		2017/09/14		SERIES				
0 PLACES	± 0.2	APPR: TKANEKO		2017/09/26		MATERIAL NUMBER				
DRAFT WHERE APPLICABLE MUST REMAIN WITHIN DIMENSIONS		THIRD ANGLE PROJECTION		DRAWING	SERIES	MATERIAL NUMBER	CUSTOMER	SHEET NUMBER		
				A3-SIZE	505565	SEE TABLE	GENERAL	3 OF 3		