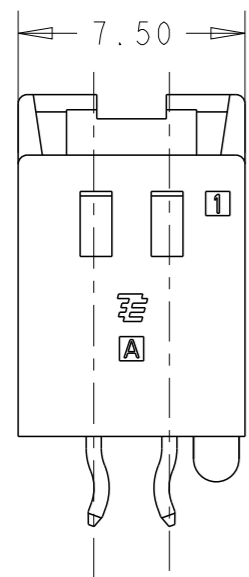
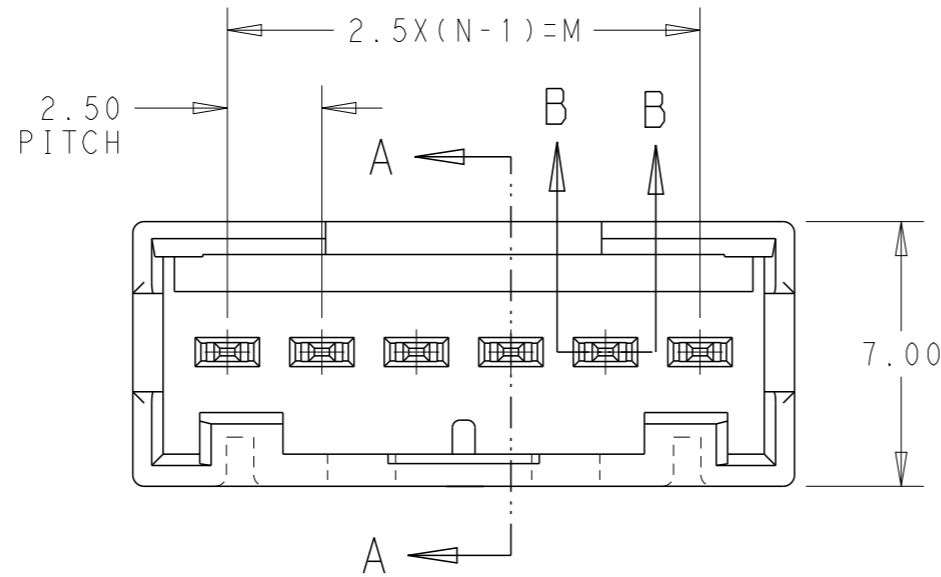
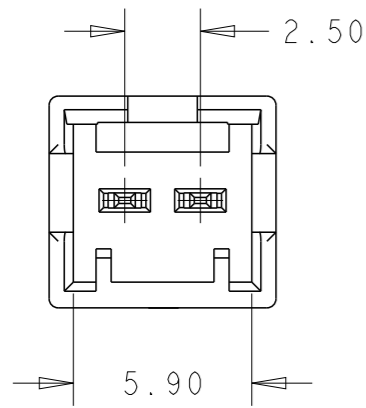


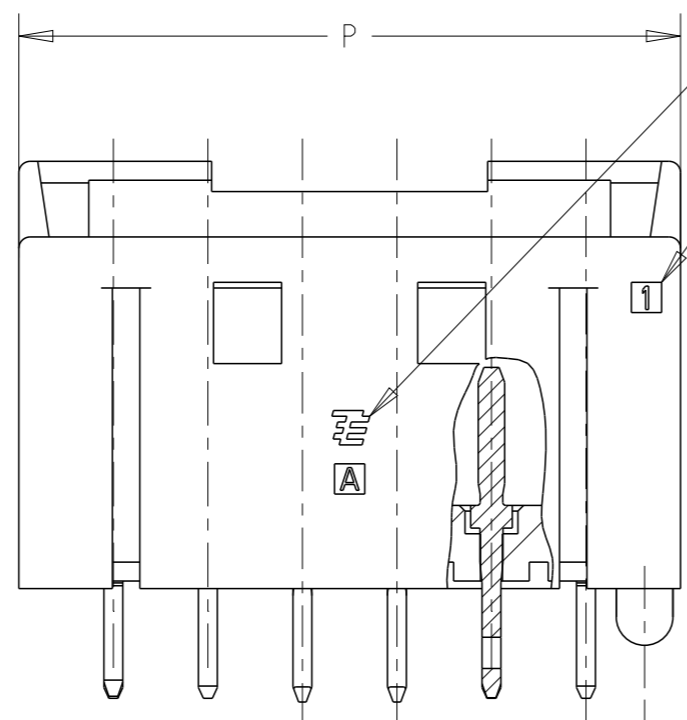
REVISIONS

P	LTR	DESCRIPTION	DATE	DWN	APVD
J		REVISED PER ECR-18-009764	25SEP2018	BW	CX
K		REVISED PER ECR-24-230684	31OCT2025	CKN	XC

- 1 GENERAL TOLERANCE: ±0.3, ±3°
- 2 MATERIAL: 66NYLON GF (UL94V-0)
- 3 MATING CONN. P/N: SEE TABLE
- 4 APPLICABLE PCB HOLE DIA: ØA  
 PUNCHED HOLE: 0.7<sup>+0.1</sup><sub>-0</sub>  
 DRILLED HOLE: 0.9±0.05

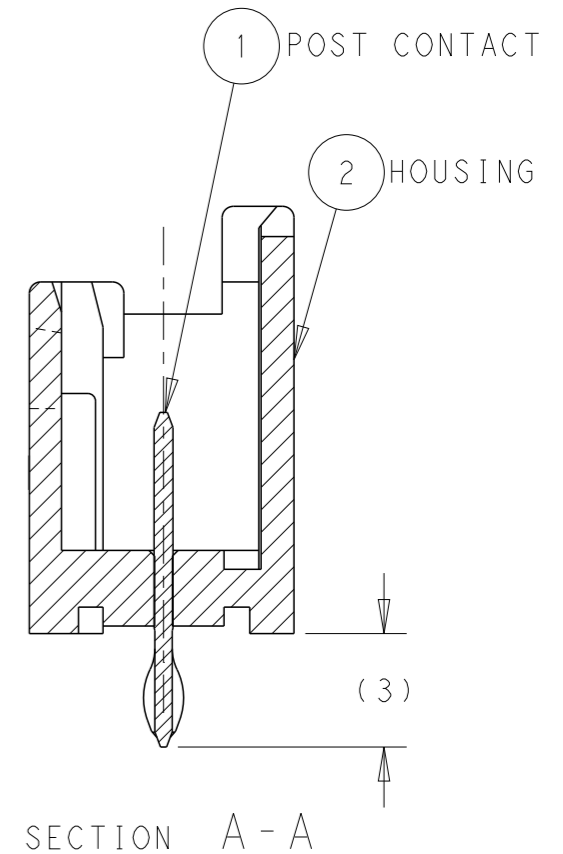
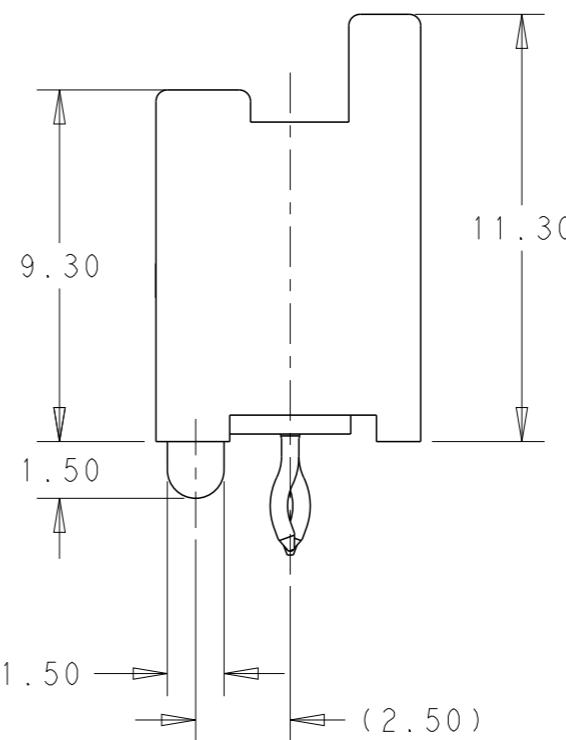


2 POS



6 POS

SECTION B-B



SECTION A-A

FOR PART NO. SEE SHEET 3 OF 4, 4 OF 4

THIS DRAWING IS A CONTROLLED DOCUMENT.

DWN LILY LIU 29JAN08

CHK A. OISHI 29JAN08

APVD S. MANABE 29JAN08

PRODUCT SPEC 108-78307

APPLICATION SPEC 114-5359

WEIGHT -

CUSTOMER DRAWING



NAME GRACE INERTIA CONNECTOR 2.5 HDR ASSY TIN VERSION

SIZE A3 CAGE CODE 00779 DRAWING NO. C-1871843 RESTRICTED TO -

SCALE 5:1 SHEET 1 OF 4 REV K

DIMENSIONS:	TOLERANCES UNLESS OTHERWISE SPECIFIED:
mm	
	0 PLC ±-
	1 PLC ±-
	2 PLC ±-
	3 PLC ±-
	4 PLC ±-
	ANGLES ±-
MATERIAL	FINISH
SEE NOTE	-
-	-

NO.	NAME	MATERIAL
1	POST CONTACT	BRASS, FINISH: TIN, OVER NI
2	HDR HOUSING	66 NYLON GF UL94V-0

4

3

2

1

THIS DRAWING IS UNPUBLISHED.

RELEASED FOR PUBLICATION

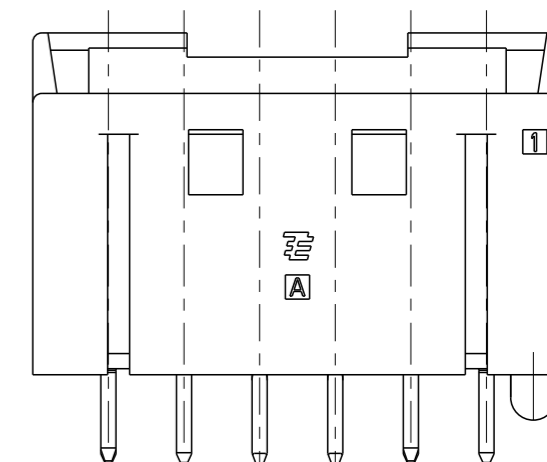
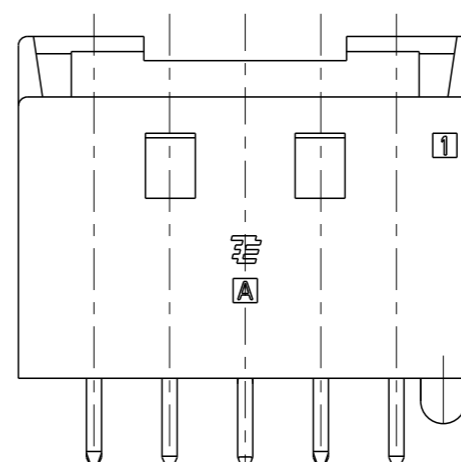
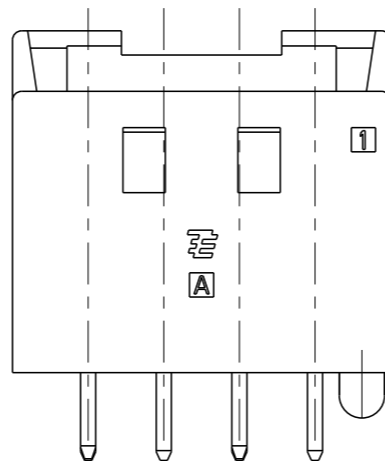
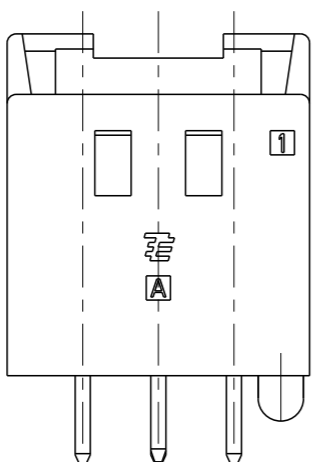
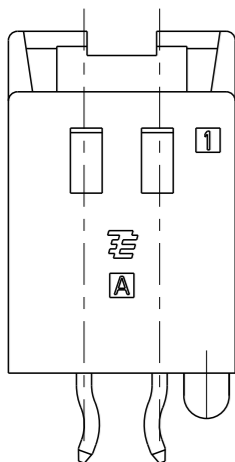
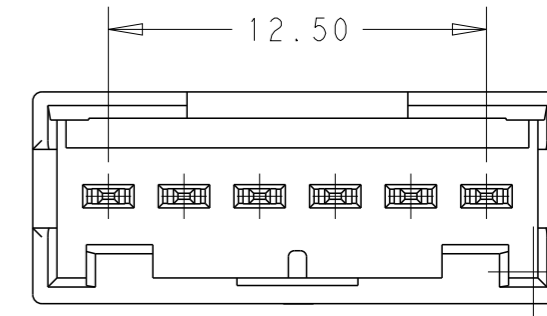
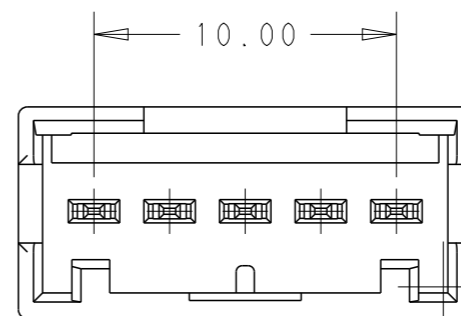
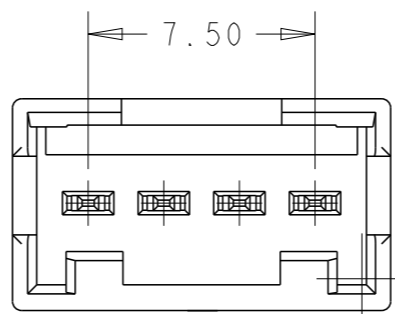
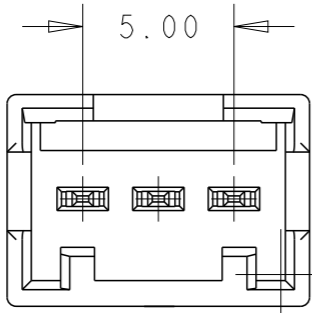
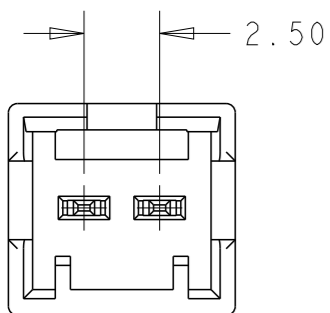
20

© COPYRIGHT 2018 BY - TE CONNECTIVITY

ALL RIGHTS RESERVED.

REVISIONS

P	LTR	DESCRIPTION	DATE	DWN	APVD
-	-	SEE SHEET 1	-	-	-



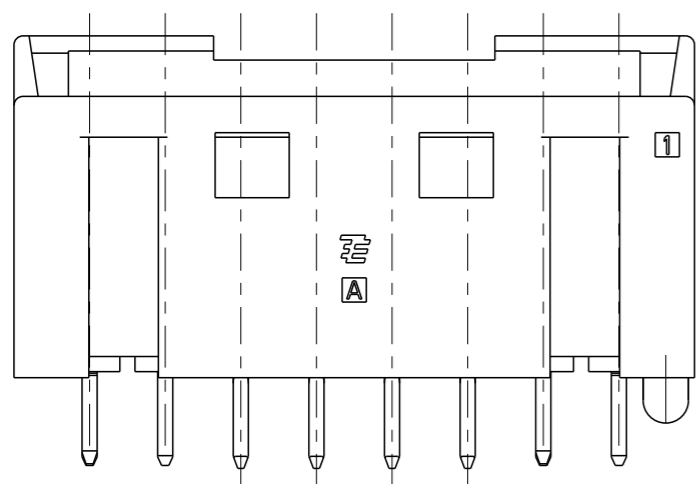
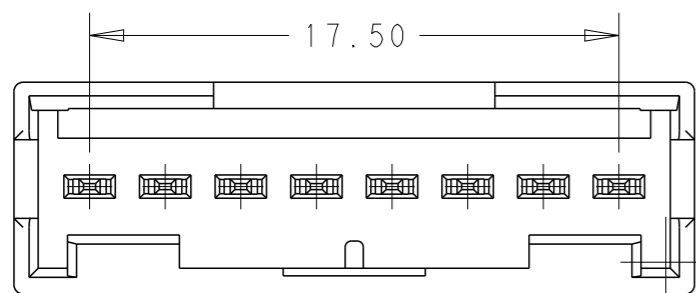
2 POS

3 POS

4 POS

5 POS

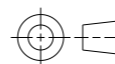
6 POS



8 POS

THIS DRAWING IS A CONTROLLED DOCUMENT.

DIMENSIONS:  
mm



TOLERANCES UNLESS OTHERWISE SPECIFIED:

- 0 PLC ±-
- 1 PLC ±-
- 2 PLC ±-
- 3 PLC ±-
- 4 PLC ±-
- ANGLES ±-
- FINISH -

MATERIAL  
SEE NOTE

DWN LILY LIU 29JAN08

CHK A. OISHI 29JAN08

APVD S. MANABE 29JAN08

PRODUCT SPEC 108-78307

APPLICATION SPEC 114-5359

WEIGHT -

CUSTOMER DRAWING



TE Connectivity

NAME GRACE INERTIA CONNECTOR 2.5 HDR ASSY TIN VERSION

SIZE CAGE CODE DRAWING NO RESTRICTED TO

A300779 C-1871843

SCALE 5:1 SHEET 2 OF 4 REV K

THIS DRAWING IS UNPUBLISHED.

RELEASED FOR PUBLICATION

20

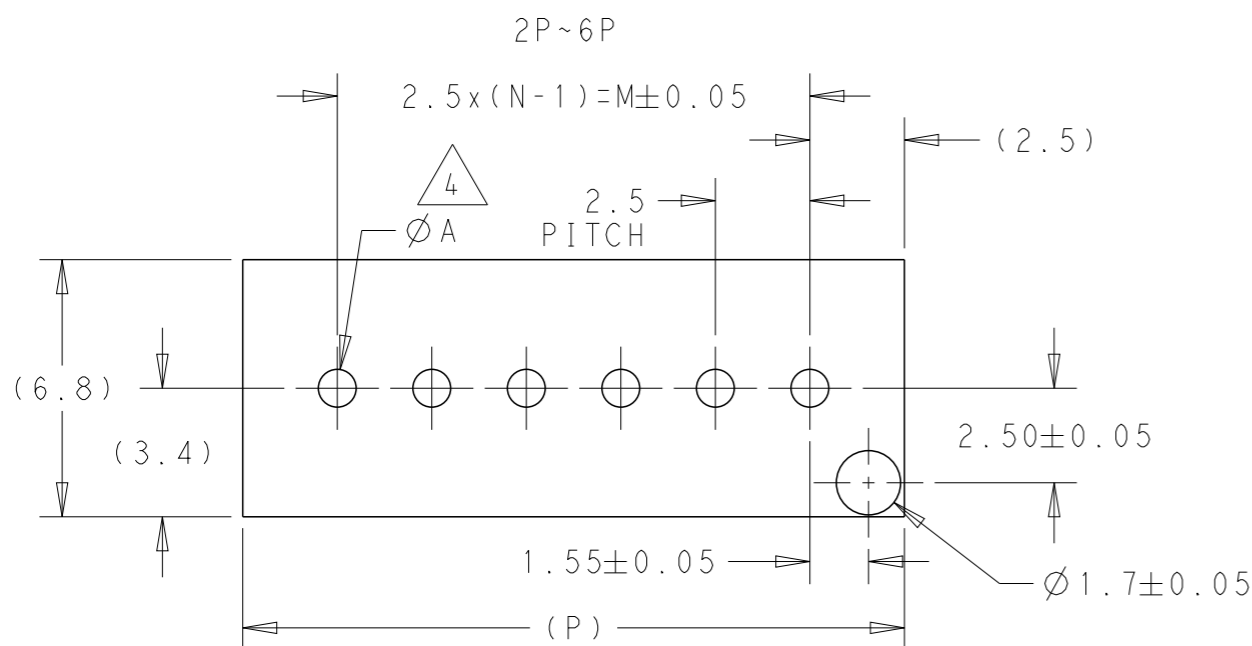
© COPYRIGHT 2018

BY - TE CONNECTIVITY

ALL RIGHTS RESERVED.

REVISIONS

P	LTR	DESCRIPTION	DATE	DWN	APVD
-		SEE SHEET 1	-	-	-

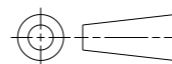


MATING CONN P/N	8	7	6	5	4	3	2	1	HOUSING POS	M	N	P	BOSS	COLOR	POS	PITCH	PART NUMBER
X-1747066-6			*	*	*	*	*	*	6	12.5	6	17.5	WITH	BLUE	6	2.50	2-1871843-6
			*	*	*	*	*	*	6	12.5	6	17.5	WITH	RED	6	2.50	1-1871843-6
			*	*	*	*	*	*	6	12.5	6	17.5	WITH	NATURAL	6	2.50	1871843-6
X-1747066-5				*	*	*	*	*	5	10	5	15.0	WITH	YELLOW	5	2.50	3-1871843-5
				*	*	*	*	*	5	10	5	15.0	WITH	BLUE	5	2.50	2-1871843-5
				*	*	*	*	*	5	10	5	15.0	WITH	RED	5	2.50	1-1871843-5
				*	*	*	*	*	5	10	5	15.0	WITH	NATURAL	5	2.50	1871843-5
X-1747066-4					*	*	*	*	4	7.5	4	12.5	WITH	NATURAL	4	2.50	1871843-4
					*	*	*	*	4	7.5	4	12.5	WITH	NATURAL	4	2.50	1871843-4
X-1747066-3						*	*	*	3	5	3	10.0	WITH	YELLOW	3	2.50	3-1871843-3
						*	*	*	3	5	3	10.0	WITH	BLUE	3	2.50	2-1871843-3
						*	*	*	3	5	3	10.0	WITH	RED	3	2.50	1-1871843-3
						*	*	*	3	5	3	10.0	WITH	NATURAL	3	2.50	1871843-3
X-1747066-2							*	*	2	2.5	2	7.5	WITH	BLACK	2	2.50	4-1871843-2
							*	*	2	2.5	2	7.5	WITH	YELLOW	2	2.50	3-1871843-2
							*	*	2	2.5	2	7.5	WITH	BLUE	2	2.50	2-1871843-2
							*	*	2	2.5	2	7.5	WITH	RED	2	2.50	1-1871843-2
							*	*	2	2.5	2	7.5	WITH	NATURAL	2	2.50	1871843-2

POST CONATCT POSITION  
 \* : POST CONATCT,  
 - : VACANCY

THIS DRAWING IS A CONTROLLED DOCUMENT.

DIMENSIONS:  
mm



MATERIAL  
SEE NOTE

TOLERANCES UNLESS OTHERWISE SPECIFIED:

- 0 PLC ±-
- 1 PLC ±-
- 2 PLC ±-
- 3 PLC ±-
- 4 PLC ±-
- ANGLES ±-
- FINISH ±-

DWN LILY LIU 29JAN08

CHK A. OISHI 29JAN08

APVD S. MANABE 29JAN08

PRODUCT SPEC

108-78307

APPLICATION SPEC

114-5359

WEIGHT -

CUSTOMER DRAWING

NAME GRACE INERTIA CONNECTOR 2.5 HDR ASSY TIN VERSION

SIZE CAGE CODE DRAWING NO RESTRICTED TO

A300779 C-1871843

SCALE 5:1 SHEET 3 OF 4 REV K



THIS DRAWING IS UNPUBLISHED.

RELEASED FOR PUBLICATION

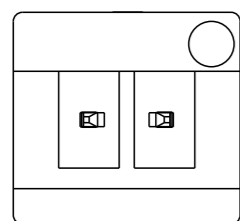
20

© COPYRIGHT 2018 BY - TE CONNECTIVITY

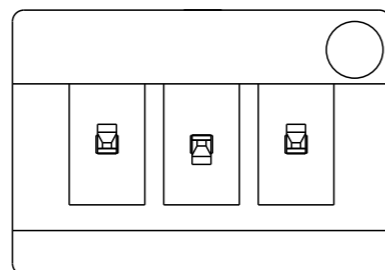
ALL RIGHTS RESERVED.

REVISIONS

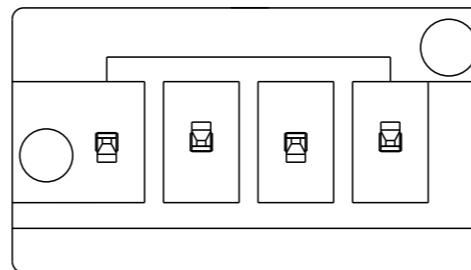
P	LTR	DESCRIPTION	DATE	DWN	APVD
	-	SEE SHEET 1	-	-	-



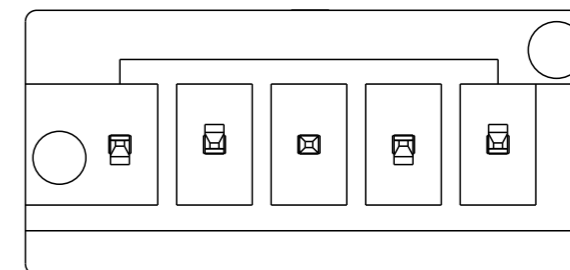
2POS



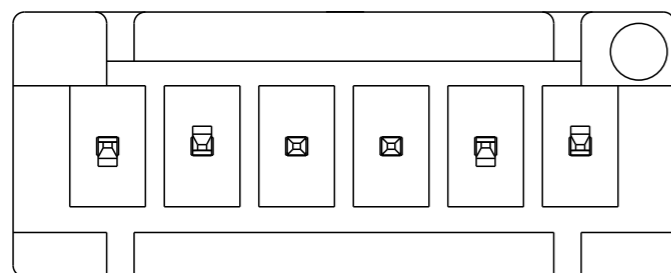
3POS



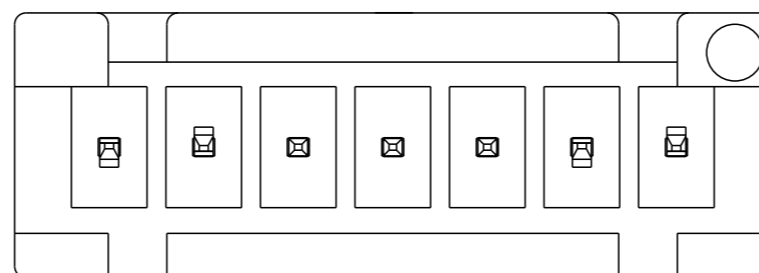
4POS



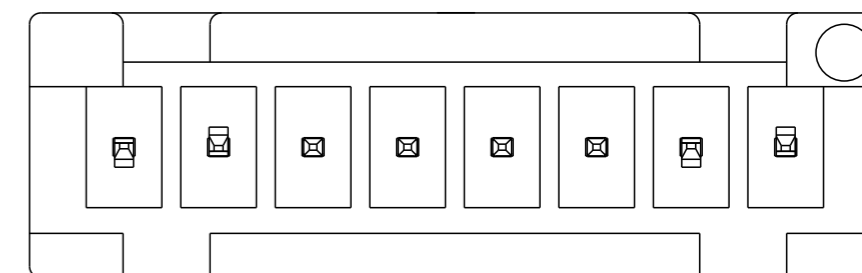
5POS



6POS



7POS

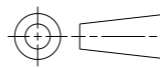


8POS

X-1747066-6			*	*	-	*	-	*	6	12.5	6	17.5	WITH	NATURAL	4	2.5/5.0	2069625-1
X-1747066-4					*	-	-	*	4	7.5	4	12.5	WITH	NATURAL	4	2.50	2134303-1
X-1747066-3						*	-	*	3	5.0	3	10.0	WITH	NATURAL	2	5.00	2013523-1
X-1747066-8	*	*	*	*	*	*	*	*	8	17.5	8	22.5	WITH	YELLOW	8	2.50	3-1871843-8
	*	*	*	*	*	*	*	*	8	17.5	8	22.5	WITH	BLUE	8	2.50	2-1871843-8
	*	*	*	*	*	*	*	*	8	17.5	8	22.5	WITH	RED	8	2.50	1-1871843-8
	*	*	*	*	*	*	*	*	8	17.5	8	22.5	WITH	NATURAL	8	2.50	1871843-8
MATING CONN P/N	8	7	6	5	4	3	2	1	HOUSING POS	M	N	P	BOSS	COLOR	POS	PITCH	PART NUMBER
	CIRCUIT NO.																

POST CONATCT POSITION  
 \*: POST CONATCT,  
 -: VACANCY

THIS DRAWING IS A CONTROLLED DOCUMENT.

DIMENSIONS: mm	TOLERANCES UNLESS OTHERWISE SPECIFIED:
	0 PLC ±-
	1 PLC ±-
	2 PLC ±-
	3 PLC ±-
	4 PLC ±-
	ANGLES ±-
MATERIAL SEE NOTE	FINISH -

DWN	LILY LIU	29JAN08
CHK	A. OISHI	29JAN08
APVD	S. MANABE	29JAN08
PRODUCT SPEC	108-78307	
APPLICATION SPEC	114-5359	
WEIGHT	-	
CUSTOMER DRAWING		

**TE** TE Connectivity

NAME: GRACE INERTIA CONNECTOR 2.5 HDR ASSY TIN VERSION

SIZE	CAGE CODE	DRAWING NO	RESTRICTED TO
A3	00779	1871843	-

SCALE: 5:1 SHEET: 4 OF 4 REV: K