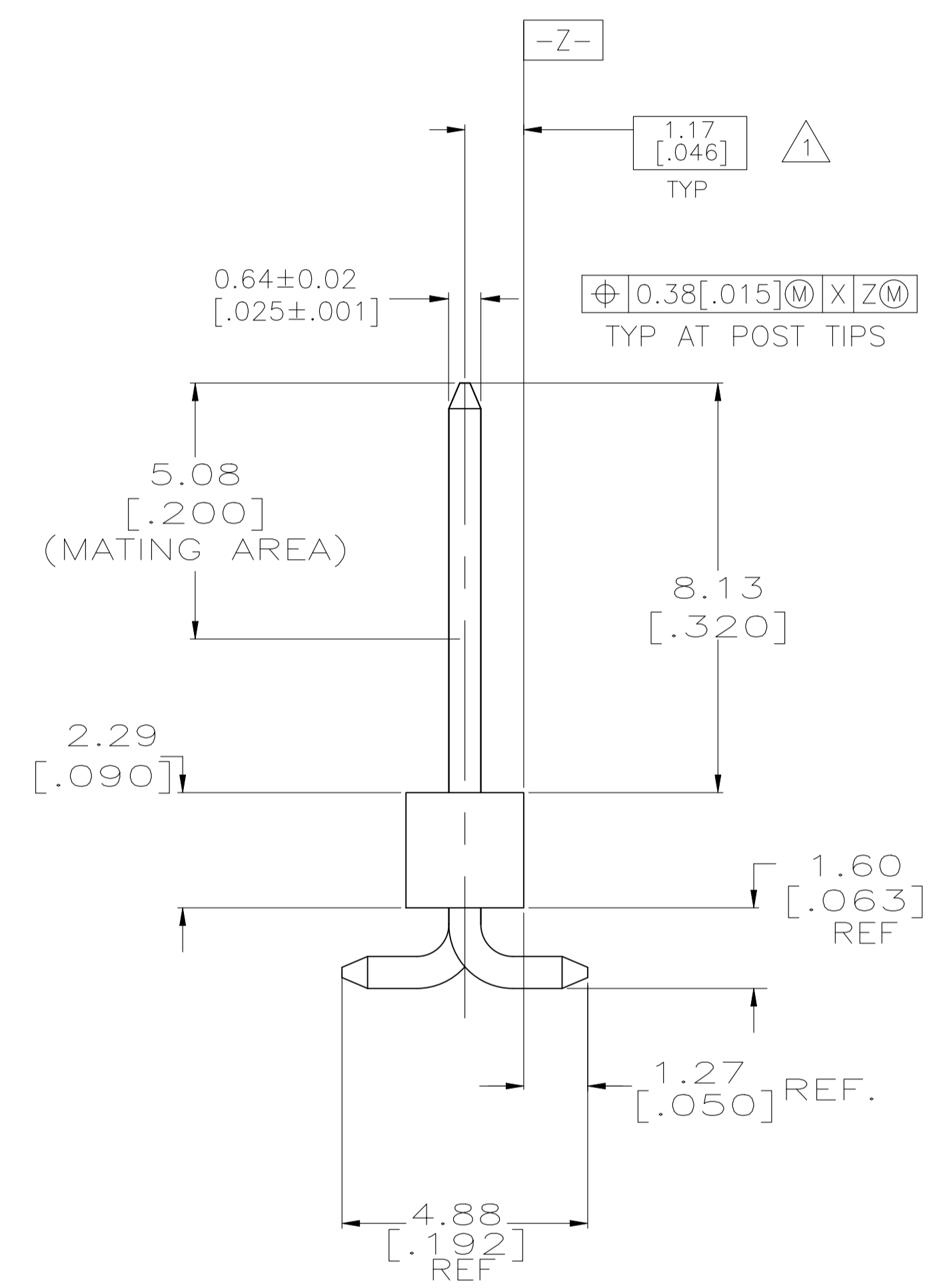
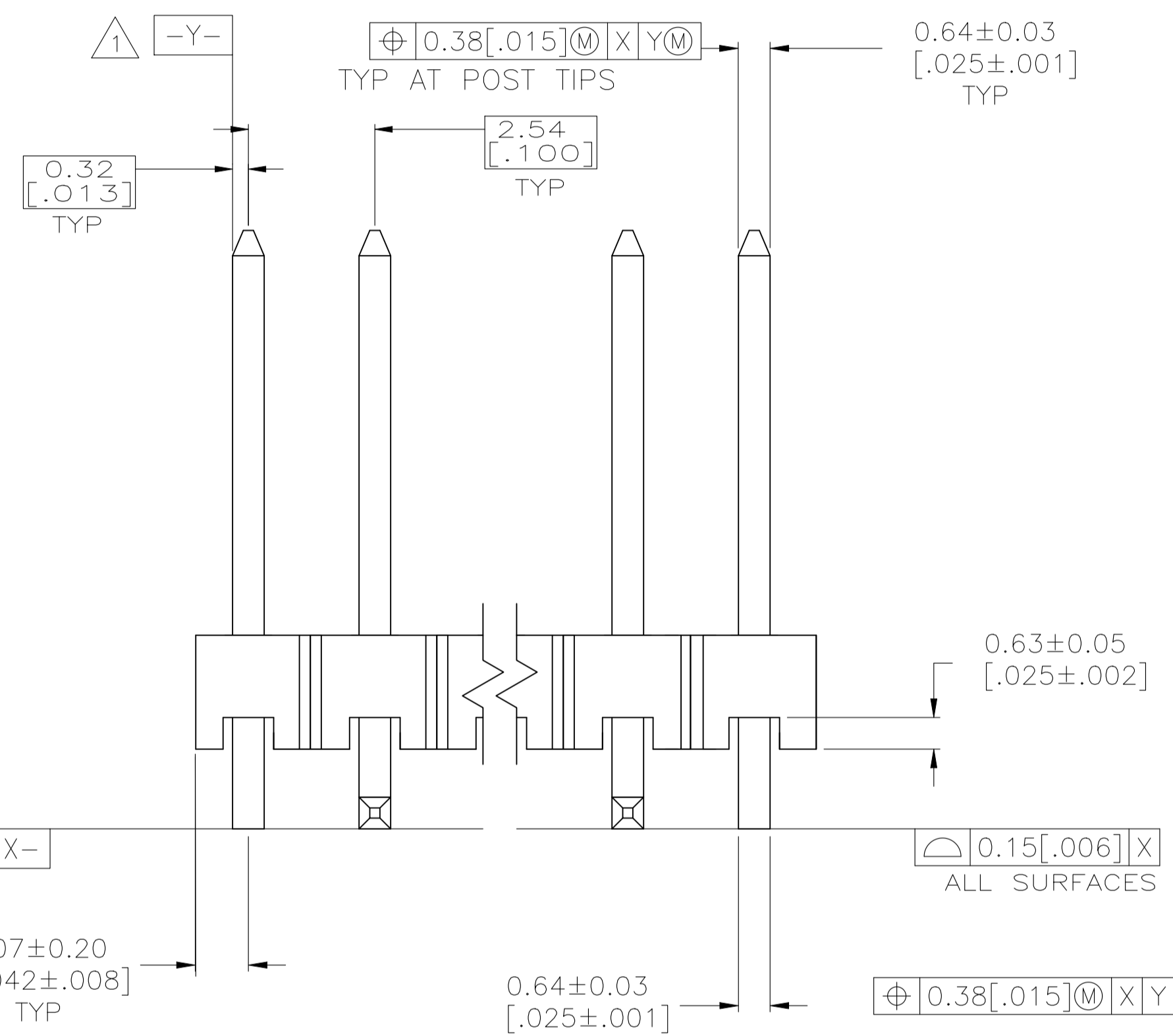
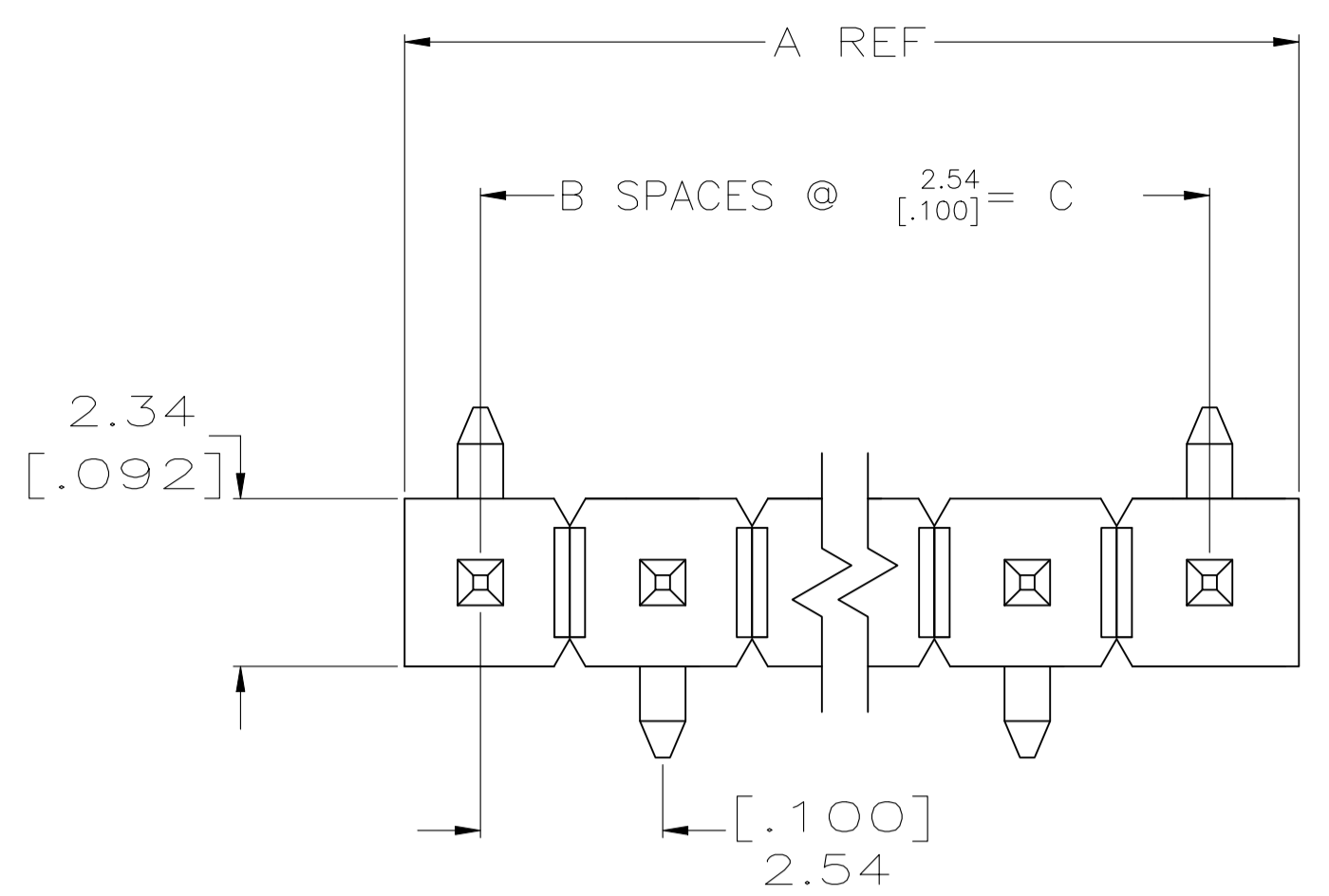
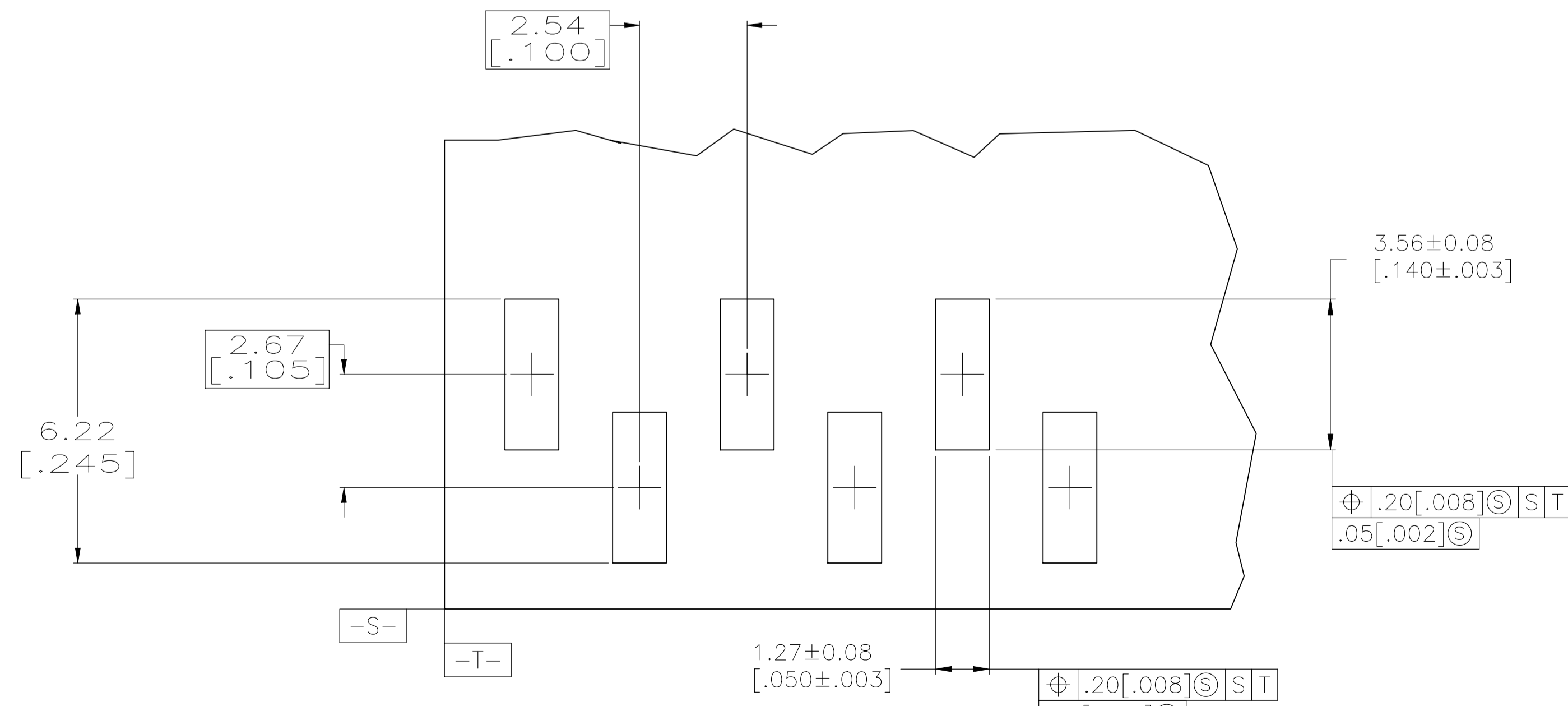


REVISIONS				
REV	DATE	BY	APPV	DESCRIPTION
L5	09FEB2026	ABS	PS	ECR-26-269705



- 1 THE NOTED DIMENSIONS APPLY AT THE INTERSECTION OF THE POST AND THE HOUSING.
- 2 0.00254[.000100]-0.00508[.000200] MATTE TIN-LEAD OVER
0.00127[.000050] NICKEL ENTIRE POST.
- 3 HOUSING: LCP, COLOR-BLACK.
POSTS: PHOSPHOR BRONZE.
- 4 0.00254[.000100]-0.00508[.000200] MATTE TIN OVER
0.00127[.000050] NICKEL ENTIRE POST.
- 5 OBSOLETE PARTS: OBSOLETE CIS STREAMLINING PER D.RENAUD/D.SINISI



RECOMMENDED PCB LAYOUT
FOR USE WITH .008 THICK STENCIL

REV	DATE	BY	APPV	DESCRIPTION
4				35.56 [1.400] 14 35.69 [1.484] 15 6-146133-3
4				33.02 [1.300] 13 33.15 [1.384] 14 6-146133-2
4				30.48 [1.200] 12 30.61 [1.284] 13 6-146133-1
4				27.94 [1.100] 11 28.07 [1.184] 12 6-146133-0
4				25.40 [1.000] 10 27.53 [1.084] 11 5-146133-9
4				22.86 [.900] 9 24.99 [.984] 10 5-146133-8
4				20.32 [.800] 8 22.45 [.884] 9 5-146133-7
4				17.78 [.700] 7 19.91 [.784] 8 5-146133-6
4				15.24 [.600] 6 17.37 [.684] 7 5-146133-5
4				12.70 [.500] 5 14.83 [.584] 6 5-146133-4
4				10.16 [.400] 4 12.29 [.484] 5 5-146133-3
4				7.62 [.300] 3 9.75 [.384] 4 5-146133-2
4				5.08 [.200] 2 7.21 [.284] 3 5-146133-1
4				17.78 [.700] 7 19.91 [.784] 8 1-146133-5
2				35.56 [1.400] 14 35.69 [1.484] 15 1-146133-3
2				33.02 [1.300] 13 33.15 [1.384] 14 1-146133-2
2				30.48 [1.200] 12 30.61 [1.284] 13 1-146133-1
2				27.94 [1.100] 11 28.07 [1.184] 12 1-146133-0
2				25.40 [1.000] 10 27.53 [1.084] 11 146133-9
2				22.86 [.900] 9 24.99 [.984] 10 146133-8
2				20.32 [.800] 8 22.45 [.884] 9 146133-7
2				17.78 [.700] 7 19.91 [.784] 8 146133-6
2				15.24 [.600] 6 17.37 [.684] 7 146133-5
2				12.70 [.500] 5 14.83 [.584] 6 146133-4
2				10.16 [.400] 4 12.29 [.484] 5 146133-3
2				7.62 [.300] 3 9.75 [.384] 4 146133-2
2				5.08 [.200] 2 7.21 [.284] 3 146133-1
SUPERSEDED BY 5-146133-7				
PLATING C B A NO OF POSN PART NUMBER				

THIS DRAWING IS A CONTROLLED DOCUMENT.

DIMENSIONS: mm [INCHES]

TOLERANCES UNLESS OTHERWISE SPECIFIED:

0. PLC	±	-
1. PLC	±	-
2. PLC	±	-
3. PLC	±	.127(.005)
4. PLC	±	-
ANGLES	±	-

MATERIAL: - FINISH: SEE TABLE 3

APPROVED: J. KNAUB, G. DUBNICZKI, G. DUBNICZKI

DATE: 30SEP94, 30SEP94, 30SEP94

NAME: SMT HEADER ASSY, MOD II, BREAKAWAY, VERT, SR, .100 X.100 C/L, .025 SQ. POST

SIZE: A1, CAGE CODE: 00779, DRAWING NO: 146133

WEIGHT: -

CUSTOMER DRAWING

SCALE: 1:1, SHEET 1 of 1, REV L5