

PRODUCT NUMBER
93689-YXX-XXLF

PLATING, SEE TABLE
(AS AVAILABLE)

PIN STYLE, SEE TABLE
(AS AVAILABLE)

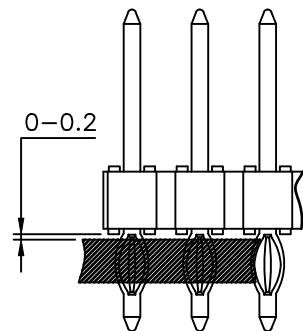
RoHS COMPATIBLE
SEE NOTE 6 & 7

TOTAL NB OF POS
02 TO 36

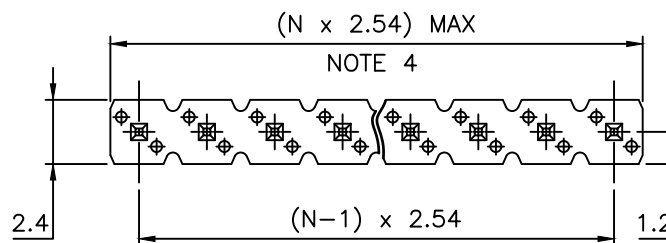
EXTENDED RANGE

- TOOLING FEASIBILITY CONFIRMED
- SAMPLES ON DEMAND
- AVAILABILITY ON DEMAND

PIN STYLE	DIM "A" REF	DIM "B" ±0.3	DIM "L" REF
01	7.74	4.50	14.78
02	10.36	4.50	17.40
03	5.68	4.50	12.83
04	14.80	4.75	22.15
05	8.30	4.50	15.44
06	6.80	3.60	12.90
07	17.50	3.60	23.85
08	12.20	3.00	17.74
09	9.26	3.20	14.96



RECOMMENDED POSITION ON THE PCB



DRILLED HOLE $\phi 1.15 \pm 0.025$

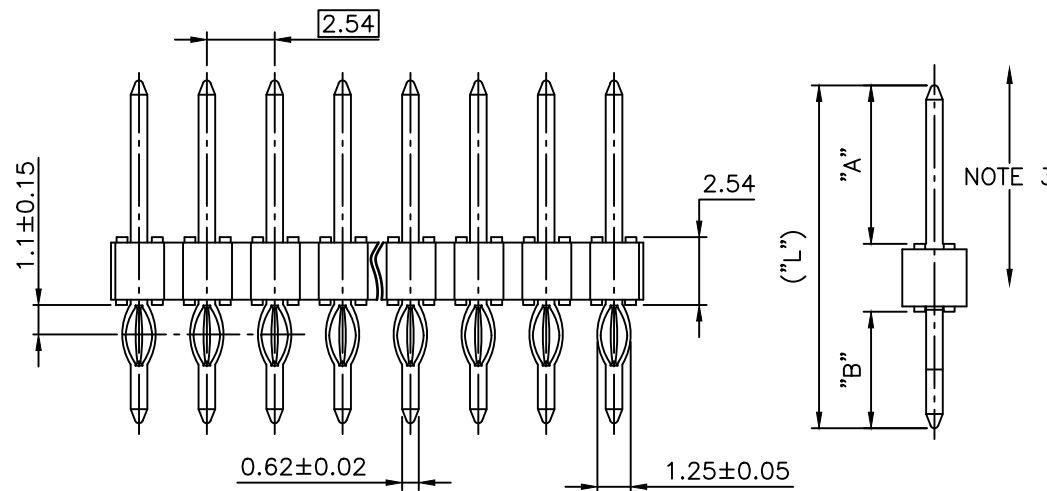
Cu 25 μ m-65 μ m

Sn 8 μ m-18 μ m

FINISHED PLATED HOLE $\phi 1.1 \pm 0.05$

NOTES:

- HOUSING MATERIAL: HIGH TEMPERATURE THERMOPLASTIC. UL94V-0 COLOR: BLACK
- PIN MATERIAL: PHOSPHOR BRONZE
- 9N MIN RETENTION IN EITHER DIRECTION
- TO DETERMINE DIMENSIONS:
N = NUMBER OF POSITIONS PER ROW
EXAMPLE: 8 POS PER ROW, $N \times 2.54 = 20.32\text{mm}$
- STANDARD PACKAGING IN POLYBAGS
- LEAD FREE CONNECTOR
- "LF" MEANS THAT THE PRODUCT IS RoHS COMPLIANT THEN MEETS EUROPEAN UNION DIRECTIVES AND OTHER COUNTRY REGULATION AS DESCRIBED IN GS-47-004
- THIS PART SERIES IS NOT INITIALLY INTENDED FOR AUTOMOTIVE APPLICATIONS. ADDITIONAL FEES ARE CHARGEABLE FOR ANY ADDITIONAL QUALIFICATION AND TEST REPORTS PERFORMED OUTSIDE THE SCOPE OF THE STANDARD PRODUCT SPECIFICATIONS.
- UNLESS OTHERWISE APPROVED BY AMPHENOL, ALL PARTS AND COMPONENTS ARE DESIGNED & BUILT ACCORDING TO AMPHENOL'S SPECIFICATIONS WHICH ARE SUBJECT TO CHANGE WITHOUT NOTICE.



XXXXX-TXXLF	2 μ m MIN FULL MATTE TIN PIN TYP PLATED OVER 1.27 μ m Ni MIN	
XXXXX-4XXLF	2 μ m TIN MIN OVER 1.27 μ m Ni MIN	
XXXXX-1XXLF	0.76 μ m GOLD/GXT OVER 1.27 μ m Ni MIN	1.0 μ m TIN OVER 1.27 μ m
PLATING NUMBER	CONTACT AREA	PRESS FIT TAIL AREA

mat'l. code		surface	tolerance	projection	product family
		ISO 1302	ISO 406 ISO 1101		BERGSTIK
ltr	ecn no	dr	date	tolerances unless otherwise specified	title
R	B-20781	AMA	15.04.28	angles linear	HEADER P-FIT SINGLE ROW
S	F-47107	DDE	23.01.25	.x ±0.3	
T	F-55250	DDE	25.04.03	.xx ±0.15	
U	F-59020	DDE	26.01.13	.xxx ±0.05	
		dr	J.COMPAGNON	95.07.25	dwg no
		engr	J.COMPAGNON	95.07.24	sheet 1 of 1
		chr	J.COMPAGNON	95.07.25	size
		appd	J.COMPAGNON	95.07.25	93689
					A3
					type
					CUSTOMER
					Drawing
sheet	revision				
index	sheet				