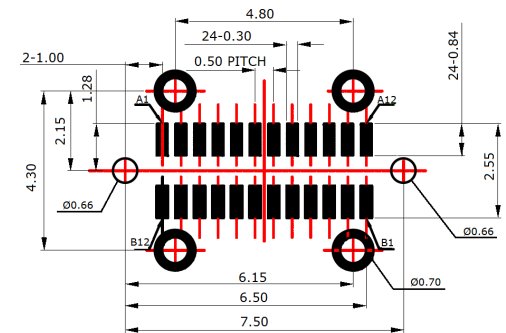
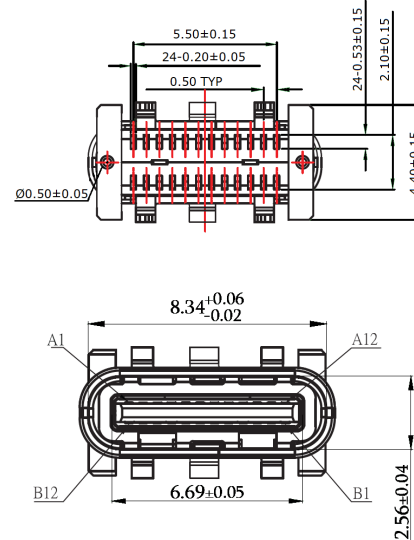
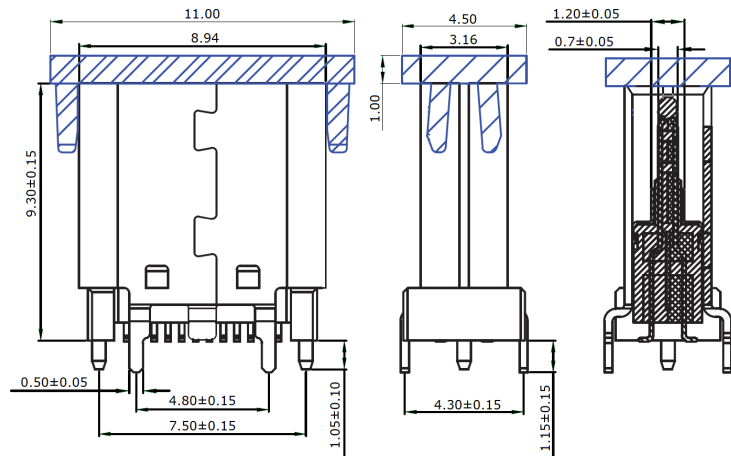
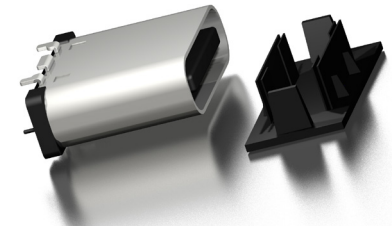


# SCNUS - UC - 124SGF - SOVST

**SUNTSU** Connector  
**USB** USB-C  
**Number of Ports** Number of Contacts  
**Contact Plating** SG : Selective Gold Female  
**Termination Style** SO : Solder Type Mounting Angle  
**Mounting Style** ST : Surface Mount and Through-Hole V : Vertical



## Specification:

Rated Current: 5A  
 Contact Resistance: 40mΩ MAX (Initial)  
 50mΩ MAX (After Test)  
 Insulation Resistance: 100MΩ Min  
 Dielectric Withstanding Voltage: 100V AC R.M.S.  
 Mating/Unmating Force: Mating Force (Initial): 5-20N  
 Unmating Force (After Test): 6-20N  
 Durability: 10,000 Cycles  
 Operating Temperature: -30°C ~ 85°C

## Material:

Housing: LCP +30% G.F, UL94V-0  
 Terminal: C7025, T=0.15mm  
 Shell: SUS304, T=0.30mm  
 Screw: SUS301, T=0.15mm



## USB TYPE C 3.1 FEMALE VERTICAL SURFACE MOUNT CONNECTOR

A1	GND	A7	Dn1	B1	GND	B7	Dn2
A2	SSTXp1	A8	SBU1	B2	SSTXp2	B8	SBU2
A3	SSTXn1	A9	VBUS	B3	SSTXn2	B9	VBUS
A4	VBUS	A10	SSRXn2	B4	VBUS	B10	SSRXn1
A5	CC1	A11	SSRXp2	B5	CC2	B11	SSRXp1
A6	Dp1	A12	GND	B6	Dp2	B12	GND

### Document History

Edits Made	Date	Edited By	Approved By
Initial Release	01/26/2021	B. Gibbons	KH Mun
Changed scale of PCB Layout from 2:1 to 1:1	06/28/2022	B. Gibbons	KH Mun
Updated 2D Drawings	06/17/2025	B. Gibbons	KH Mun

Part No.	REV.	Drawn	Page
SCNUS-UC-124SGF-SOVST	A	B. Gibbons 01/26/2021	1 / 1
Customer Part No.	SCALE	Checked	
	None	KH Mun 01/26/2021	
Tolerance	UNIT	Approved	
.x±0.30 .xx±0.20	mm	KH Mun 01/26/2021	