

回路番号1マーク
CIRCUIT NO.1 MARK

注)
NOTE

1. 嵌合相手:201647シリーズ
MATE WITH:201647 SERIES.

△2 製品番号 MATERIAL NO.

201648 0** *

極数
CIRCUIT SIZE

色
COLOR

NO.	COLOR
0	NATURAL
1	BLACK
2	RED
3	YELLOW
4	BLUE

△3 偶数極に適用

APPLY FOR CKT SIZE EQUAL EVEN.

4. 端子テール部及びネイルの平坦度は0.12MAX.とする。
TAIL AND NAIL COPLANARITY TO BE 0.12 MAX.

4	3.00	17.85	22.50	25.65	28.60	201648016*	16
3	8.25	17.85	21.00	24.15	27.10	201648015*	15
3	7.50	17.85	19.50	22.65	25.60	201648014*	14
3	6.75	12.00	18.00	21.15	24.10	201648013*	13
3	6.00	12.00	16.50	19.65	22.60	201648012*	12
2	5.25	12.00	15.00	18.15	21.10	201648011*	11
2	4.50	12.00	13.50	16.65	19.60	201648010*	10
2	3.75	8.50	12.00	15.15	18.10	201648009*	9
2	3.00	8.50	10.50	13.65	16.60	201648008*	8
1	-	8.50	9.00	12.15	15.10	201648007*	7
1	-	5.55	7.50	10.65	13.60	201648006*	6
1	-	5.55	6.00	9.15	12.10	201648005*	5
1	-	5.55	4.50	9.00	12.10	201648004*	4
1	-	4.20	3.00	7.50	10.60	201648003*	3
1	-	2.90	1.50	6.00	9.10	201648002*	2
NAIL QTY	E	D	C	B	A	オーダー番号 ORDER NO.	極数 CKT NO.

部品 PART	材質 MATERIAL	
ハウジング HOUSING	ポリアミド(PA), ガラス充填, UL94V-0, 色: 注記参照 POLYAMIDE(PA), GLASS FILLED, UL94V-0, COLOR: SEE NOTE	
ターミナル TERMINAL	黄銅 BRASS	前めっき PRE-PLATED
	錫めっき (リフロー処理), 1.0µm以上 TIN PLATED (HEAT TREATED MATTE TIN), 1.0µm MIN. ニッケルめっき(下地), 0.5µm以上 NICKEL (UNDER-PLATED), 0.5µm MIN.	
ネイル NAIL	黄銅 BRASS	
	無光沢錫めっき, 1.0µm以上 MATTE TIN, 1.0µm MIN. ニッケルめっき(下地), 1.0µm以上 NICKEL (UNDER-PLATED), 1.0µm MIN.	
DOCUMENT STATUS	P1	RELEASE DATE 2025/07/01 07:04:11

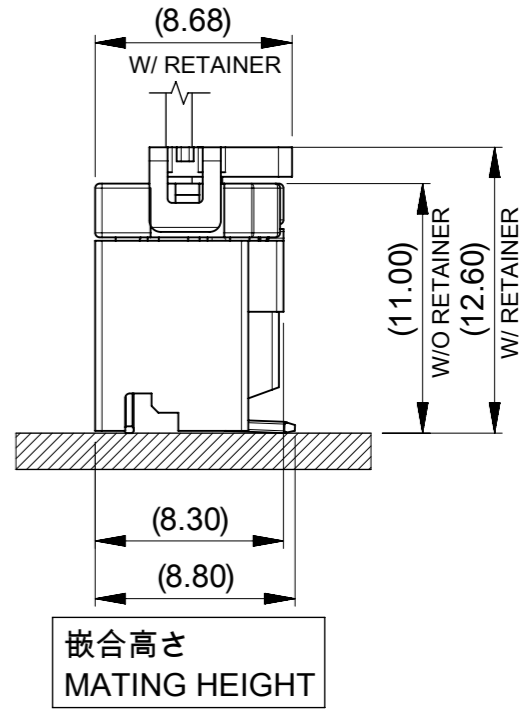
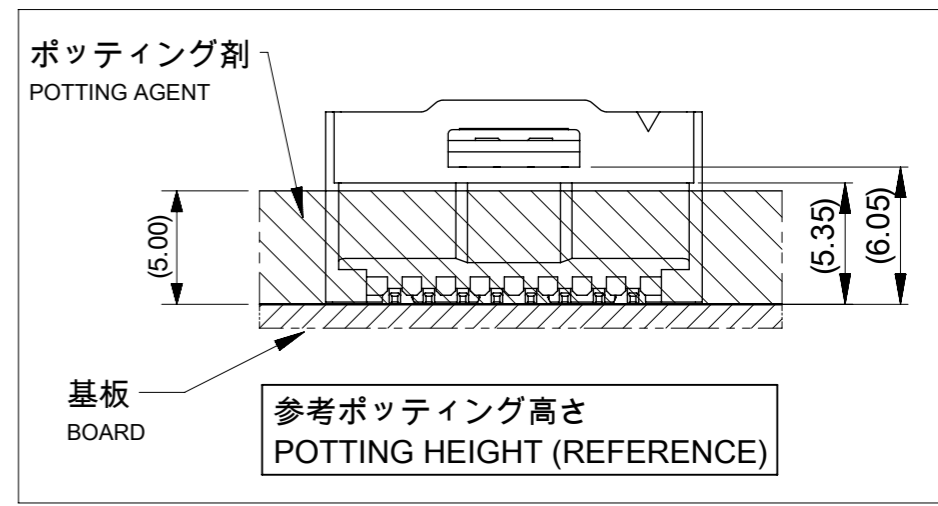
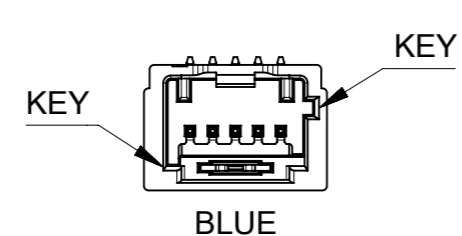
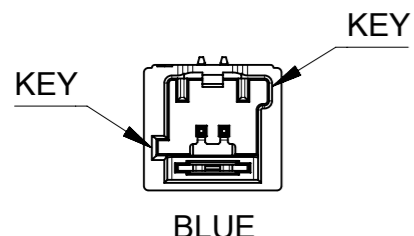
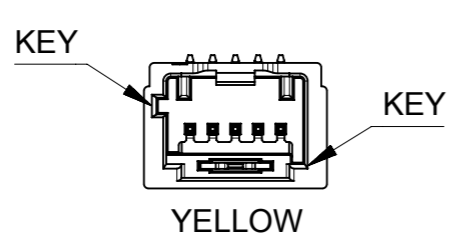
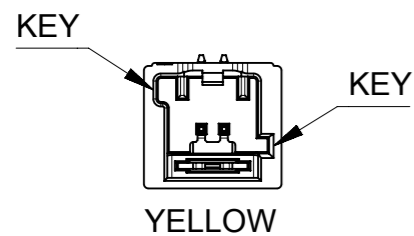
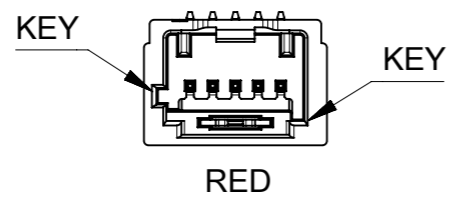
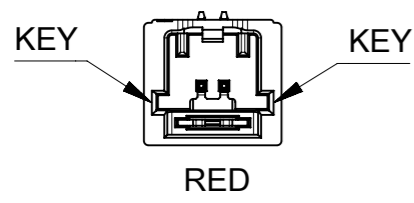
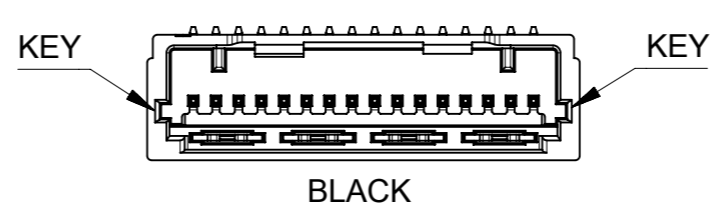
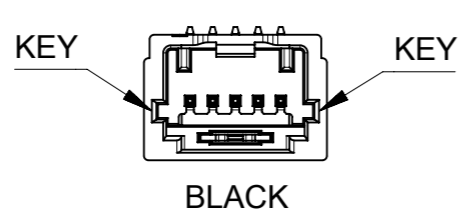
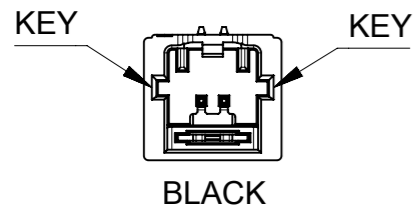
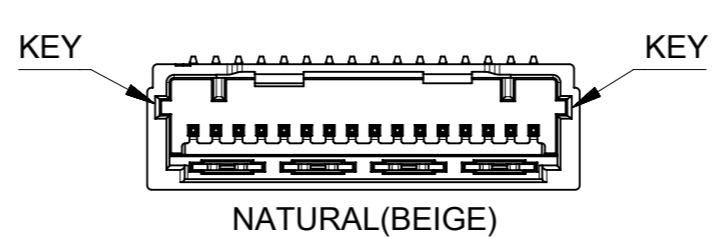
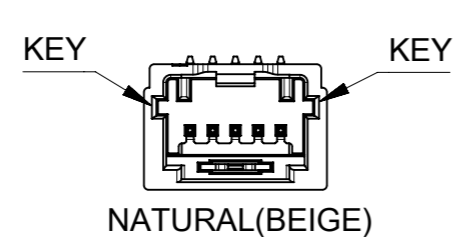
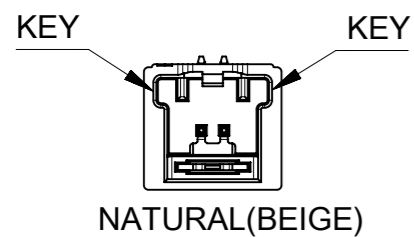
THIS DRAWING CONTAINS INFORMATION THAT IS PROPRIETARY TO MOLEX ELECTRONIC TECHNOLOGIES, LLC AND SHOULD NOT BE USED WITHOUT WRITTEN PERMISSION

DIMENSION UNITS mm	SCALE 3:1	CURRENT REV DESC: REMOVED OBSOLETE PART NUMBERS AS PER PCN #515183	molex		
GENERAL TOLERANCES (UNLESS SPECIFIED)					
ANGULAR TOL ± 3.0°	4 PLACES ± 0.2	EC NO: 826030	PRODUCT CUSTOMER DRAWING		
3 PLACES ± 0.2	2 PLACES ± 0.2	DRWN: PRANAA 2025/06/19	DOCUMENT NUMBER 2016480001		
1 PLACE ± 0.2	0 PLACES ± 0.2	CHK'D: GGA 2025/07/01	DOC TYPE DOC PART REVISION PSD 000 B1		
DRAFT WHERE APPLICABLE MUST REMAIN WITHIN DIMENSIONS		APPR: GGA 2025/07/01	MATERIAL NUMBER 2016480***		SHEET NUMBER 1 OF 4
THIRD ANGLE PROJECTION		DRAWING A3-SIZE	SERIES 201648	CUSTOMER GENERAL	

2~4極
2~4CKT

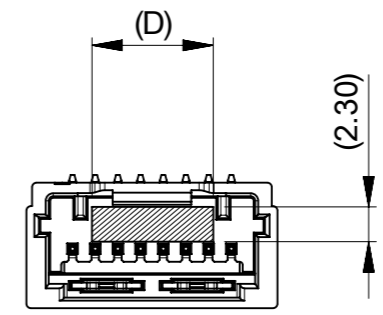
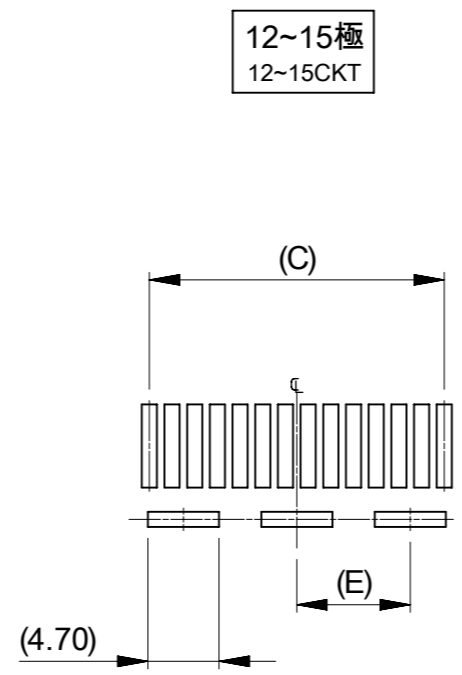
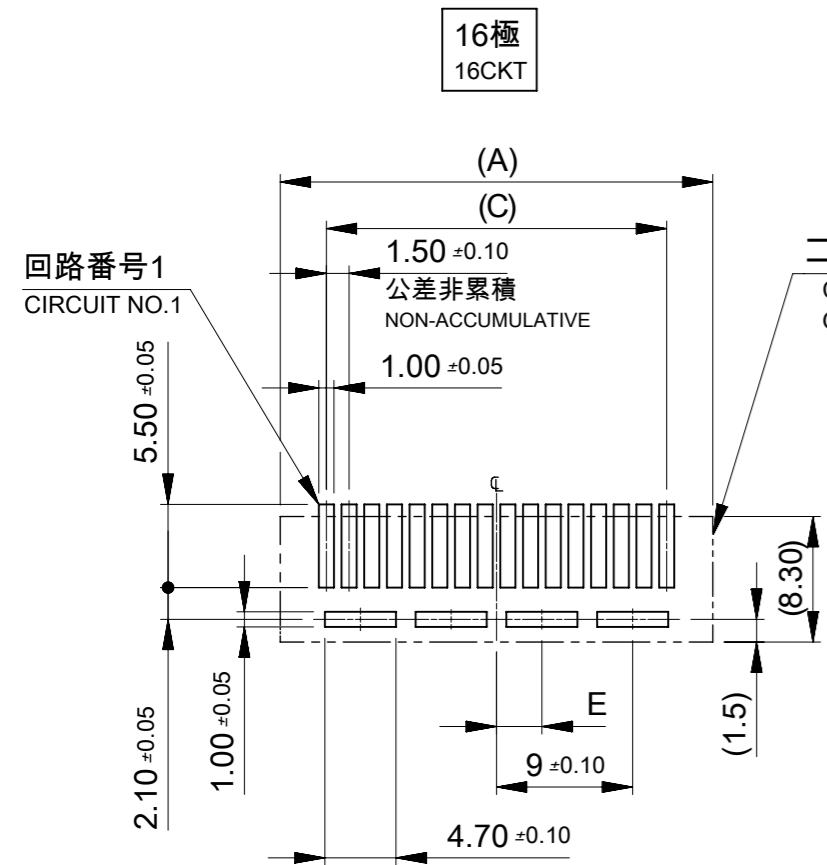
5極
5CKT

6~16極
6~16CKT

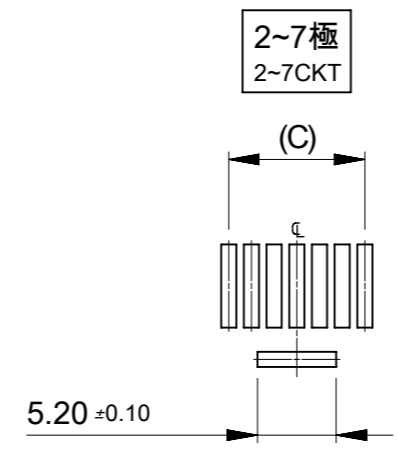
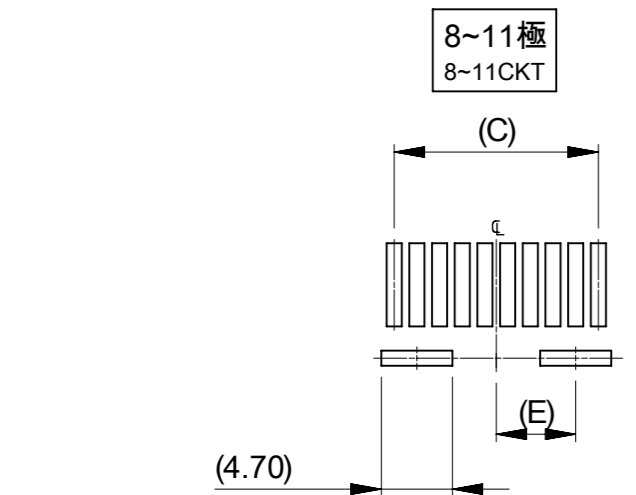


色によるキー位置違い
COLOR VS KEY POSITION

THIS DRAWING CONTAINS INFORMATION THAT IS PROPRIETARY TO MOLEX ELECTRONIC TECHNOLOGIES, LLC AND SHOULD NOT BE USED WITHOUT WRITTEN PERMISSION									
DIMENSION UNITS	SCALE	CURRENT REV DESC: REMOVED OBSOLETE PART NUMBERS AS PER PCN #515183							
mm	2:1								
GENERAL TOLERANCES (UNLESS SPECIFIED)									
ANGULAR TOL	± 3.0 °	SPOT-ON 1.5 SINGLE PLUG ASSY							
4 PLACES	± 0.2								
3 PLACES	± 0.2	PRODUCT CUSTOMER DRAWING							
2 PLACES	± 0.2								
1 PLACE	± 0.2	DOCUMENT NUMBER: 2016480001							
0 PLACES	± 0.2								
DRAFT WHERE APPLICABLE MUST REMAIN WITHIN DIMENSIONS		THIRD ANGLE PROJECTION	DRAWING	SERIES	MATERIAL NUMBER	CUSTOMER	SHEET NUMBER		
			A3-SIZE	201648	2016480***	GENERAL	2 OF 4		



吸着範囲
VACCUME AREA



推奨基板パターンレイアウト
RECOMMENDED PCB PATTERN LAYOUT

メタルマスク厚 : 0.15
METAL MASK THICKNESS: 0.15
開口率 : 100%
APARTURE RATIO: 100%

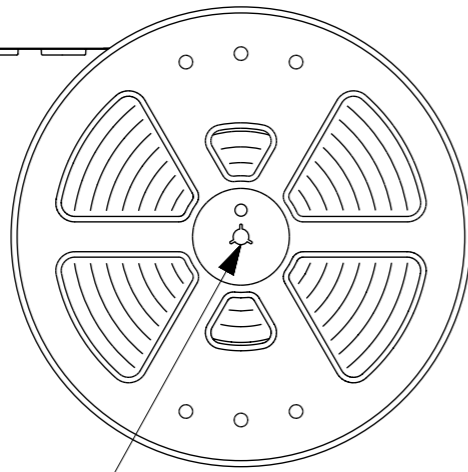
BLUE	YELLOW	RED	BLACK	NATURAL (BEIGE)	HOUSING COLOR
-	-	-	2016480161	-	16
-	-	-	-	-	15
-	-	-	2016480141	-	14
-	-	-	-	-	13
-	-	-	2016480121	-	12
-	-	-	-	-	11
-	-	-	2016480101	-	10
-	-	-	-	-	9
-	-	-	2016480081	2016480080	8
-	-	-	-	-	7
-	-	-	2016480061	-	6
-	-	-	-	2016480050	5
-	-	2016480042	-	2016480040	4
2016480034	-	-	-	2016480030	3
2016480024	-	2016480022	-	2016480020	2

エンボステープ梱包
EMBOSSSED TAPE PKG
△ オーダー番号
ORDER NO. 極数
CKT NO.

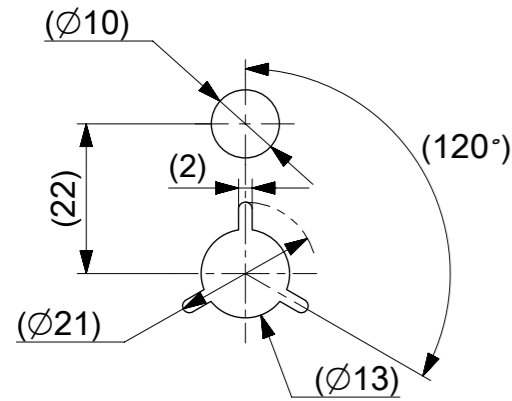
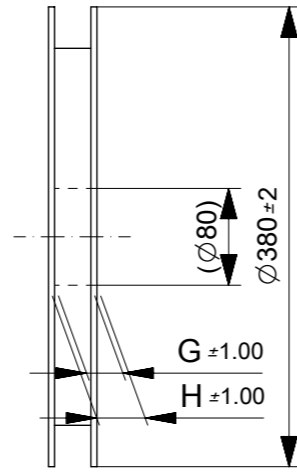
THIS DRAWING CONTAINS INFORMATION THAT IS PROPRIETARY TO MOLEX ELECTRONIC TECHNOLOGIES, LLC AND SHOULD NOT BE USED WITHOUT WRITTEN PERMISSION

DIMENSION UNITS mm	SCALE 2:1	CURRENT REV DESC: REMOVED OBSOLETE PART NUMBERS AS PER PCN #515183	molex		
GENERAL TOLERANCES (UNLESS SPECIFIED)		EC NO: 826030			
ANGULAR TOL ± 3.0 °	4 PLACES ± 0.2	DRWN: PRANAA 2025/06/19	PRODUCT CUSTOMER DRAWING		
3 PLACES ± 0.2	2 PLACES ± 0.2	CHK'D: GGA 2025/07/01	DOCUMENT NUMBER		
2 PLACES ± 0.2	1 PLACE ± 0.2	APPR: GGA 2025/07/01	2016480001		
1 PLACE ± 0.2	0 PLACES ± 0.2	INITIAL REVISION: DRWN: MIKEDA01 2017/02/09 APPR: TKANEKO 2017/02/15	DOC TYPE	DOC PART	REVISION
DRAFT WHERE APPLICABLE MUST REMAIN WITHIN DIMENSIONS		THIRD ANGLE PROJECTION	SHEET NUMBER	3 OF 4	

引き出し方向
PULL OUT DIRECTION

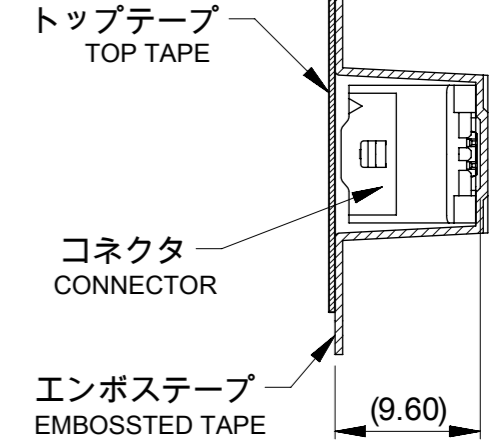
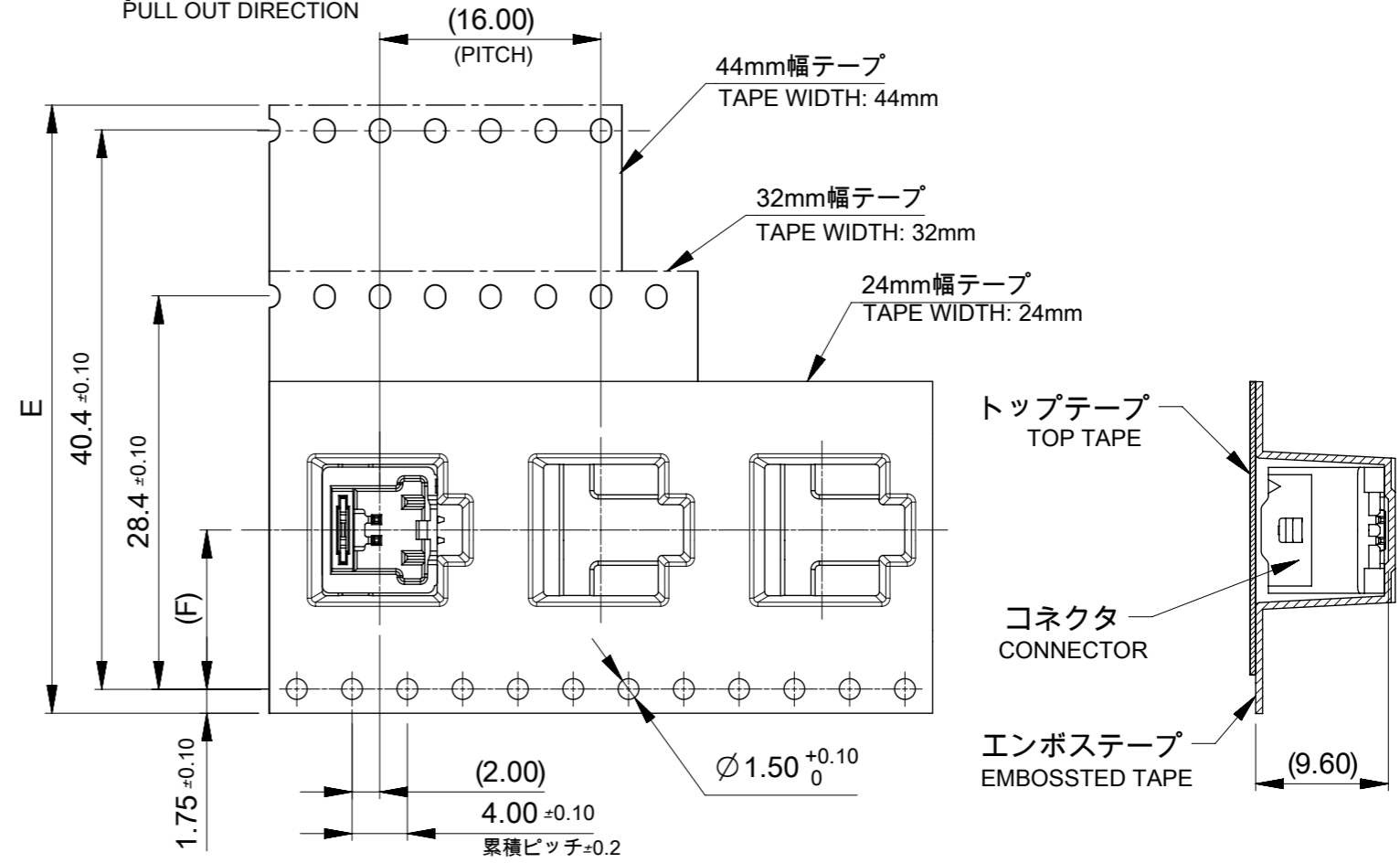


"J"



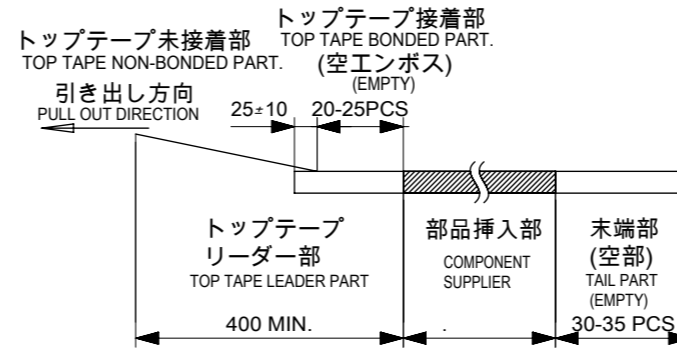
DETAIL "J"

引出方向
PULL OUT DIRECTION



NOTES

- 梱包数量 : 590個 / リール
NUMBER OF CONNECTORS : 590 PCS/REEL.
- リードテープ長さ
LEAD TAPE LENGTH.



7. 材料

キャリアテープ : ポリスチレン(PS)、その他
 トップテープ : ポリエステル(PET)、その他
 リール : ポリスチレン(PS)リサイクル材を含む
 MATERIALS
 CARRIER TAPE : POLYSTYRENE(PS), OTHER
 TOP TAPE : POLYESTER(PET), OTHER
 REEL : POLYSTYRENE(PS) RECYCLE MATERIAL CONTAINED

48.4	44.4	20.2	44 ± 0.3	201648160*	16
				201648150*	15
				201648140*	14
				201648130*	13
				201648120*	12
				201648110*	11
36.4	32.4	14.2	32 ± 0.3	201648100*	10
				201648090*	9
				201648080*	8
28.4	24.4	11.5	24 ^{+0.3} _{-0.1}	201648070*	7
				201648060*	6
				201648050*	5
				201648040*	4
H	G	F	E エンボステープ幅 WIDTH OF TAPE	201648030*	3
				201648020*	2
H	G	F	E エンボステープ幅 WIDTH OF TAPE	エンボステープ梱包 EMBOSSED TAPE PKG	極数 CKT NO.
				オーダー番号 ORDER NO.	

THIS DRAWING CONTAINS INFORMATION THAT IS PROPRIETARY TO MOLEX ELECTRONIC TECHNOLOGIES, LLC AND SHOULD NOT BE USED WITHOUT WRITTEN PERMISSION													
DIMENSION UNITS mm		SCALE 2:1		CURRENT REV DESC: REMOVED OBSOLETE PART NUMBERS AS PER PCN #515183									
GENERAL TOLERANCES (UNLESS SPECIFIED)				<p>SPOT-ON 1.5 SINGLE PLUG ASSY</p> <p>PRODUCT CUSTOMER DRAWING</p>									
ANGULAR TOL ± 3.0 °													
4 PLACES ± 0.2		EC NO: 826030								2025/06/19			
3 PLACES ± 0.2		DRWN: PRANAA								2025/07/01			
2 PLACES ± 0.2		CHK'D: GGA								2025/07/01			
1 PLACE ± 0.2		APPR: GGA								2025/07/01			
0 PLACES ± 0.2		INITIAL REVISION:		DOCUMENT NUMBER		DOC TYPE		DOC PART					
		DRWN: MIKEDA01		2017/02/09		2016480001		PSD 000 B1					
		APPR: TKANEKO		2017/02/15									
DRAFT WHERE APPLICABLE MUST REMAIN WITHIN DIMENSIONS		THIRD ANGLE PROJECTION		DRAWING		SERIES		MATERIAL NUMBER					
				A3-SIZE		201648		2016480***					
				CUSTOMER		GENERAL		SHEET NUMBER					
								4 OF 4					