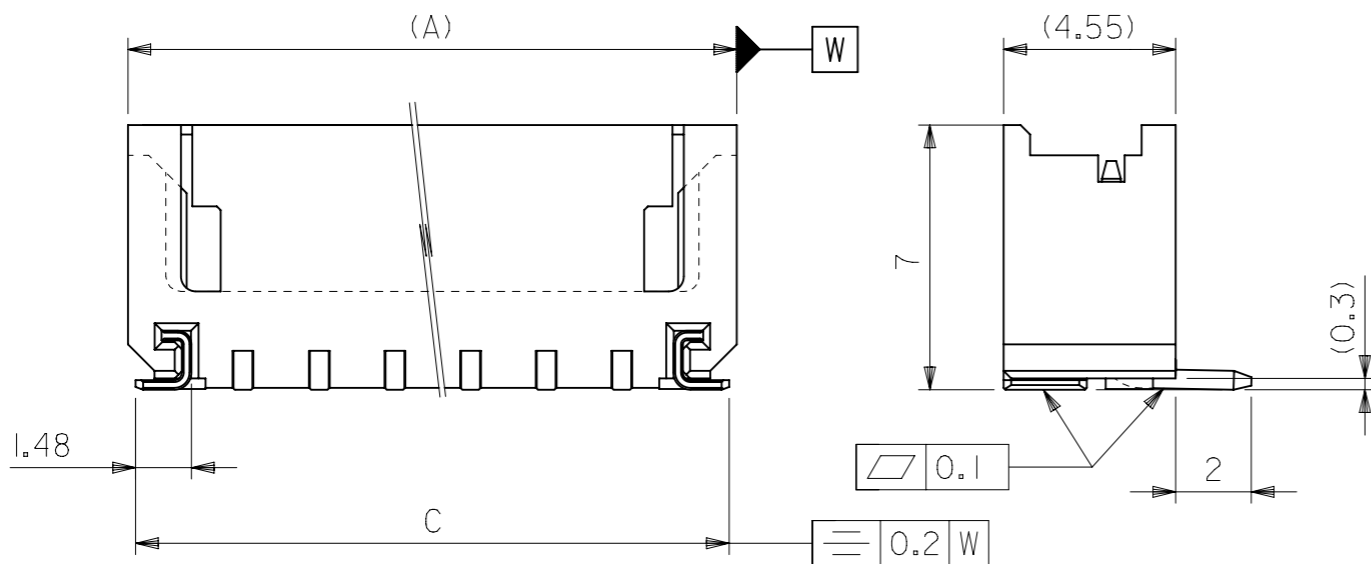


参考基板レイアウト
RECOMMENDED P.C.BOARD PATTERN DIM.(REF.)



注記
NOTES

- 材質
MATERIAL
ウェハー : PA (UL94V-0)
WAFER : PA (UL94V-0)
ピン : 黄銅 (φ0.5), 銅下地錫メッキ
PIN : BRASS φ0.5, TIN OVER COPPER PLATING
金具 : リン青銅 (t=0.25), ニッケル下地錫メッキ
NAIL : PHOSPHOR BRONZE (t=0.25), TIN OVER NICKEL PLATING
- 嵌合相手 : 51090, 52484 シリーズ
MATE WITH 51090, 52484 SERIES.
- 本製品は 55460-**-10 の鉛フリー品である。
THIS PRODUCT IS LEAD FREE OF 55460-**-10.
- ELV AND RoHS COMPLIANT.

8.1	9.7	4	10.1	55460-0372	3
6.1	7.7	2	8.1	55460-0272	2
D	C	B	A	EMBOSSED PACKAGE オーダー番号 ORDER No.	極数 CKTS.

CONNECTOR SERIES NO. 55460-**-19

GENERAL TOLERANCES
(UNLESS SPECIFIED)

10 ^{UNDER}	±0.2
10 ^{OVER} 30 ^{UNDER}	±0.25
30 ^{OVER}	±0.3

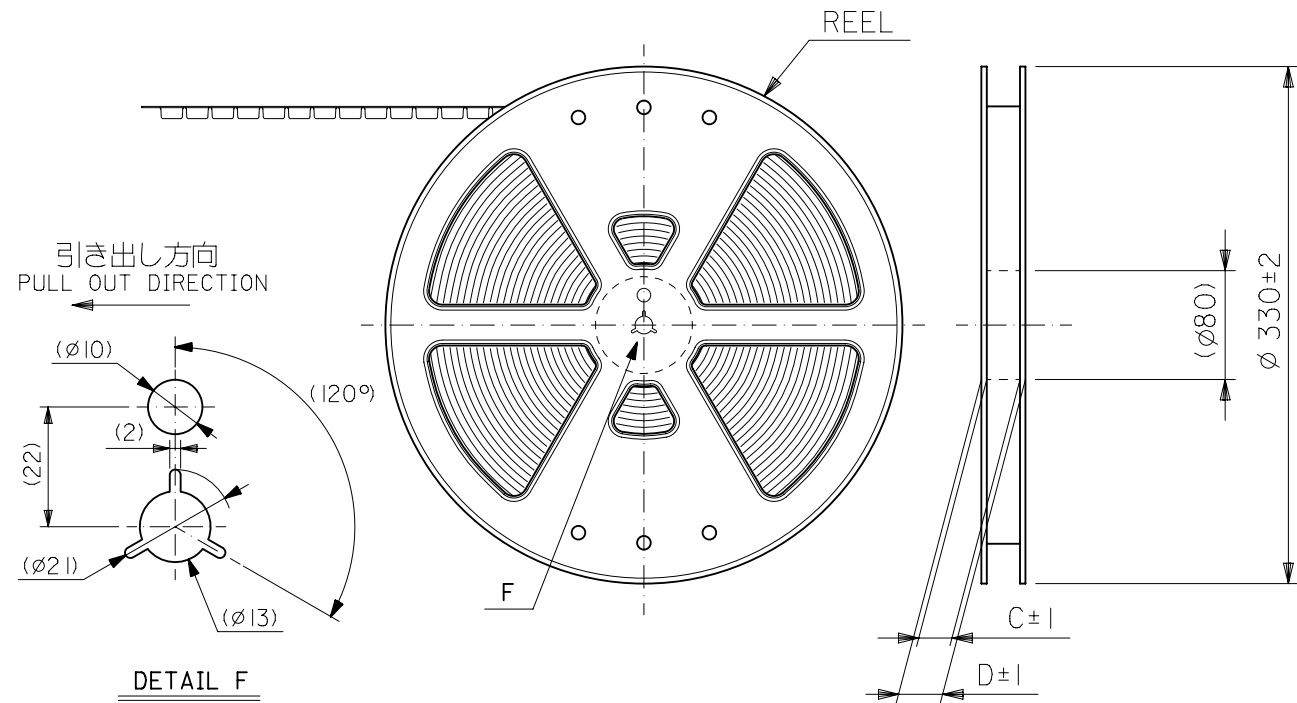
THIS DRAWING CONTAINS INFORMATION THAT IS PROPRIETARY TO MOLEX ELECTRONIC TECHNOLOGIES, LLC AND SHOULD NOT BE USED WITHOUT WRITTEN PERMISSION

DIMENSION UNITS	SCALE	CURRENT REV DESC: REMOVED OBSOLETE PART NUMBERS AS PER PCN#515990
mm	NTS	
GENERAL TOLERANCES (UNLESS SPECIFIED)		
4 PLACES	±	
3 PLACES	±	
2 PLACES	±	
1 PLACE	±	
0 PLACES	±	
ANGULAR TOL	± 3.0°	
DRAFT WHERE APPLICABLE MUST REMAIN WITHIN DIMENSIONS		
THIRD ANGLE PROJECTION		
DRAWING	SERIES	MATERIAL NUMBER
A3-SIZE	55460	SEE TABLE
CUSTOMER		
GENERAL MARKET		
SHEET NUMBER		
1 OF 1		

EC NO: 836477
DRWN: SANATK1 2025/09/10
CHK'D: GGA 2025/10/07
APPR: GGA 2025/10/07
INITIAL REVISION:
DRWN: T.UENO 2004/03/29
APPR: YOITO 2012/09/20

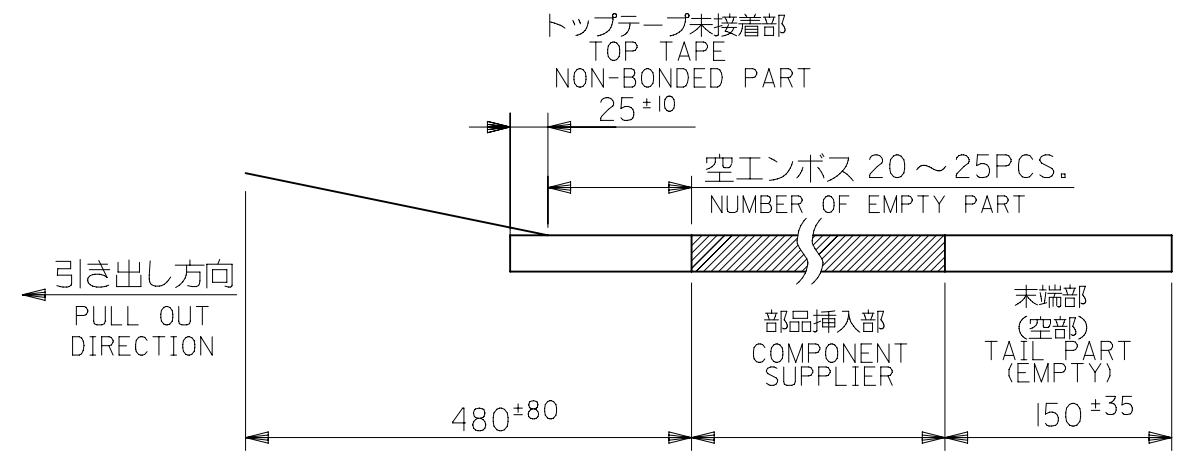
DOCUMENT NUMBER: SD-55460-010
DOC TYPE: PSD
DOC PART: 001
REVISION: C3

2.0 W/B CONN WAFER ASSY FOR SMT ST
PRODUCT CUSTOMER DRAWING



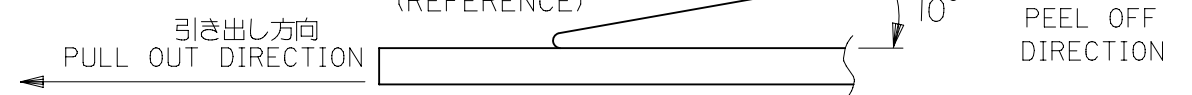
NOTES

- 梱包数量：900個/リール
NUMBER OF CONNECTOR:900PCS/REEL
- リードテープ長さ
LEAD TAPE LENGTH



- トップテープの剥離強度：0.1N ~ 1.3N(10gf ~ 130gf) (剥離方向は下図参照)
PEELING OFF FORCE OF TOP TAPE: 0.1N ~ 1.3N(10gf ~ 130gf)
(PEELING DIRECTION IS SHOWN IN FOLLOWING FIG.)

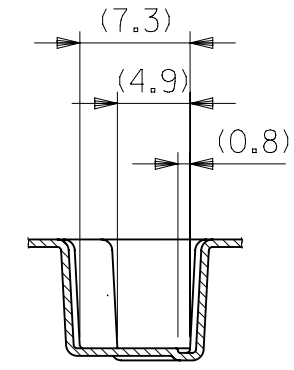
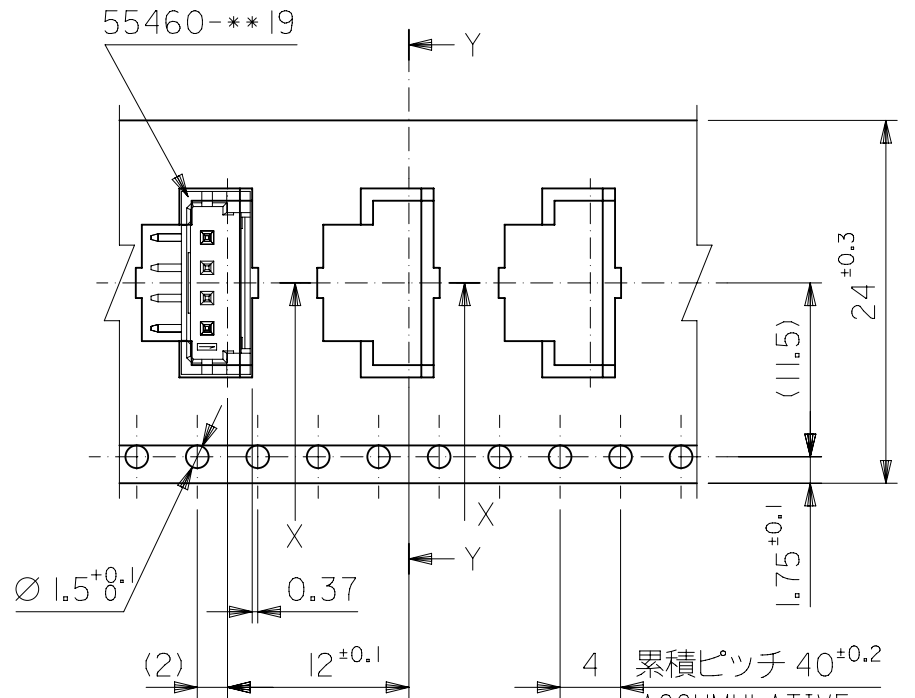
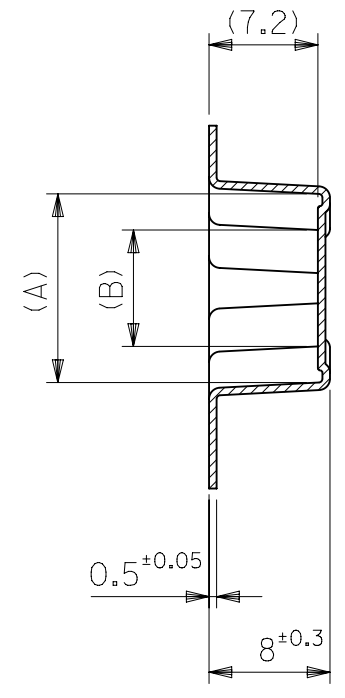
<剥離速度：300mm/min(参考)>
PEELING SPEED:300mm/min.
(REFERENCE)



- 55460-**-19 の詳細寸法については図面 SD-55460-010 を参照下さい。
RE DETAILED DIMENSIONS,SEE SD-55460-010

- 材料 (MATERIAL)
キャリアテープ(CARRIER TAPE):ポリプロピレン(POLYPROPYLENE)
トップテープ (TOP TAPE): PET ,PE ,PEF
リール (REEL) : ポリスチレン (PS) <リサイクル材を含む>
POLYSTYRENE(PS)<RECYCLE MATERIAL CONTAINED>

- 本製品は 55460-**-90 の鉛フリー品である。
THIS PRODUCT IS LEAD FREE OF 55460-**90.



SECT. X-X

累積ピッチ 40±0.2
ACCUMULATIVE PITCH 40±0.2
24mm幅キャリアテープ
24mm WIDTH CARRIER TAPE

24	29.4	25.4	5.7	10.45	55460-0372	3
			3.7	8.45	55460-0272	2
キャリアテープ幅	D	C	B	A	MATERIAL NO.	極数 CKTS.

MATERIAL 材料	注記参照 SEE NOTES	GENERAL TOLERANCES: (UNLESS SPECIFIED) 一般公差
FINISH 仕上げ	—//—	10 UNDER 未満 ±0.2 10 OVER 以上 30 UNDER 未満 ±0.25 30 OVER 以上 ±0.3
WIRE RANGE 適用電線範囲	—//—	ANGLE 角度 ±3°
INS. RANGE 被覆外径	—//—	

55460-**-72 MODEL NO.

THIS DRAWING CONTAINS INFORMATION THAT IS PROPRIETARY TO MOLEX ELECTRONIC TECHNOLOGIES, LLC AND SHOULD NOT BE USED WITHOUT WRITTEN PERMISSION

CURRENT REV DESC: REMOVED OBSOLETE PART NUMBERS AS PER PCN#515990

molex

2.0 W-TO-B CONN.
WAFER ASSY EMBSTP PKG -LEAD FREE-

PRODUCT CUSTOMER DRAWING

EC NO: 836477
DRWN: SANATK1 2025/10/06
CHKD: GGA 2025/10/07
APPR: GGA 2025/10/07

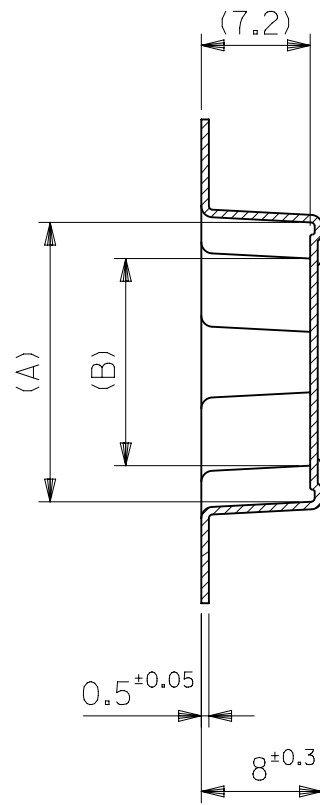
INITIAL REVISION:
DRWN: T.UENO 2004/03/29
APPR: M.SASAO 2004/03/29

DOCUMENT NUMBER: SD-55460-011
DOC TYPE: PSD
DOC PART: 001
REVISION: A1

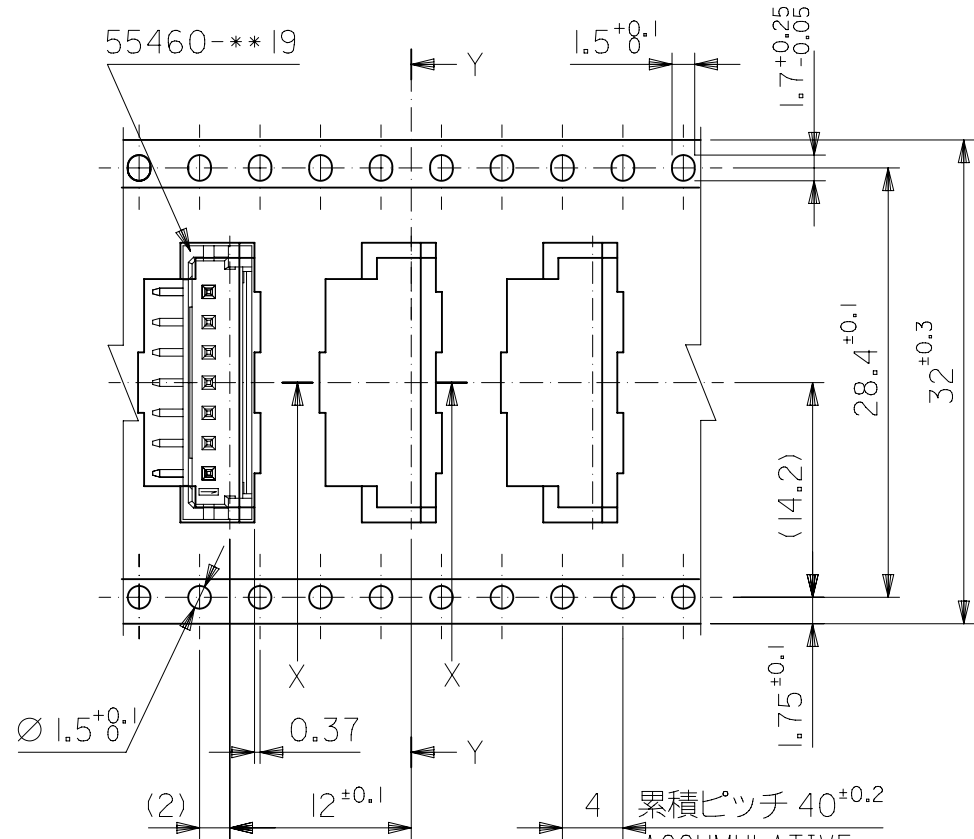
DRAFT WHERE APPLICABLE MUST REMAIN WITHIN DIMENSIONS

THIRD ANGLE PROJECTION

DRAWING: B-SIZE
SERIES: 55460
MATERIAL NUMBER: SEE CHART
CUSTOMER: GENERAL MARKET
SHEET NUMBER: 1 OF 3

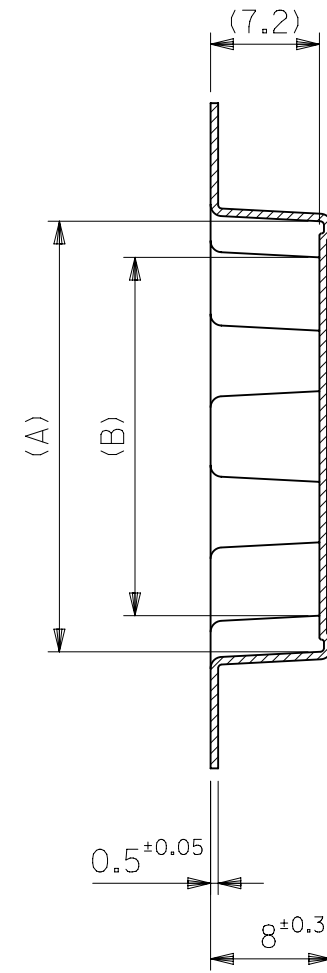


SECT. Y-Y

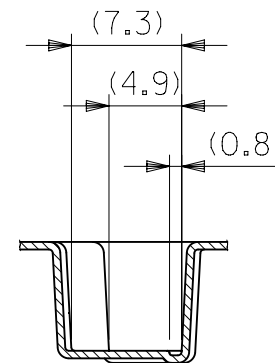


引き出し方向
PULL OUT DIRECTION

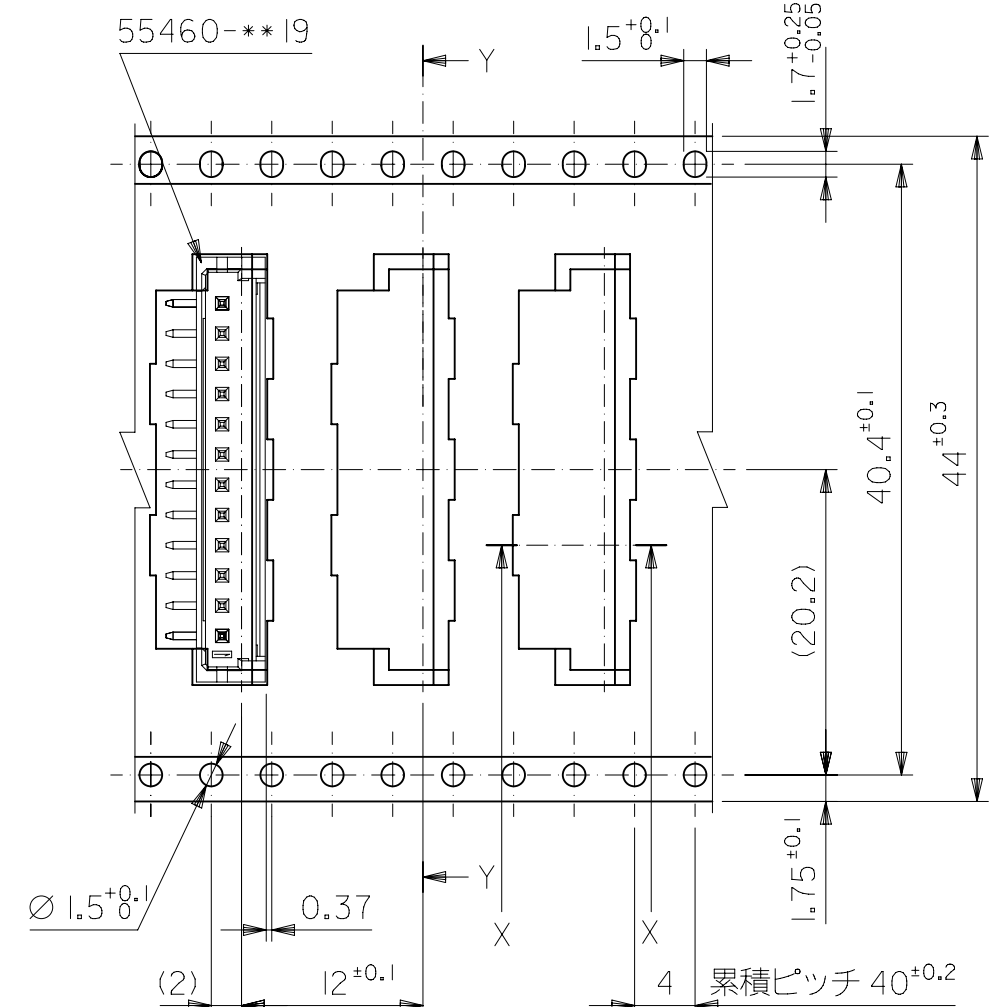
32mm幅キャリアテープ
32mm WIDTH CARRIER TAPE



SECT. Y-Y



SECT. X-X



引き出し方向
PULL OUT DIRECTION

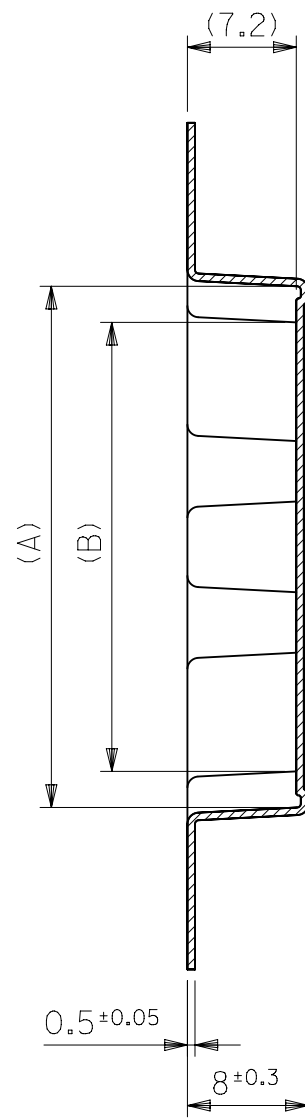
44mm幅キャリアテープ
44mm WIDTH CARRIER TAPE

MATERIAL 材料	SHEET 1 OF 3 参照 SEE SHEET 1 OF 3		GENERAL TOLERANCES: (UNLESS SPECIFIED) 一般公差
FINISH 仕上げ	10 UNDER 未満	±0.2	
	10 OVER 30 UNDER 以上 未満	±0.25	
	30 OVER 以上	±0.3	
WIRE RANGE 適用電線範囲	—//—		ANGLE 角度 ±3°
INS. RANGE 被覆外径	—//—		

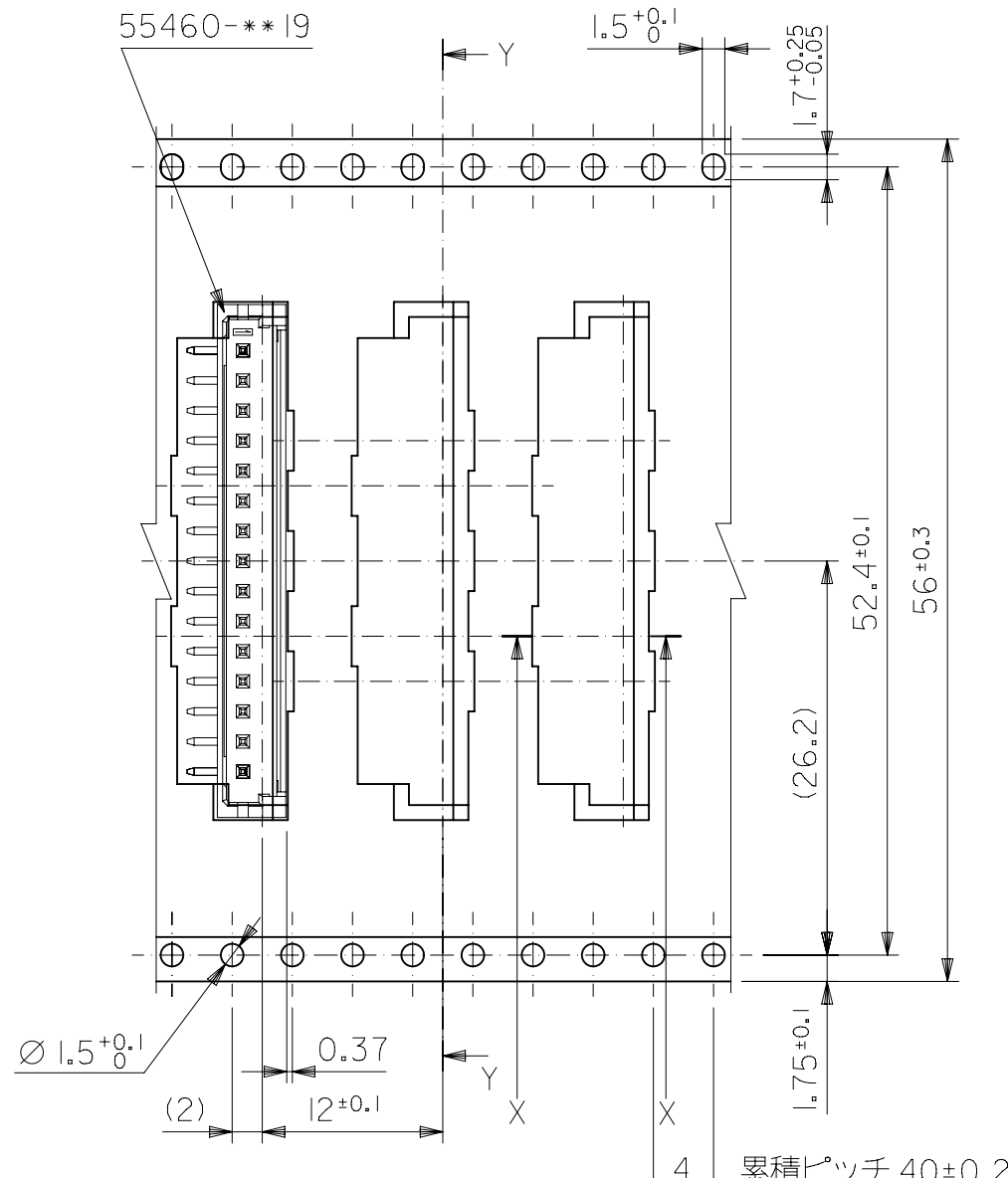
THIS DRAWING CONTAINS INFORMATION THAT IS PROPRIETARY TO MOLEX ELECTRONIC TECHNOLOGIES, LLC AND SHOULD NOT BE USED WITHOUT WRITTEN PERMISSION	
DIMENSION UNITS mm	SCALE NTS
GENERAL TOLERANCES (UNLESS SPECIFIED)	
4 PLACES ±	MM INCH
3 PLACES ±	
2 PLACES ±	
1 PLACE ±	
0 PLACES ±	
ANGULAR TOL ± °	

CURRENT REV DESC: REMOVED OBSOLETE PART NUMBERS AS PER PCN#515990	
EC NO: 836477	2025/10/06
DRWN: SANATK1	2025/10/07
CHKD: GGA	2025/10/07
APPR: GGA	2025/10/07
INITIAL REVISION:	
DRWN: T.UENO	2004/03/29
APPR: M.SASAO	2004/03/29
DRAFT WHERE APPLICABLE MUST REMAIN WITHIN DIMENSIONS	THIRD ANGLE PROJECTION
DRAWING B-SIZE	SERIES 55460

molex			
2.0 W-TO-B CONN. WAFER ASSY EMBSTP PKG -LEAD FREE-			
PRODUCT CUSTOMER DRAWING			
DOCUMENT NUMBER SD-55460-011	DOC TYPE PSD	DOC PART 001	REVISION A1
MATERIAL NUMBER SEE CHART	CUSTOMER GENERAL MARKET	SHEET NUMBER 2 OF 3	



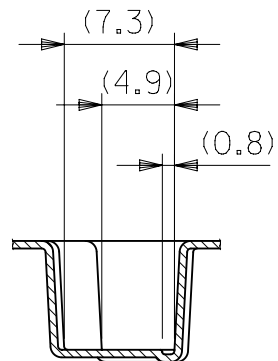
SECT. Y-Y



引き出し方向
PULL OUT DIRECTION

56mm幅キャリアテープ
56mm WIDTH CARRIER TAPE

累積ピッチ 40±0.2
ACCUMULATIVE PITCH 40±0.2



SECT. X-X

MATERIAL 材料	SHEET 1 OF 3 参照 SEE SHEET 1 OF 3	
FINISH 仕上げ	—//—	
WIRE RANGE 適用電線範囲	—//—	
INS. RANGE 被覆外径	—//—	

GENERAL TOLERANCES: (UNLESS SPECIFIED) 一般公差		
10 UNDER 未満		±0.2
10 OVER 以上	30 UNDER 未満	±0.25
30 OVER 以上		±0.3
ANGLE 角度		± 3°

THIS DRAWING CONTAINS INFORMATION THAT IS PROPRIETARY TO MOLEX ELECTRONIC TECHNOLOGIES, LLC AND SHOULD NOT BE USED WITHOUT WRITTEN PERMISSION

DIMENSION UNITS	SCALE	CURRENT REV DESC: REMOVED OBSOLETE PART NUMBERS AS PER PCN#515990		
mm	NTS	molex 2.0 W-TO-B CONN. WAFER ASSY EMBSTP PKG -LEAD FREE- PRODUCT CUSTOMER DRAWING		
GENERAL TOLERANCES (UNLESS SPECIFIED)				
4 PLACES ±	±			
3 PLACES ±	±			
2 PLACES ±	±			
1 PLACE ±	±	EC NO: 836477	2025/10/06	
0 PLACES ±	±	DRWN: SANATK1	2025/10/07	
ANGULAR TOL ± °	± °	CHKD: GGA	2025/10/07	
DRAFT WHERE APPLICABLE MUST REMAIN WITHIN DIMENSIONS		APPR: GGA	2025/10/07	
THIRD ANGLE PROJECTION		INITIAL REVISION:	DOCUMENT NUMBER	
DRAWING		DRWN: T.UENO	SD-55460-011	
SERIES		APPR: M.SASAO	DOC TYPE	
MATERIAL NUMBER		2004/03/29	PSD	
CUSTOMER		2004/03/29	DOC PART	
SEE CHART		B-SIZE	001	
GENERAL MARKET		55460	REVISION	
3 OF 3			A1	