



Single Port 2.0 USB Receptacle

AUSB1-4600



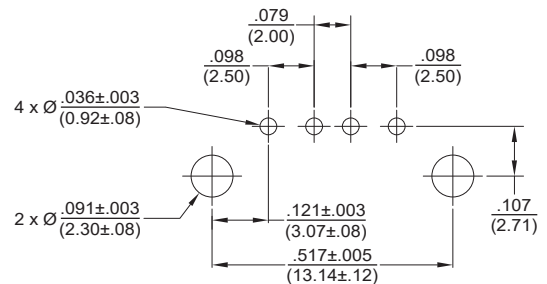
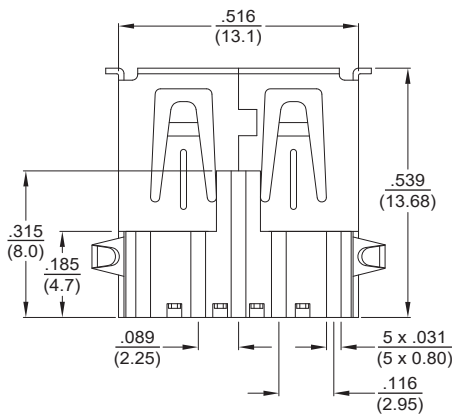
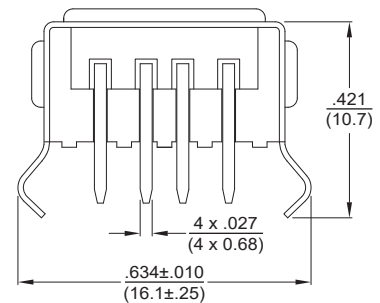
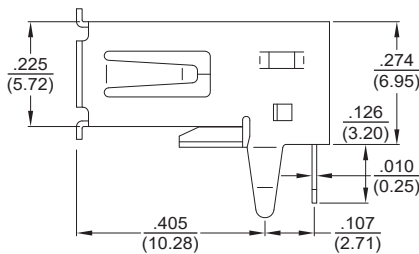
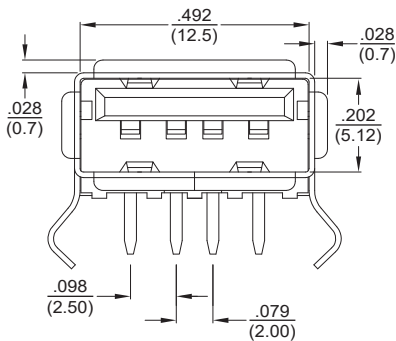
- Single Port 2.0 USB Receptacle
- Industrial Operating Temp. Range: -55°C to +85°C

Electrical Specifications @ 25°C			
Voltage Current Rating @1.5A	Insulation Resistance (mΩ) Max	Contact Resistance (mΩ)	Dielectric Withstanding Voltage
30VAC	1000	30	500VAC

All specifications subject to change without notice.

MECHANICAL

Dimensions: inch
(mm)



Recommended Land Pattern

Tolerance: ±.008(0.20) if not specified

NOTES

1. **Housing:** Thermoplastic, UL94V-0
2. **Contact:** Copper Alloy
3. **Shell:** Steel