

注記
NOTE

- ① 材質および仕上げ(めっき仕様) : TABLE1 参照
MATERIAL AND FINISH: SEE TABLE 1
- ② 製品仕様書 : PS-87437-001
PRODUCT SPECIFICATION : PS-87437-001
- ③ 製品取扱説明書 : 874370000-AS
APPLICATION SPECIFICATION : 874370000-AS
- ④ テール平坦度 : 0.1以下
TAIL COPLANARITY TO BE 0.1 MAX.
- ⑤ 嵌合相手 : 87439シリーズ (リセプタクルハウジング), 87421シリーズ (圧着端子)
MATE WITH 87439 SERIES (RECEPTACLE HOUSING) AND 87421 SERIES (CRIMP TERMINAL).
- ⑥ 本製品は錫めっき品である。金めっき品は202705シリーズを参照。
THIS PRODUCT IS TIN PLATING.
FOR GOLD PLATING, REFER TO 202705 SERIES.

21.2	22.8	21.0	23.8	15
19.7	21.3	19.5	22.3	14
18.2	19.8	18.0	20.8	13
16.7	18.3	16.5	19.3	12
15.2	16.8	15.0	17.8	11
13.7	15.3	13.5	16.3	10
12.2	13.8	12.0	14.8	9
10.7	12.3	10.5	13.3	8
9.2	10.8	9.0	11.8	7
7.7	9.3	7.5	10.3	6
6.2	7.8	6.0	8.8	5
4.7	6.3	4.5	7.3	4
3.2	4.8	3.0	5.8	3
1.7	3.3	1.5	4.3	2
D	C	B	A	極数 CIRCUIT SIZE

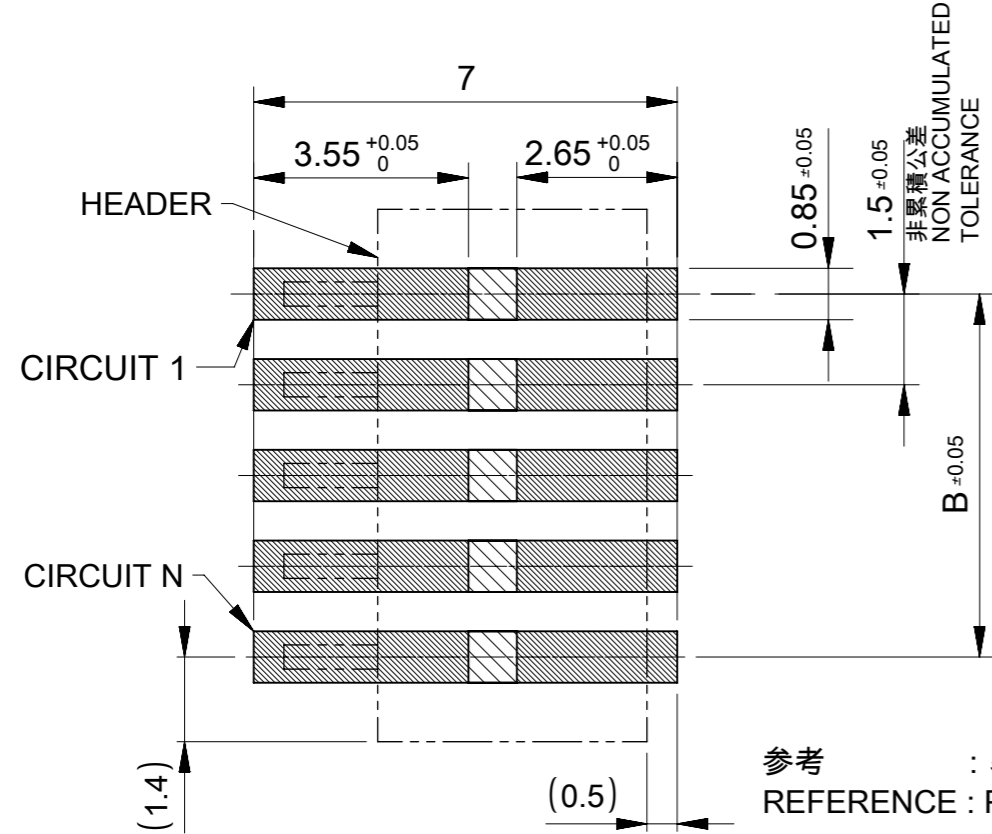
① TABLE1

番号 No.	部品 PART	材質 MATERIAL	
①	ハウジング HOUSING	ナイロン, UL94-V0, 色 : 自然色(ベージュ) / 黒 NYLON (PA), UL94-V0, COLOR : NATURAL(BEIGE) / BLACK	
②	キャップ CAP	ナイロン, UL94-V0, 色 : ベージュ NYLON (PA), UL94-V0, COLOR : BEIGE	
③	ターミナル TERMINAL	材料 MATERIAL	黄銅 BRASS
		下地めっき UNDER PLATING	ニッケルめっき 1.27マイクロメートル以上 NICKEL PLATING 1.27micro-meter MIN
		接点部、テール CONTACT AND TAIL	無光沢錫めっき 2.54マイクロメートル以上 MATTE TIN PLATING 2.54 micro-meter MIN
DOCUMENT STATUS	P1	RELEASE DATE	2026/03/05 07:06:55

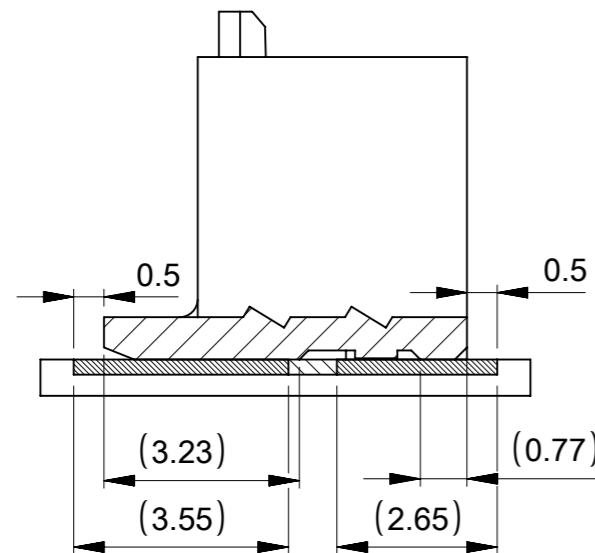
THIS DRAWING CONTAINS INFORMATION THAT IS PROPRIETARY TO MOLEX ELECTRONIC TECHNOLOGIES, LLC AND SHOULD NOT BE USED WITHOUT WRITTEN PERMISSION

DIMENSION UNITS mm	SCALE NTS	CURRENT REV DESC: REMOVED OBSOLETE PART NUMBERS AS PER PCN#517919	molex		
GENERAL TOLERANCES (UNLESS SPECIFIED)		EC NO: 849128			
ANGULAR TOL	± 3.0°	DRWN: RAGHAH3	PRODUCT CUSTOMER DRAWING		
4 PLACES	± 0.2	CHK'D: GGA	DOCUMENT NUMBER		
3 PLACES	± 0.2	APPR: GGA	DOC TYPE DOC PART REVISION		
2 PLACES	± 0.2	INITIAL REVISION:	874370231-SD		
1 PLACE	± 0.2	DRWN: RTANAKA02	PSD 000 B2		
0 PLACES	± 0.2	APPR: SAKIYAMA	SHEET NUMBER		
DRAFT WHERE APPLICABLE MUST REMAIN WITHIN DIMENSIONS	THIRD ANGLE PROJECTION	DRAWING	SERIES	MATERIAL NUMBER	CUSTOMER
		A3-SIZE	87437	SEE SHEET 5	GENERAL

推奨基板レイアウト
RECOMMENDED PCB LAYOUT



参考 : 基板厚 1.0mm
REFERENCE : PCB THICKNESS 1.0mm
メタルマスク厚 0.12mm
STENCIL THICKNESS 0.12mm
マスク開口率100%
APERTURE RATIO 100%.

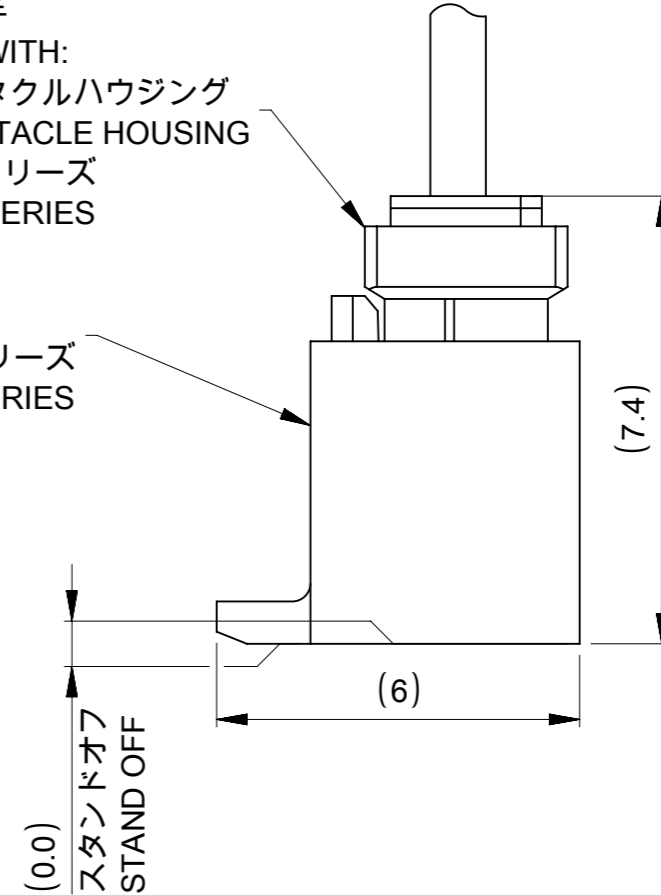


- : 半田エリア (パターンエリア)
SOLDER AREA (COPPER ZONE)
- : 半田禁止エリア (パターン禁止エリア)
SOLDER KEEP OUT AREA (NO-COPPER ZONE)
半田上がりを防ぐため。
TO PREVENT SOLDER LIFTING.
レジストによって分離する場合は、パターン面よりも盛り上がらないこと。
IF APPLY RESIST IN THIS AREA, LEVEL AS PATTERN AREA FACE.

5 嵌合図
MATED CONNECTORS

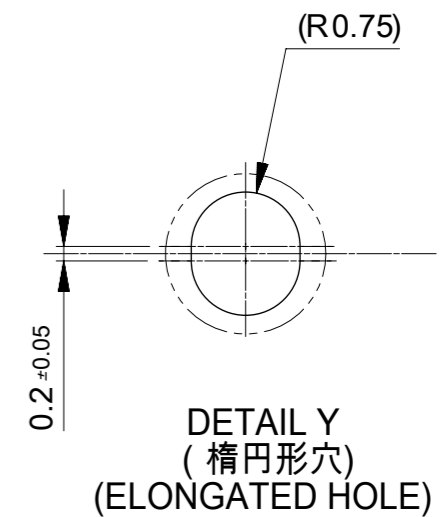
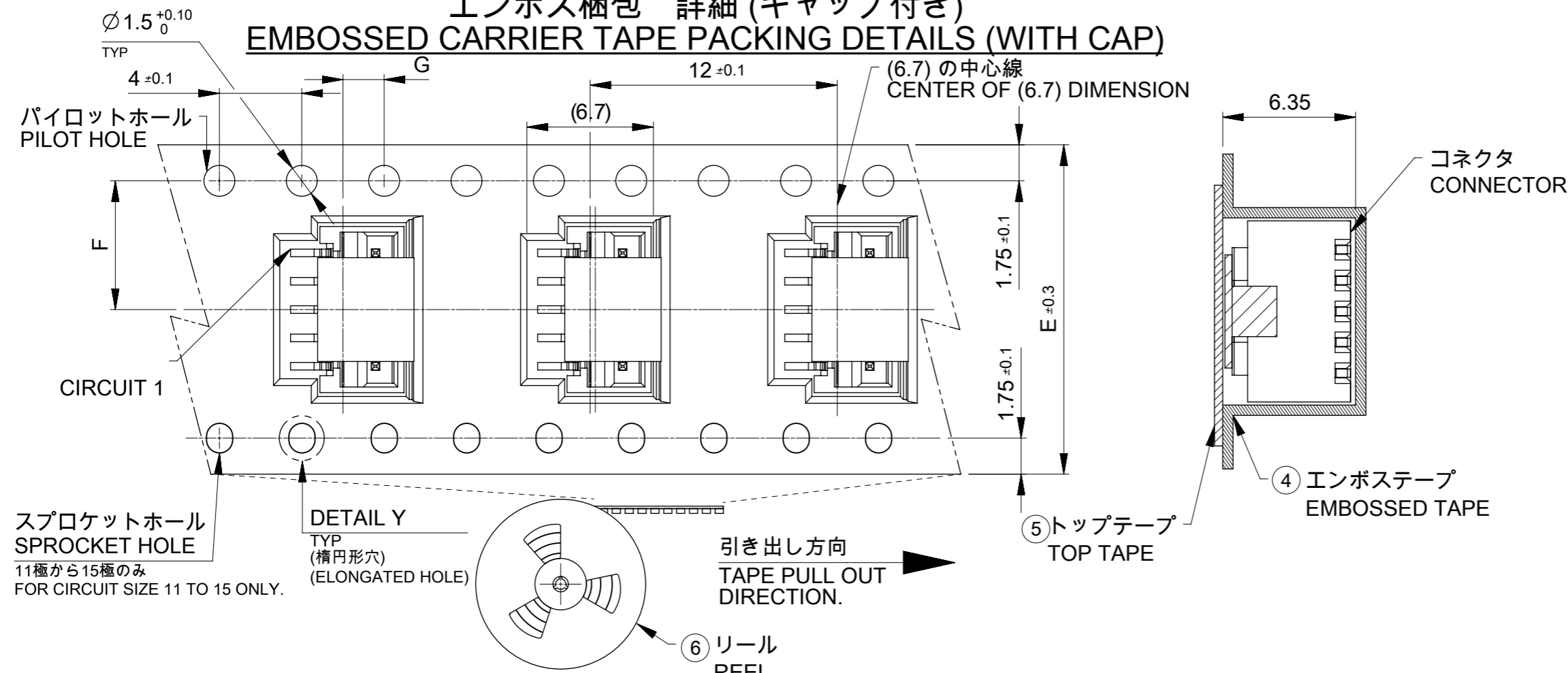
嵌合相手
MATE WITH:
レセプタクルハウジング
RECEPTACLE HOUSING
87439シリーズ
87439 SERIES

ヘッダー
HEADER
87437シリーズ
87437 SERIES



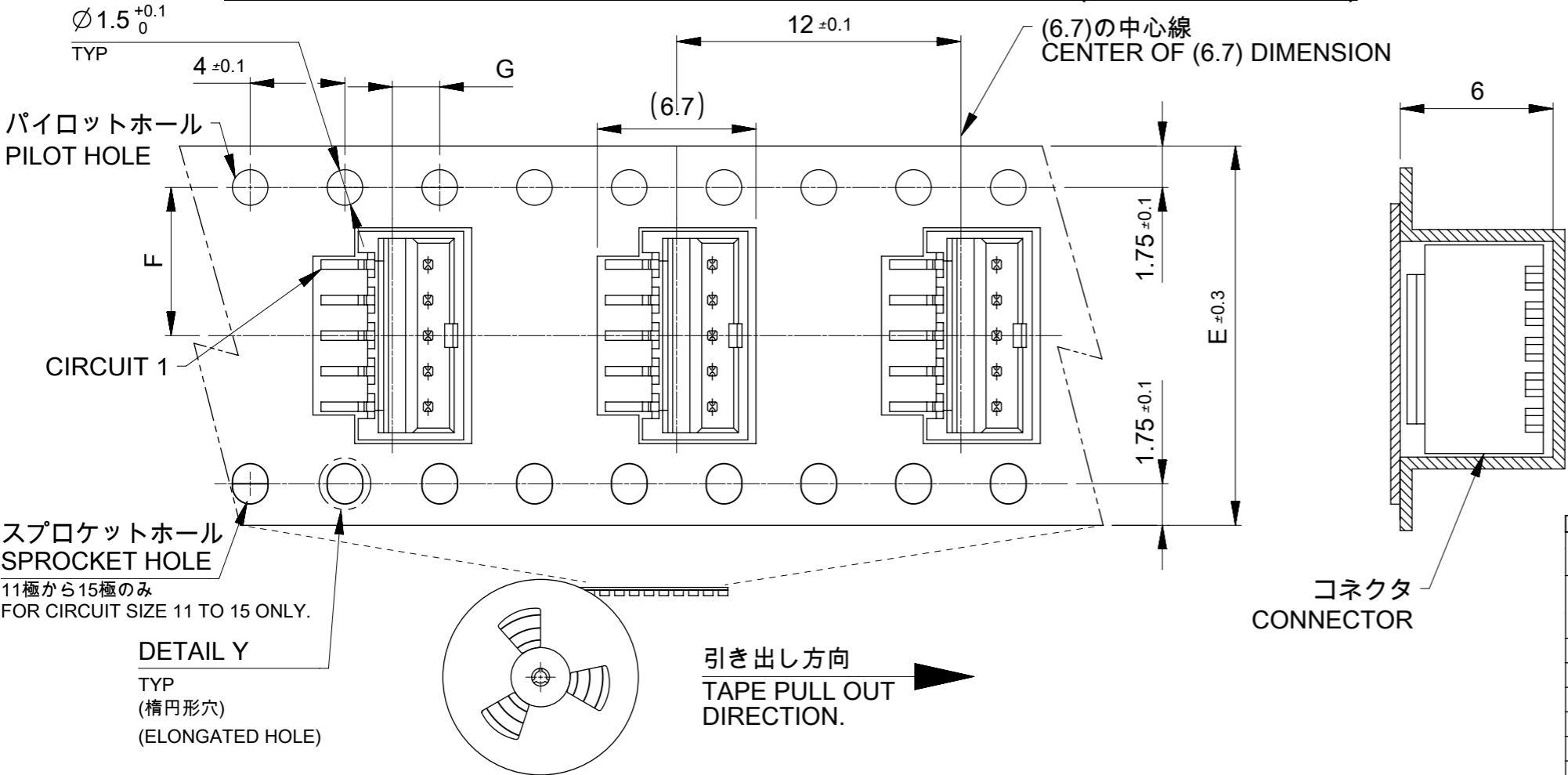
THIS DRAWING CONTAINS INFORMATION THAT IS PROPRIETARY TO MOLEX ELECTRONIC TECHNOLOGIES, LLC AND SHOULD NOT BE USED WITHOUT WRITTEN PERMISSION										
DIMENSION UNITS	SCALE	CURRENT REV DESC: REMOVED OBSOLETE PART NUMBERS AS PER PCN#517919			molex					
mm	NTS									
GENERAL TOLERANCES (UNLESS SPECIFIED)					PICO-SPOX 1.5 W/B CONN VERTICAL HEADER ASSY (SMT TIN PLATING VERSION)					
ANGULAR TOL ± 3.0°					PRODUCT CUSTOMER DRAWING					
4 PLACES	± 0.2	EC NO: 849128			DOCUMENT NUMBER					
3 PLACES	± 0.2	DRWN: RAGHAH3	2026/03/02		874370231-SD					
2 PLACES	± 0.2	CHK'D: GGA	2026/03/05		PSD 000 B2					
1 PLACE	± 0.2	APPR: GGA	2026/03/05		REVISION					
0 PLACES	± 0.2	INITIAL REVISION:			SHEET NUMBER					
DRAFT WHERE APPLICABLE MUST REMAIN WITHIN DIMENSIONS		THIRD ANGLE PROJECTION			DRAWING		SERIES		CUSTOMER	
					A3-SIZE		87437		GENERAL	
					MATERIAL NUMBER		SEE SHEET 5		2 OF 5	

エンボス梱包 詳細 (キャップ付き) EMBOSSED CARRIER TAPE PACKING DETAILS (WITH CAP)



番号 NO.	部品 PART	材質 MATERIAL
④	エンボステープ EMBOSSED TAPE	ポリスチレン POLYSTYRENE (PS)
⑤	トップテープ TOP TAPE	ポリエチレン POLYETHYLENE (PE)
⑥	リール REEL	ポリスチレン POLYSTYRENE (PS)

エンボス梱包 詳細 (キャップなし) EMBOSSED CARRIER TAPE PACKING DETAILS (WITHOUT CAP)

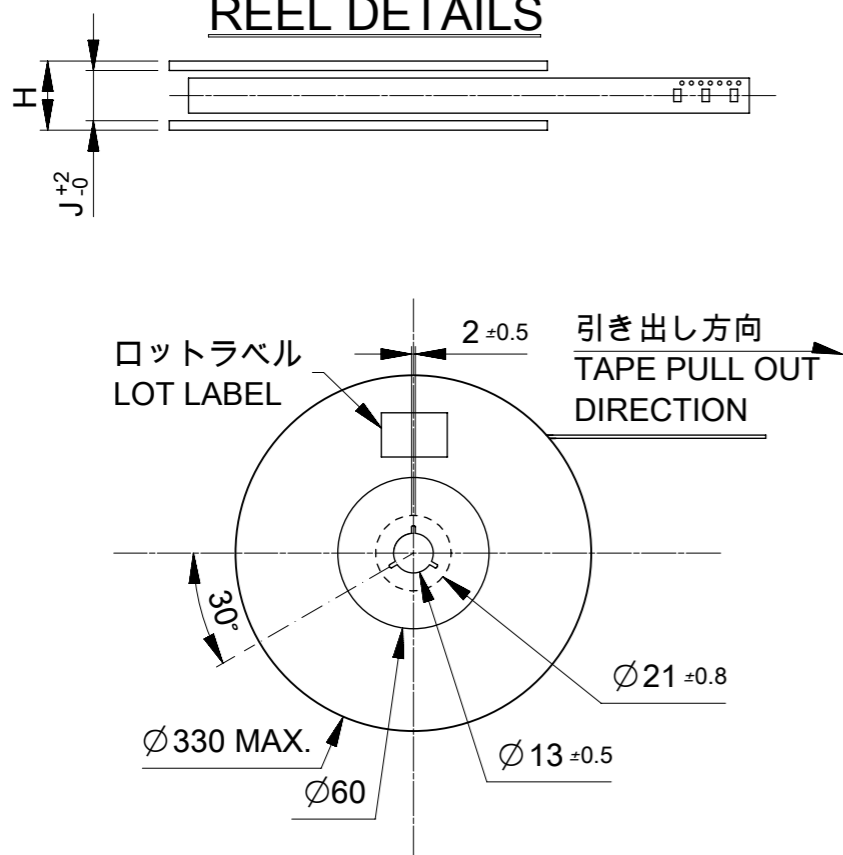


2 ±0.15	20.2 ±0.15	44	15
2 ±0.1	14.2 ±0.1	32	14
			13
			12
			11
			10
	11.5 ±0.1	24	9
			8
			7
			6
			5
7.5 ±0.1	16	4	
		3	
		2	
		極数 CIRCUIT SIZE	
G	F	E	

THIS DRAWING CONTAINS INFORMATION THAT IS PROPRIETARY TO MOLEX ELECTRONIC TECHNOLOGIES, LLC AND SHOULD NOT BE USED WITHOUT WRITTEN PERMISSION

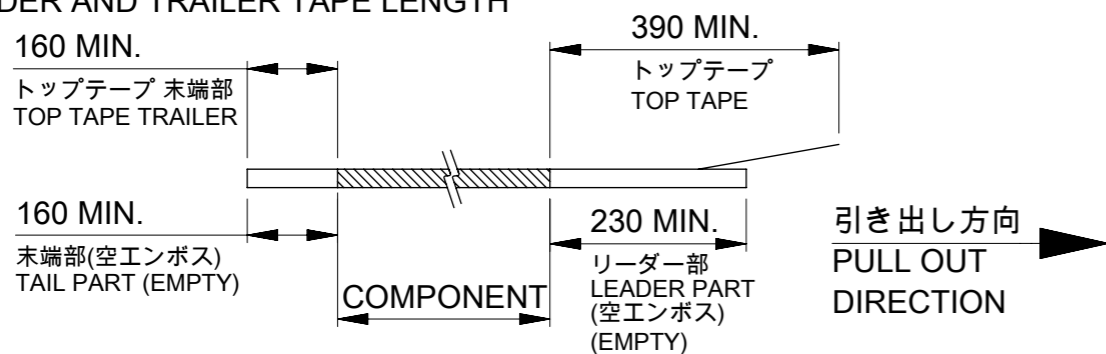
DIMENSION UNITS mm	SCALE NTS	CURRENT REV DESC: REMOVED OBSOLETE PART NUMBERS AS PER PCN#517919	molex		
GENERAL TOLERANCES (UNLESS SPECIFIED)		EC NO: 849128			
ANGULAR TOL ± 3.0°	4 PLACES ± 0.2	DRWN: RAGHAH3	2026/03/02		
3 PLACES ± 0.2	2 PLACES ± 0.2	CHK'D: GGA	2026/03/05		
1 PLACE ± 0.2	0 PLACES ± 0.2	APPR: GGA	2026/03/05		
DRAFT WHERE APPLICABLE MUST REMAIN WITHIN DIMENSIONS		INITIAL REVISION:	PRODUCT CUSTOMER DRAWING		
THIRD ANGLE PROJECTION		DRWN: RTANAKA02	DOCUMENT NUMBER		
DRAWING		APPR: SAKIYAMA	DOC TYPE DOC PART REVISION		
SERIES		2018/11/21	874370231-SD		
MATERIAL NUMBER		2019/04/26	PSD 000 B2		
CUSTOMER		A3-SIZE	SEE SHEET 5		
SHEET NUMBER		87437	GENERAL		
			3 OF 5		

リール 詳細 REEL DETAILS

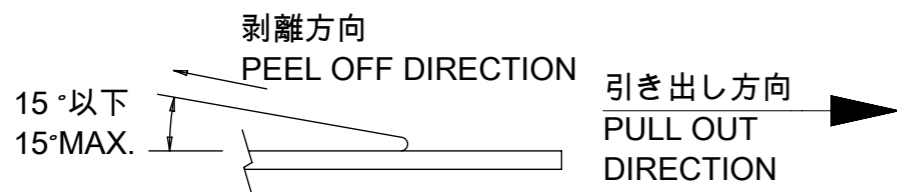


注記 NOTE

7. リーダー部および末端部テープ長さ LEADER AND TRAILER TAPE LENGTH



8. トップテープの剥離強度 : IEC60286-3に準拠。 PEELING OFF FORCE OF THE TOP TAPE: DEFINED IEC60286-3. (剥離方向は下図を参照) (PEELING DIRECTION AS SHOWN IN FOLLOWING FIGURE)



9. EIA-481に準拠する。 PACKAGING STANDARD IS AS PER EIA-481.

10. 梱包数量 TAPE & REEL QUANTITY キャップ付き : 900個/リール WITH CAP : 900PCS/REEL キャップなし : 1000個/リール WITHOUT CAP : 1000PCS/REEL

11. 本製品は乾燥剤入りハイバリア梱包での納品となる。 THIS PRODUCT IS DELIVERED IN A HIGH BARRIER PACKAGE WITH DESICCANT.

12. 梱包仕様書 : SPK-87437-001 PACKING INFORMATION : SPK-87437-001

44.4	50.4	15
32.4	38.4	14
		13
		12
24.4	30.4	11
		10
		9
16.4	22.4	8
		7
		6
J	H MAX	5
		4
		3
		2
		極数 CIRCUIT SIZE

THIS DRAWING CONTAINS INFORMATION THAT IS PROPRIETARY TO MOLEX ELECTRONIC TECHNOLOGIES, LLC AND SHOULD NOT BE USED WITHOUT WRITTEN PERMISSION									
DIMENSION UNITS	SCALE	CURRENT REV DESC: REMOVED OBSOLETE PART NUMBERS AS PER PCN#517919							
mm	NTS								
GENERAL TOLERANCES (UNLESS SPECIFIED)									
ANGULAR TOL	± 3.0 °	PICO-SPOX 1.5 W/B CONN VERTICAL HEADER ASSY (SMT TIN PLATING VERSION)							
4 PLACES	± 0.2	PRODUCT CUSTOMER DRAWING							
3 PLACES	± 0.2	DOCUMENT NUMBER							
2 PLACES	± 0.2	874370231-SD							
1 PLACE	± 0.2	DOC TYPE							
0 PLACES	± 0.2	PSD							
DRAFT WHERE APPLICABLE MUST REMAIN WITHIN DIMENSIONS		THIRD ANGLE PROJECTION		DRAWING	SERIES	MATERIAL NUMBER	CUSTOMER	DOC PART	REVISION
				A3-SIZE	87437	SEE SHEET 5	GENERAL	000	B2
									4 OF 5

発注番号
ORDER NUMBER
87437 * * * 3

極数 CIRCUIT SIZE
02 から 15 02 TO 15

ハウジングカラー, キャップオプション HOUSING COLOR AND CAP OPTION
4: ハウジングカラー : ベージュ, キャップ無 BEIGE COLOR HOUSING WITHOUT CAP
5: ハウジングカラー : 黒, キャップ無 BLACK COLOR HOUSING WITHOUT CAP
6: ハウジングカラー : 黒, キャップ有 BLACK COLOR HOUSING WITH CAP
7: ハウジングカラー : ベージュ, キャップ有 BEIGE COLOR HOUSING WITH CAP

有 WITH		無 WITHOUT	キャップ CAP
黒 BLACK	ベージュ BEIGE	ベージュ BEIGE	ハウジングカ ラー HOUSING COLOR
---	874371573	874371543	15
---	874371473	874371443	14
---	874371373	874371343	13
---	874371273	874371243	12
---	874371173	874371143	11
874371063	874371073	874371043	10
874370963	874370973	874370943	9
874370863	874370873	874370843	8
874370763	874370773	874370743	7
874370663	874370673	874370643	6
874370563	874370573	874370543	5
874370463	874370473	874370443	4
874370363	874370373	874370343	3
874370263	874370273	874370243	2
発注番号 ORDER NUMBER			極数 CIRCUIT SIZE
梱包形態 : エンボステープ梱包 PACKAGING STYLE : EMBOSSED TAPE AND REEL			

THIS DRAWING CONTAINS INFORMATION THAT IS PROPRIETARY TO MOLEX ELECTRONIC TECHNOLOGIES, LLC AND SHOULD NOT BE USED WITHOUT WRITTEN PERMISSION									
DIMENSION UNITS mm	SCALE NTS	CURRENT REV DESC: REMOVED OBSOLETE PART NUMBERS AS PER PCN#517919			molex				
GENERAL TOLERANCES (UNLESS SPECIFIED)		EC NO: 849128 DRWN: RAGHAH3 2026/03/02 CHK'D: GGA 2026/03/05 APPR: GGA 2026/03/05							
ANGULAR TOL ± 3.0 °	INITIAL REVISION:		DOCUMENT NUMBER		DOC TYPE	DOC PART	REVISION		
4 PLACES ± 0.2	DRWN: RTANAKA02 2018/11/21		874370231-SD		PSD	000	B2		
3 PLACES ± 0.2	APPR: SAKIYAMA 2019/04/26		MATERIAL NUMBER		CUSTOMER		SHEET NUMBER		
2 PLACES ± 0.2	DRAFT WHERE APPLICABLE MUST REMAIN WITHIN DIMENSIONS		THIRD ANGLE PROJECTION	DRAWING	SERIES	SEE CHART		GENERAL	5 OF 5
1 PLACE ± 0.2				A3-SIZE	87437				
0 PLACES ± 0.2									