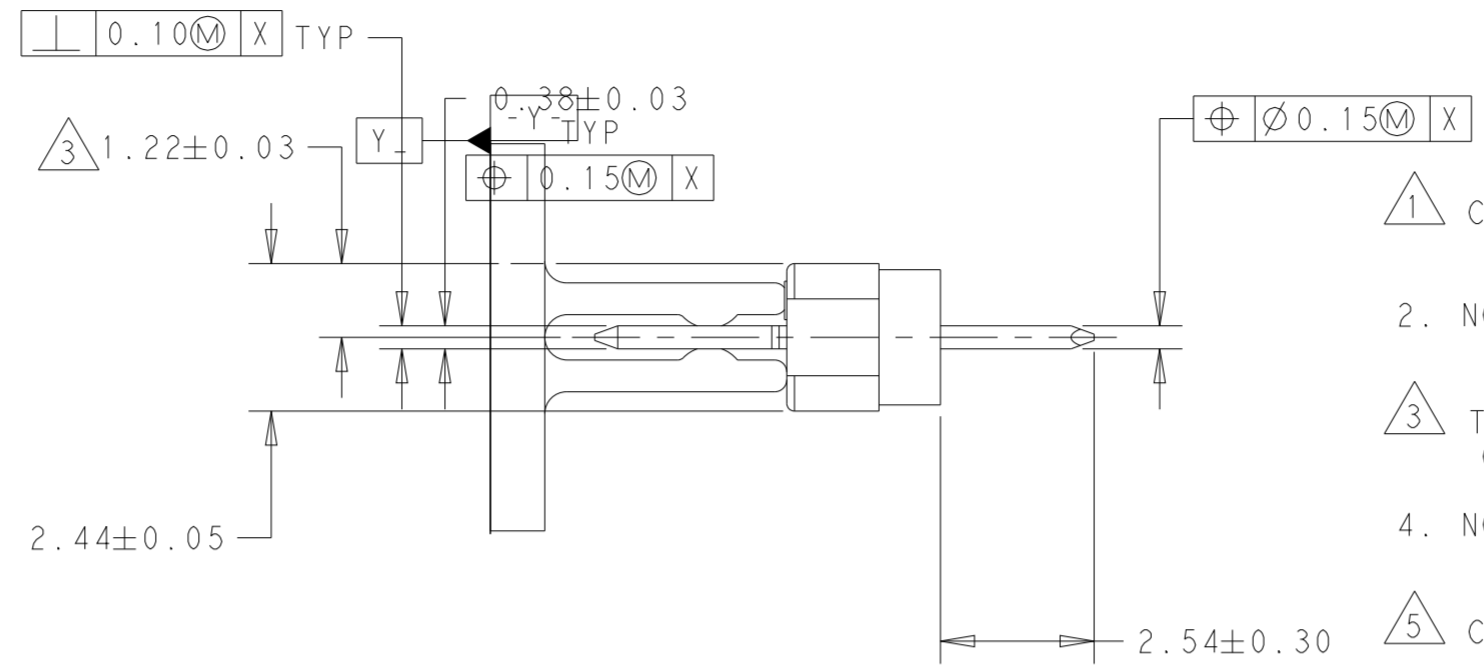
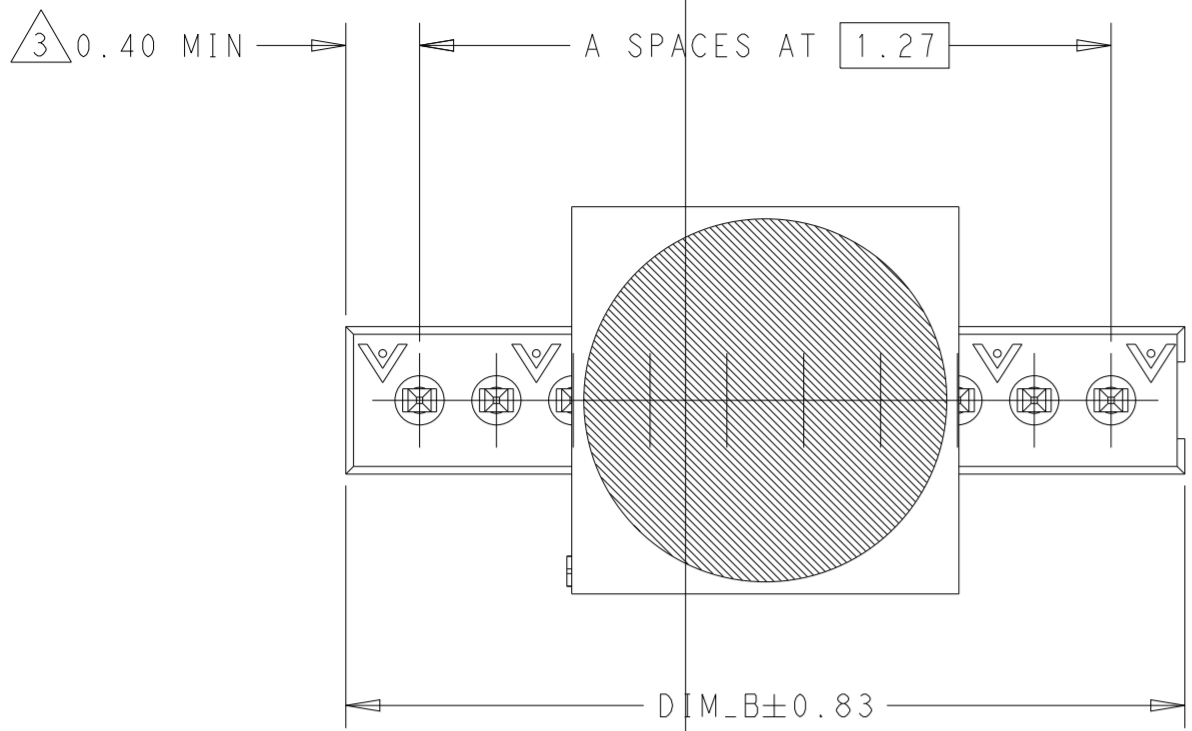
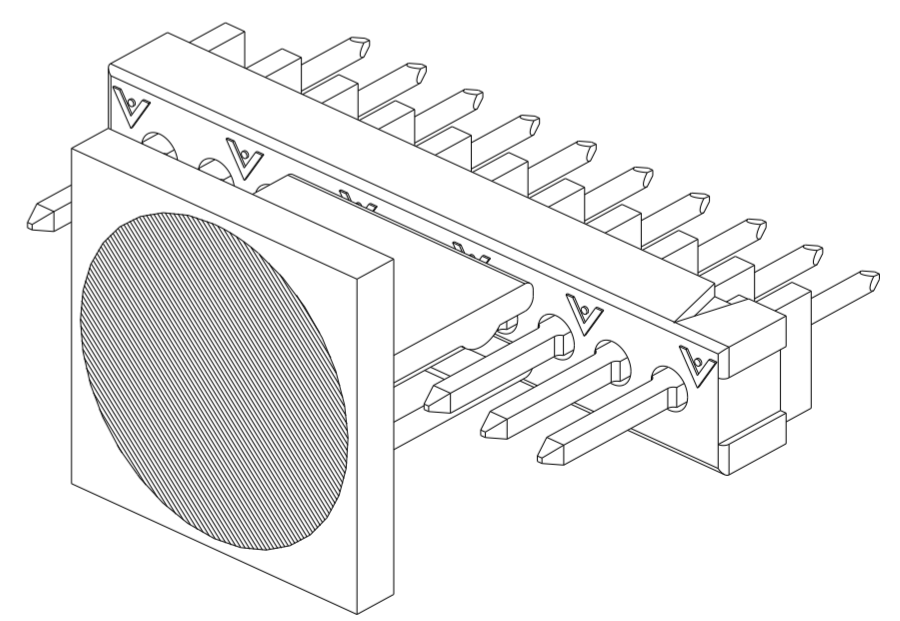
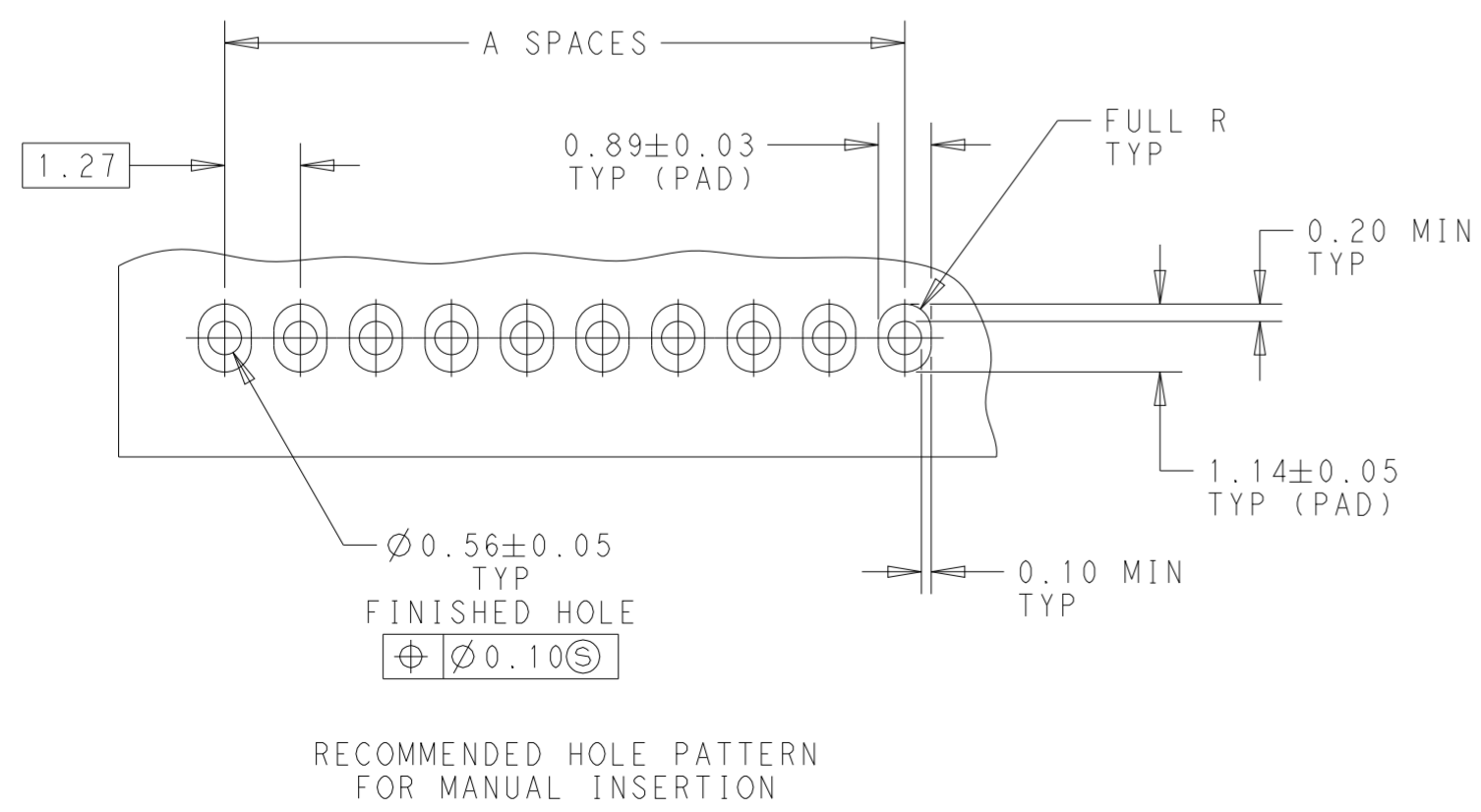
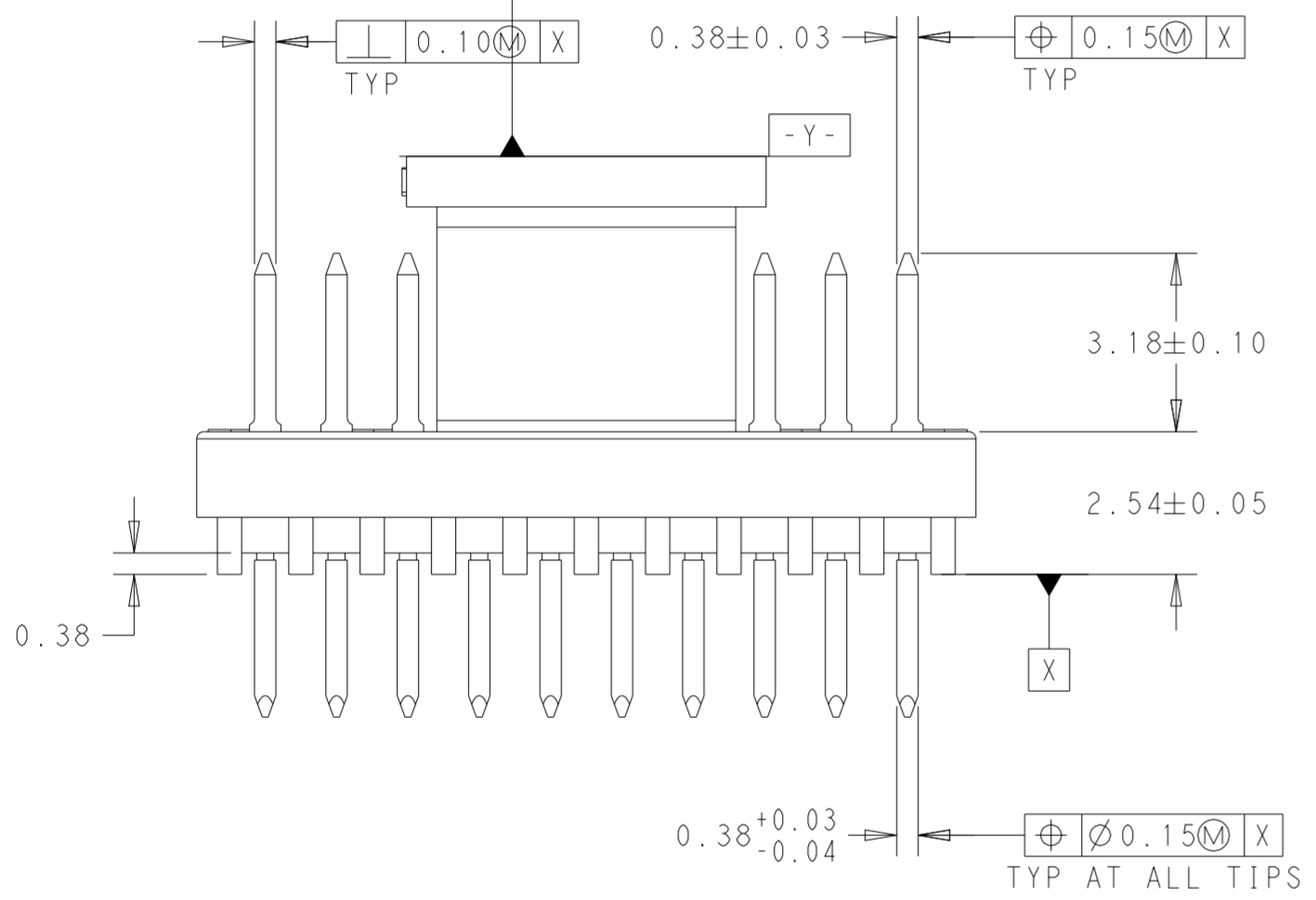


THIS DRAWING IS UNPUBLISHED. RELEASED FOR PUBLICATION 20
 © COPYRIGHT 20 BY - ALL RIGHTS RESERVED.

| REVISIONS | | | | | |
|-----------|-----|-----------------------------------|-----------|-----|------|
| P | LTR | DESCRIPTION | DATE | DWN | APVD |
| M2 | | REDRAWN/REVISED PER ECO-17-001756 | 07DEC2017 | KS | JO |
| N1 | | PN OBSOLETE | 03JAN2026 | KS | PS |



- 1 CONTACT AREAS PLATED WITH 0.76µm GOLD; SOLDER TAILS PLATED WITH 3.81µm MIN TIN-LEAD; ALL OVER 1.27µm MIN NICKEL.
- 2. NOTE DELETED.
- 3 THE NOTED DIMENSIONS APPLY AT THE INTERSECTION OF THE POST AND HOUSING.
- 4. NOTE DELETED.
- 5 CONTACT AREAS PLATED WITH 0.76µm GOLD; SOLDER TAILS PLATED WITH 3.81µm MIN TIN; ALL OVER 1.27µm MIN NICKEL.
- 6 FINISH: 0.03µm MIN GOLD ON GOLD PLATED AREA, 3.81µm MATTE TIN-LEAD ON TIN PLATED AREA. UNDER PLATING SHOULD BE 1.27µm NICKEL ON ENTIRE CONTACT. GOLD AND TIN PLATING MAY NOT OVERLAP.
- 7 FINISH: 0.03µm MIN GOLD ON GOLD PLATED AREA, 3.81µm MATTE TIN ON TIN PLATED AREA. UNDER PLATING SHOULD BE 1.27µm NICKEL ON ENTIRE CONTACT. GOLD AND TIN PLATING MAY NOT OVERLAP.
- 8. NOTE DELETED.
- 9. NOTE DELETED.
- 10. NOTE DELETED.
- 11 MATERIAL: HOUSING-LCP, COLOR-BLACK
CONTACT-COPPER ALLOY



| | | | | |
|--|--|----------------------------------|---|-----------------------|
| THIS DRAWING IS A CONTROLLED DOCUMENT. | | DWN K. SHRISHALL 07DEC2017 | TE Connectivity | |
| DIMENSIONS: mm | | CHK J. OLSON 07DEC2017 | | |
| TOLERANCES UNLESS OTHERWISE SPECIFIED: | | APVD J. OLSON 07DEC2017 | NAME HEADER ASSEMBLY, VERTICAL, UNSHROUDED, SINGLE ROW, AMPMODU System 50 | |
| 0 PLC ± 1 PLC ±0.3 2 PLC ±0.13 3 PLC ± 4 PLC ± | | PRODUCT SPEC 108-1093 | APPLICATION SPEC - | |
| ANGLES ± FINISH ±0.5° | | 114-25031 | SIZE A200779 | CAGE CODE C-104178 |
| MATERIAL 11 SEE TABLE | | WEIGHT - | DRAWING NO - | |
| | | CUSTOMER DRAWING | SCALE 8:1 | SHEET 1 OF 2 |
| | | | | REV N1 |

THIS DRAWING IS UNPUBLISHED. RELEASED FOR PUBLICATION 20
 © COPYRIGHT 20 BY - ALL RIGHTS RESERVED.

| REVISIONS | | | | |
|-----------|-----|-------------|------|------|
| P | LTR | DESCRIPTION | DATE | APVD |
| - | - | SEE SHEET 1 | - | - |
| | | | | |
| | | | | |

| | | | | |
|--------|----------|----------|------------|-----------------------|
| 7 | 33.40 | 25 | 26 | 9-104178-0 |
| | 63.88 | 49 | 50 | 8-104178-9 |
| | 57.53 | 44 | 45 | 8-104178-8 |
| | 51.18 | 39 | 40 | 8-104178-7 |
| | 44.83 | 34 | 35 | 8-104178-6 |
| | 38.48 | 29 | 30 | 8-104178-5 |
| | 34.67 | 26 | 27 | 8-104178-4 |
| | 32.13 | 24 | 25 | 8-104178-3 |
| | 28.32 | 21 | 22 | 8-104178-2 |
| | 25.78 | 19 | 20 | 8-104178-1 |
| | 21.97 | 16 | 17 | 8-104178-0 |
| | 19.43 | 14 | 15 | 7-104178-9 |
| | 16.89 | 12 | 13 | 7-104178-8 |
| | 15.62 | 11 | 12 | 7-104178-7 |
| | 13.08 | 9 | 10 | 7-104178-6 |
| | 10.54 | 7 | 8 | 7-104178-5 |
| | OBSOLETE | 9.27 | 6 | 7 |
| 8.00 | 5 | 6 | 7 | 7-104178-3 |
| 6.73 | 4 | 5 | 7 | 7-104178-2 |
| 5.46 | 3 | 4 | 7 | 7-104178-1 |
| 5 | 33.40 | 25 | 26 | 7-104178-0 |
| | 63.88 | 49 | 50 | 6-104178-9 |
| | 57.53 | 44 | 45 | 6-104178-8 |
| | 51.18 | 39 | 40 | 6-104178-7 |
| | 44.83 | 34 | 35 | 6-104178-6 |
| | 38.48 | 29 | 30 | 6-104178-5 |
| | 34.67 | 26 | 27 | 6-104178-4 |
| | 32.13 | 24 | 25 | 6-104178-3 |
| | 28.32 | 21 | 22 | 6-104178-2 |
| | 25.78 | 19 | 20 | 6-104178-1 |
| | 21.97 | 16 | 17 | 6-104178-0 |
| | 19.43 | 14 | 15 | 5-104178-9 |
| | 16.89 | 12 | 13 | 5-104178-8 |
| | 15.62 | 11 | 12 | 5-104178-7 |
| | 13.08 | 9 | 10 | 5-104178-6 |
| | 10.54 | 7 | 8 | 5-104178-5 |
| | 9.27 | 6 | 7 | 5-104178-4 |
| 8.00 | 5 | 6 | 5-104178-3 | |
| 6.73 | 4 | 5 | 5-104178-2 | |
| 5.46 | 3 | 4 | 5-104178-1 | |
| FINISH | DIM_B | A SPACES | NO OF POSN | PART NUMBER |

| | | | | |
|--------|-------|----------|------------|-------------|
| 6 | 33.40 | 25 | 26 | 4-104178-0 |
| | 63.88 | 49 | 50 | 3-104178-9 |
| | 57.53 | 44 | 45 | 3-104178-8 |
| | 51.18 | 39 | 40 | 3-104178-7 |
| | 44.83 | 34 | 35 | 3-104178-6 |
| | 38.48 | 29 | 30 | 3-104178-5 |
| | 34.67 | 26 | 27 | 3-104178-4 |
| | 32.13 | 24 | 25 | 3-104178-3 |
| | 28.32 | 21 | 22 | 3-104178-2 |
| | 25.78 | 19 | 20 | 3-104178-1 |
| | 21.97 | 16 | 17 | 3-104178-0 |
| | 19.43 | 14 | 15 | 2-104178-9 |
| | 16.89 | 12 | 13 | 2-104178-8 |
| | 15.62 | 11 | 12 | 2-104178-7 |
| | 13.08 | 9 | 10 | 2-104178-6 |
| | 10.54 | 7 | 8 | 2-104178-5 |
| | 9.27 | 6 | 7 | 2-104178-4 |
| 8.00 | 5 | 6 | 2-104178-3 | |
| 6.73 | 4 | 5 | 2-104178-2 | |
| 5.46 | 3 | 4 | 2-104178-1 | |
| 1 | 33.40 | 25 | 26 | 2-104178-0 |
| | 63.88 | 49 | 50 | 1-104178-9 |
| | 57.53 | 44 | 45 | 1-104178-8 |
| | 51.18 | 39 | 40 | 1-104178-7 |
| | 44.83 | 34 | 35 | 1-104178-6 |
| | 38.48 | 29 | 30 | 1-104178-5 |
| | 34.67 | 26 | 27 | 1-104178-4 |
| | 32.13 | 24 | 25 | 1-104178-3 |
| | 28.32 | 21 | 22 | 1-104178-2 |
| | 25.78 | 19 | 20 | 1-104178-1 |
| | 21.97 | 16 | 17 | 1-104178-0 |
| | 19.43 | 14 | 15 | 104178-9 |
| | 16.89 | 12 | 13 | 104178-8 |
| | 15.62 | 11 | 12 | 104178-7 |
| | 13.08 | 9 | 10 | 104178-6 |
| | 10.54 | 7 | 8 | 104178-5 |
| | 9.27 | 6 | 7 | 104178-4 |
| 8.00 | 5 | 6 | 104178-3 | |
| 6.73 | 4 | 5 | 104178-2 | |
| 5.46 | 3 | 4 | 104178-1 | |
| FINISH | DIM_B | A SPACES | NO OF POSN | PART NUMBER |

| | | | |
|--|--|----------------------------------|---|
| THIS DRAWING IS A CONTROLLED DOCUMENT. | | DWN K. SHRISHALL 07DEC2017 | STE TE Connectivity |
| DIMENSIONS: mm | | CHK J. OLSON 07DEC2017 | |
| TOLERANCES UNLESS OTHERWISE SPECIFIED: 0 PLC ± 1 PLC ±0.3 2 PLC ±0.13 3 PLC ± 4 PLC ± ANGLES ±0.5° | | APVD J. OLSON 07DEC2017 | NAME HEADER ASSEMBLY, VERTICAL, UNSHROUDED, SINGLE ROW, AMPMODU System 50 |
| MATERIAL SEE TABLE | | PRODUCT SPEC 108-1093 | APPLICATION SPEC 114-25031 |
| | | WEIGHT - | SIZE A200779 |
| | | CUSTOMER DRAWING | DRAWING NO C-104178 |
| | | SCALE 8:1 | RESTRICTED TO SHEET 2 OF 2 REV N1 |