

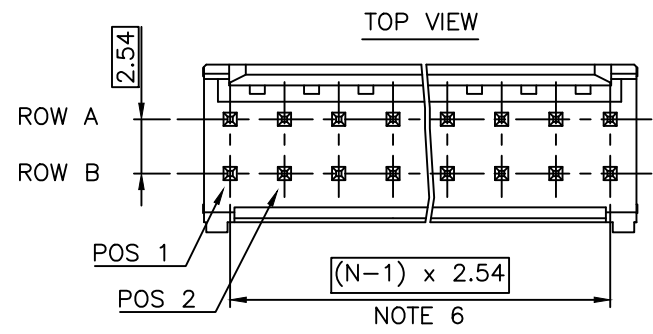
PRODUCT NUMBER
91687-YXXLF

EXTENDED RANGE
 - TOOLING FEASIBILITY CONFIRMED
 - SAMPLES ON DEMAND
 - AVAILABILITY ON DEMAND

PLATING (AS AVAILABLE)
 3=0.76µm GOLD/GXT ON CONTACT AREA
 2 µm MIN MATTE TIN ON TAIL
 1.27µm Ni MIN UNDERPLATING
 4=2µm MIN MATTE TIN FULL PLATED
 1.27µm Ni MIN UNDERPLATING

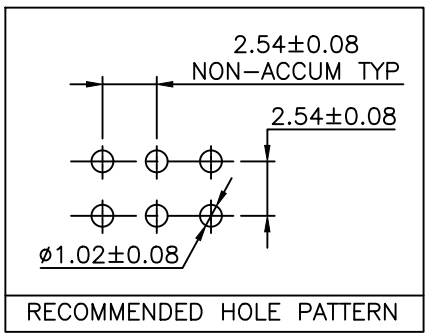
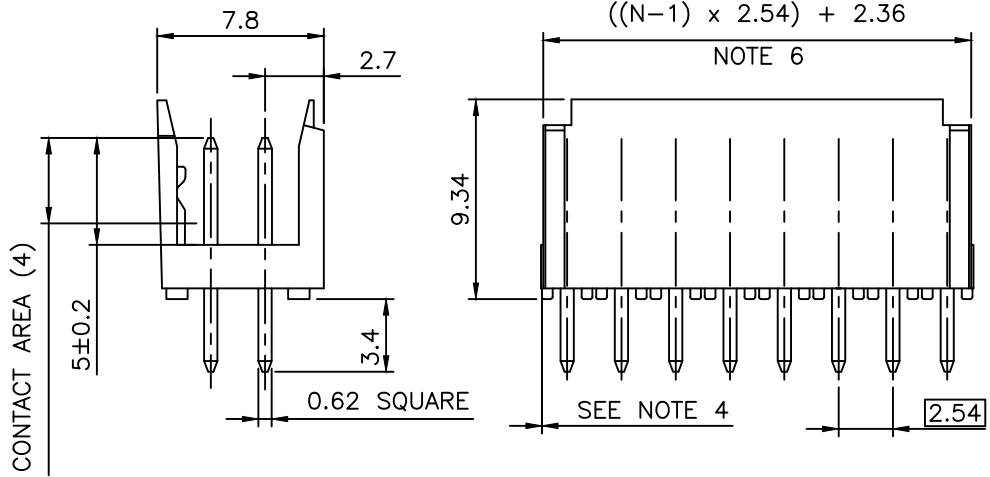
RoHS COMPATIBLE, SEE NOTE 7

NUMBER OF POSITIONS PER ROW: 02 TO 36



NOTES:

- 1 - BODY MATERIAL: POLYESTER 30% GLASSFILLED COLOR BLUE, FLAME RETARDANT PER UL-94 V0.
- 2 - CONTACT MATERIAL: PHOSPHOR BRONZE.
- 3 - 15N MIN PIN RETENTION IN EITHER DIRECTION
- 4 - 0.6 MAX PROTRUSION PERMITTED AT 4 PLACES
- 5 - PACKAGING :
 - POLYBAGS FROM 2 x 02 TO 2 x 06 POSITIONS
 - TUBE FROM 2 x 07 TO 2 x 36 POSITIONS
- 6 - TO DETERMINE DIMENSIONS :
 N = NUMBER OF POSITIONS PER ROW
 EXAMPLE : 8 POS N x 2.54 = 20.32mm
- 7 - RoHS COMPATIBLE PRODUCT SPECIFICATIONS
 - a - PLATING:
 - "LF" MEANS THE PRODUCT IS LEAD-FREE,
 2µm MINIMUM MATTE TIN OVER 1.27µm
 MINIMUM NICKEL UNDERPLATE.
 - b - MANUFACTURING PROCESS COMPATIBILITY
 - THE HOUSING WILL WITHSTAND EXPOSURE TO
 245°C ±5°C SOLDER BATH TEMPERATURE FOR
 5 SECONDS IN A WAVE SOLDER APPLICATION
 WITH A 1.6mm MIN THICK CIRCUIT BOARD.
 - c - LABELING:
 - MEETS PACKAGING SPECS AS PER GS-14-920
 - d - LEGAL STATEMENT: SEE GS-47-0004
- 8 - THIS PART SERIES IS NOT INITIALLY INTENDED FOR AUTOMOTIVE APPLICATIONS. ADDITIONAL FEES ARE CHARGEABLE FOR ANY ADDITIONAL QUALIFICATION AND TEST REPORTS PERFORMED OUTSIDE THE SCOPE OF THE STANDARD PRODUCT SPECIFICATIONS.
- 9 - UNLESS OTHERWISE APPROVED BY AMPHENOL, ALL PARTS AND COMPONENTS ARE DESIGNED & BUILT ACCORDING TO AMPHENOL'S SPECIFICATIONS WHICH ARE SUBJECT TO CHANGE WITHOUT NOTICE.



mat'l. code		surface		tolerance		projection		product family	
SEE NOTE 1		ISO 1302		ISO 406 ISO 1101		mm		DUBOX HDR	
ltr	ecn no	dr	date	tolerances unless otherwise specified		mm		title	
J	F-47162	DDE	23.02.01	angles	.X ±0.3	mm		DUBOX HEADER	
K	F-55075	DDE	25.03.20	linear	.XX ±0.3	scale 5:1		STRAIGHT DOUBLE ROW	
				±2'	.XXX ±0.3			dwg no	
E	F06-0228	LMU	06.07.11	dr	L.MULIN	00.04.12	Amphenol FCI		sheet 1 of 1
F	F08-0147	YOV	08.04.14	enfr	J.COMPAGNON	00.04.12	91687		A3
G	B-19285	AMA	14.11.03	chr	J.COMPAGNON	00.04.12	CUSTOMER		Drawing
H	F-21810	AMA	15.06.19	appd	J.COMPAGNON	00.04.12			
sheet index	revision								
	sheet								

Amphenol FCI
FCIconnect.com

Copyright FCI