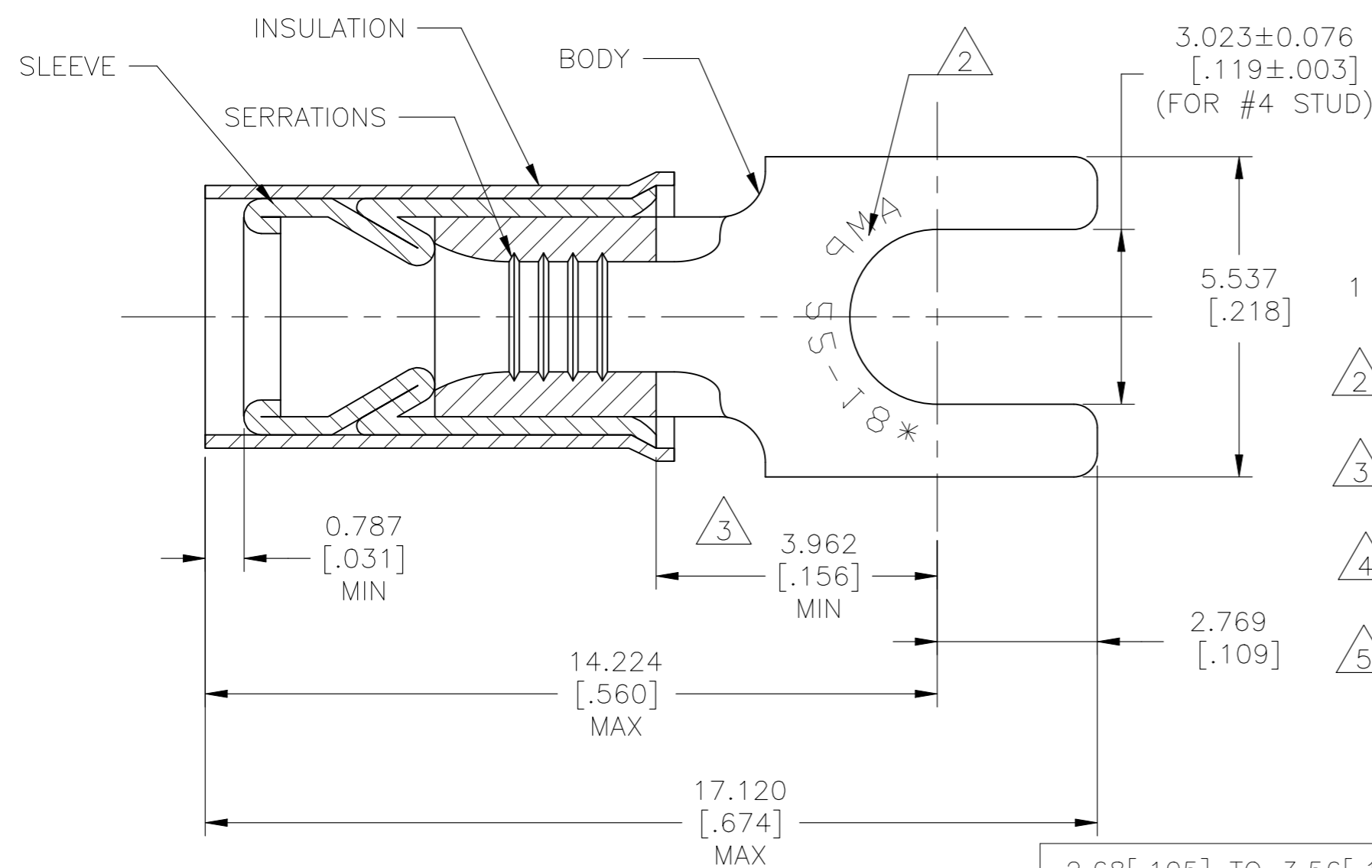


© - TE Connectivity. All Rights Reserved.

REVISIONS				
P	LTR	DESCRIPTION	DATE	APVD
	K2	REVISED PER ECR-25-255998	15SEP2025	SA DSC



<b>AMP</b> WIRE RANGE	Listed FILE E13288	LR7189 Certified
22-16 AWG SOLID OR STRANDED	22-16 AWG SOLID OR STRANDED	22-16 AWG SOLID OR STRANDED

- 1 BODY MATERIAL THK: 0.787±0.051[.031±.002]
- 2 STAMP AMP 22-18\* APPROX AS SHOWN, COMMERCIAL WIRE RANGE IS 22-16.
- 3 DIMENSION APPLIES FROM EDGE OF METAL WIRE BARREL TO CENTER OF STUD.
- 4 MATERIAL: BODY & SLEEVE: COPPER PER ASTM B152. INSULATION : NYLON
- 5 FINISH: BODY & SLEEVE: TIN PLATE 0.00254[.000100] MIN EXT THK PER ASTM B545 INSULATION: COLOR-RED.

WIRE INS DIA	QTY	PACKAGE TYPE	PART NO
2.68[.105] TO 3.56[.140]	100	LOOSE PC, BOX	8-327717-1
2.68[.105] TO 3.56[.140]	1 KIT = 250 PIECES	LOOSE PIECE	6-327717-0
2.68[.105] TO 3.56[.140]	5000	ON TAPE REEL	1-327717-2
2.03[.080] TO 3.18[.125]	1000	LOOSE PIECE	1-327717-0
2.68[.105] TO 3.56[.140]	1000	LOOSE PIECE	327717

## AMP INCORPORATED CUSTOMER SERVICE SYSTEMS

FOR ADDITIONAL PRODUCT INFORMATION OR COPIES OF DRAWINGS AND TECHNICAL DOCUMENTS	PRODUCT INFORMATION CENTER 1-800-522-6752
FOR APPLICATION TOOLING INFORMATION	TOOLING ASSISTANCE CENTER 1-800-722-1111
FOR ORDER ENTRY	1-800-526-5142

RECOMMENDED OPERATING TEMPERATURE: 105°C [221°F]
VOLTAGE RATING: 300V MAX
WIRE CROSS SECTIONAL AREA RANGE: 0.26-1.65mm <sup>2</sup> [509-3260] CIR.MIL SOLID OR STRANDED

THIS DRAWING IS A CONTROLLED DOCUMENT.

DIMENSIONS: mm [INCHES]	TOLERANCES UNLESS OTHERWISE SPECIFIED:
	0 PLC ± -
	1 PLC ± -
	2 PLC ± -
	3 PLC ± 0.127[.005]
	4 PLC ± -
	ANGLES ± -
MATERIAL	FINISH

DWN KIRAN HOLAL 03APR12
CHK ROHDE DANIEL 03APR12
APVD ROHDE DANIEL 03APR12
PRODUCT SPEC UL 486A-B
APPLICATION SPEC 114-2157
WEIGHT -

TE Connectivity			
NAME TERMINAL, SPADE TONGUE, PIDG, WIRE SIZE: 22-16 AWG			
SIZE A3	CAGE CODE 00779	DRAWING NO C-327717	RESTRICTED TO -
CUSTOMER DRAWING		SCALE 10:1	SHEET 1 OF 1
		REV K2	