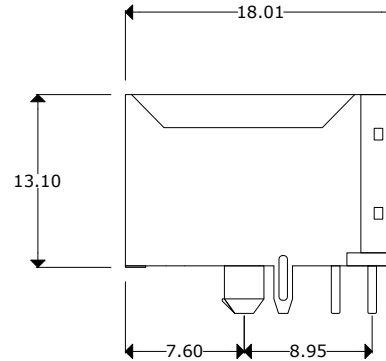
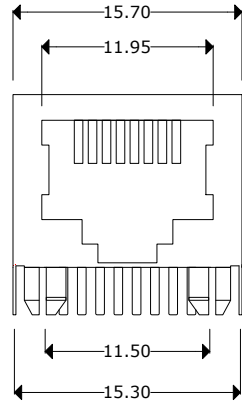
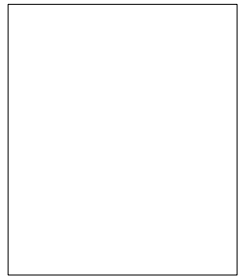
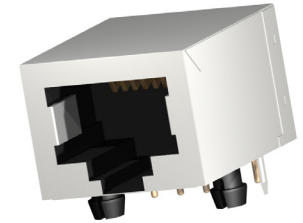


# S CN RJ - 8 8 SG N S N N - 48 3B SO RTH

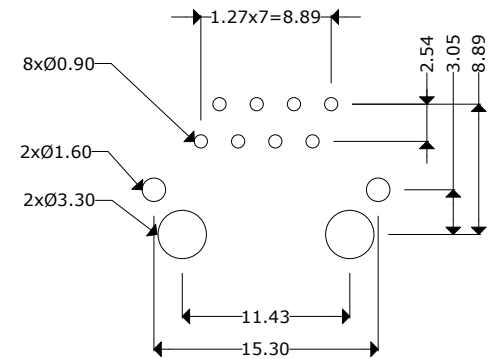
**SUNTSU** | **RJ45**  
**CONNECTOR**

**CONTACTS** 8 : 8  
**MAGNETIC** N : None  
**EMI Finger** N : None  
**OPERATING TEMP** 48 : -40~85°C  
**CONTACT TERMINATION** SO : SOLDER

**POSITIONS** 8 : 8  
**CONTACT PLATING** SG : Selective Gold Plating  
**SHIELD** S : With  
**LED COLOR** N : None  
**HEIGHT** 3B : 13.1mm  
**MOUNTING STYLE** RTH : Right Angle Through Hole



## PC Board Layout



### Electrical Parameters

Voltage Rating: 125V  
 Current Rating: 1.5A  
 Contact Resistance: 30mΩ Max  
 Insulation Resistance: 500MΩ/min.  
 Dielectric Withstanding Voltage: 1000V

### Materials

Housing: PBT, UL94V-0, Black  
 Contact: Gold Plated over Nickel  
 Conductor: 0.35x0.42mm phosphor bronze  
 Plating: Tin plated over nickel  
 Shield: 0.25mm bronze nickel plated

Remarks:  
 Operating Life: 750 Cycles MIN.



RJ45 JACK SHIELDED SIDE ENTRY

Document History				Part No.	Drawn
Edits Made	Date	Edited By	Approved By	SCNRJ-88SGNSNN-483BSORTH	B. Gibbons 10/26/2021
Initial Release	10/26/2021	B. Gibbons	KH Mun	Scale	Tolerance
				Not drawn to scale	.x±0.25 Unless otherwise stated, tolerances are .xx±0.15
				Unit	Pages
				mm	1/1