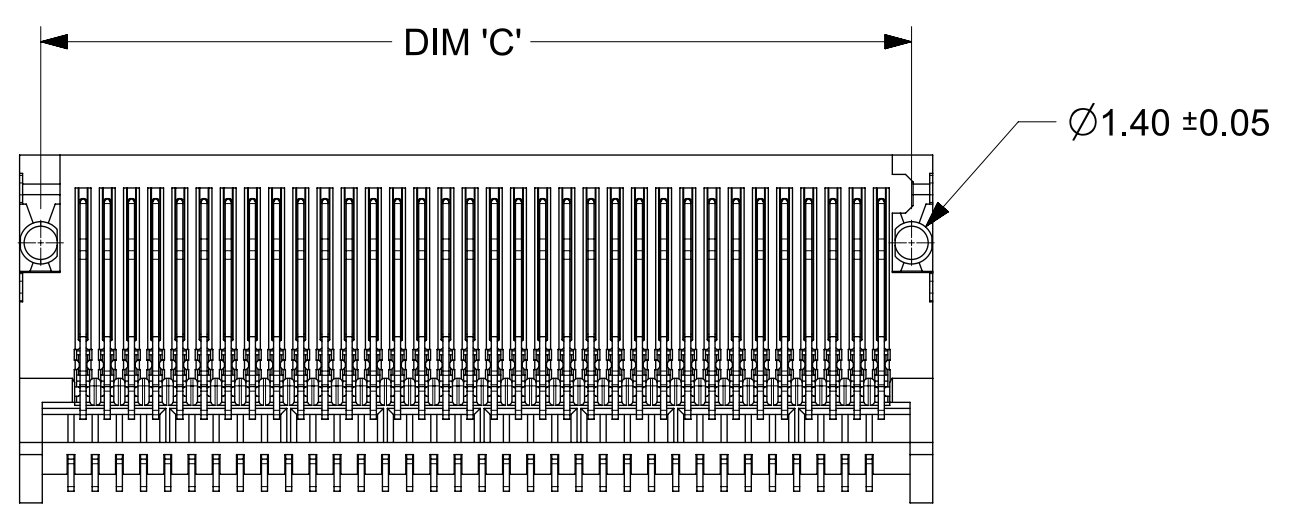
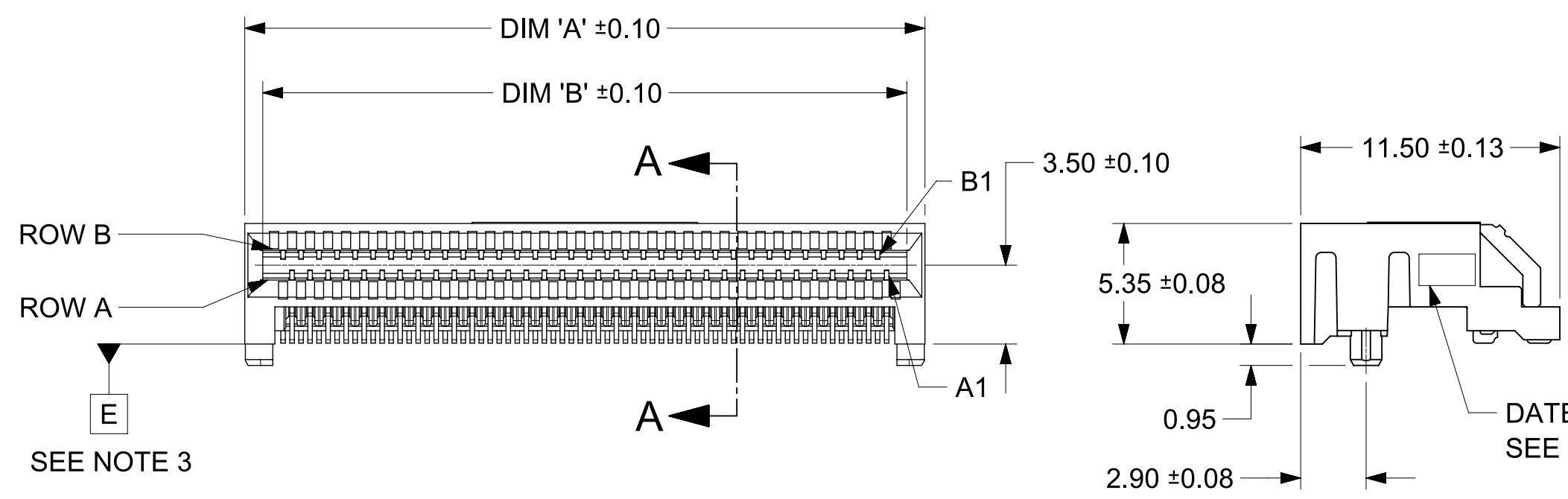
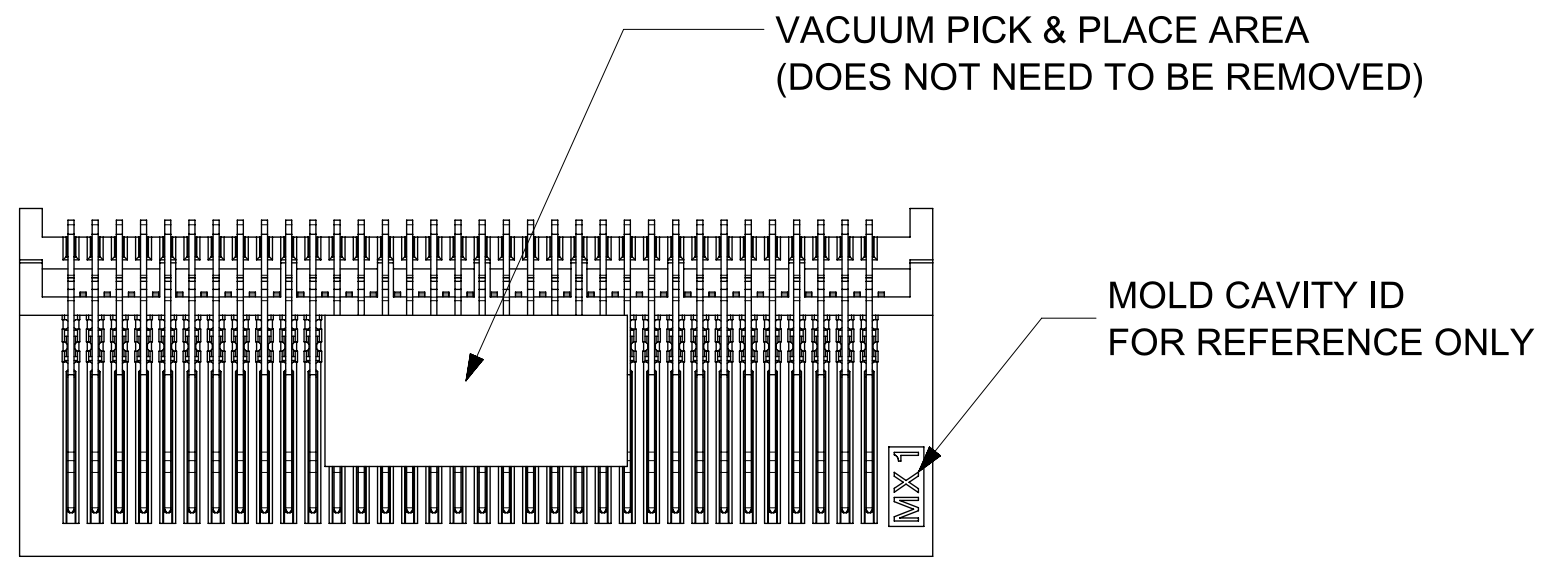
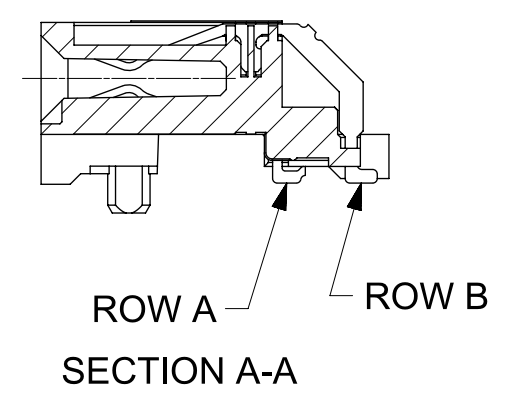


CIRCUIT SIZE	ITEM NUMBER	PLATING OPTION	DIM 'A'	DIM 'B'	DIM 'C'
26	75586-0009	OPTION 2	13.40	11.80	12.00
38	75586-0010	OPTION 1	18.20	16.60	16.80
38	75586-0011	OPTION 2	18.20	16.60	16.80
68	75586-0007	OPTION 2	30.20	28.60	28.80

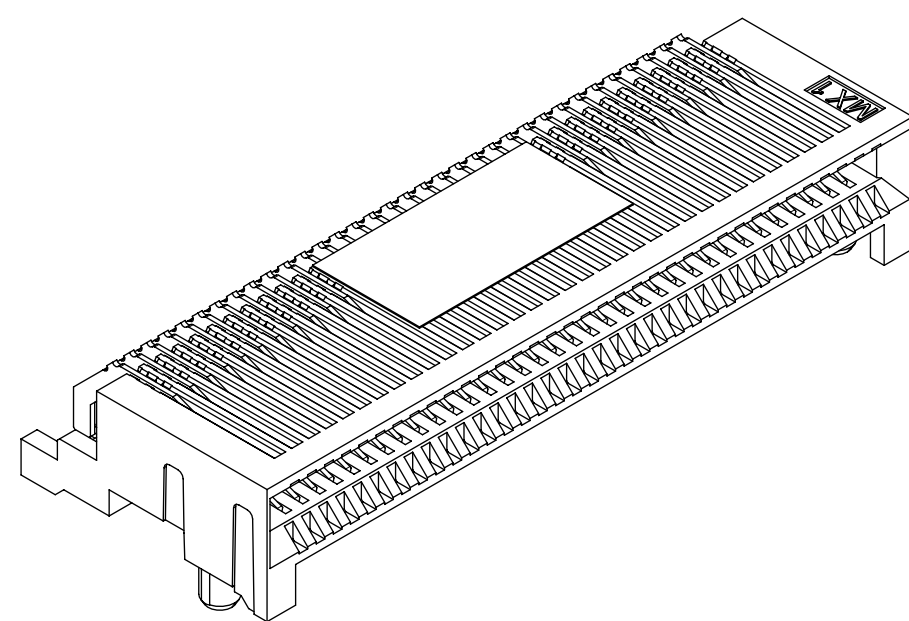


68 CIRCUIT ASSEMBLY SHOWN



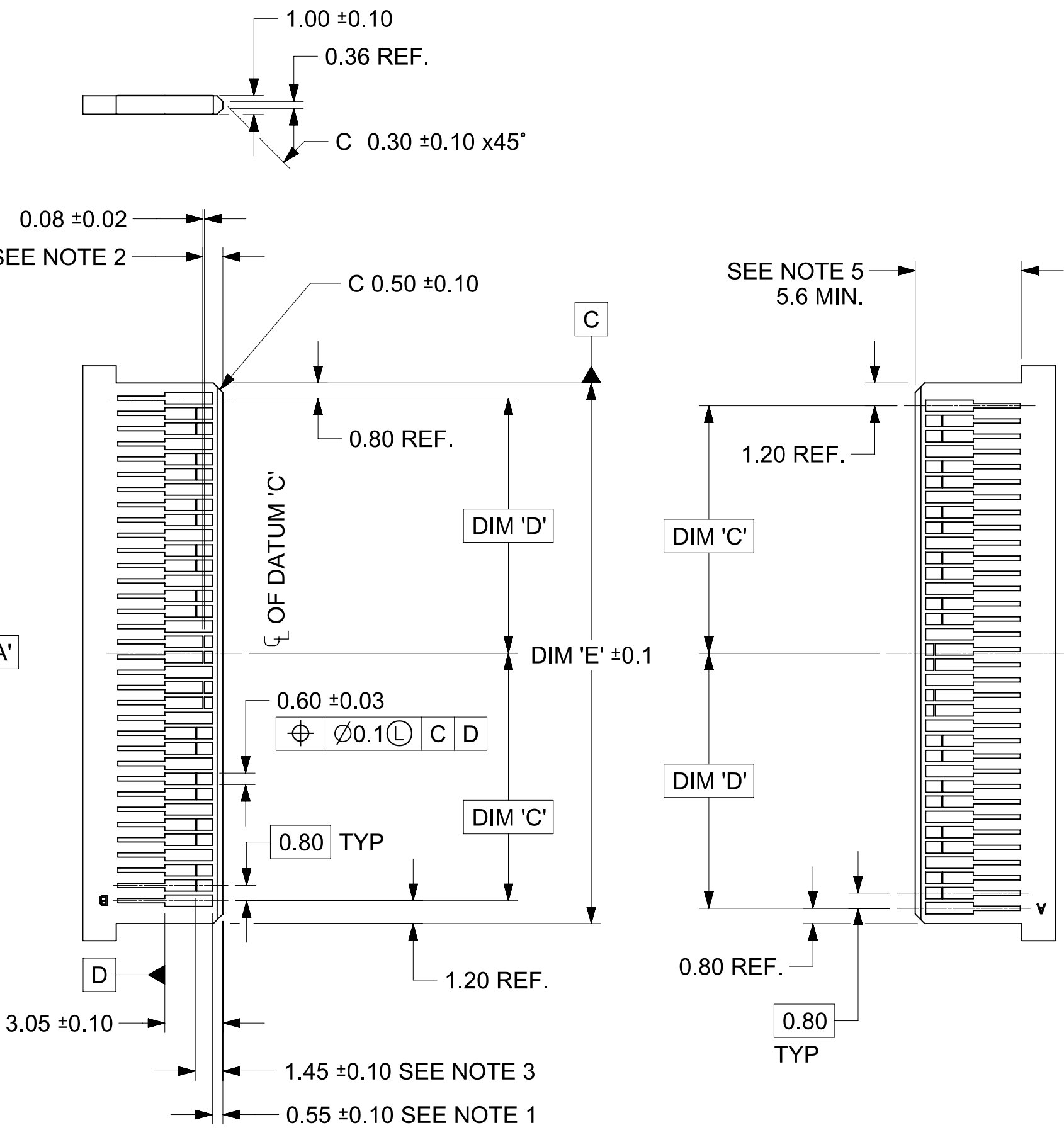
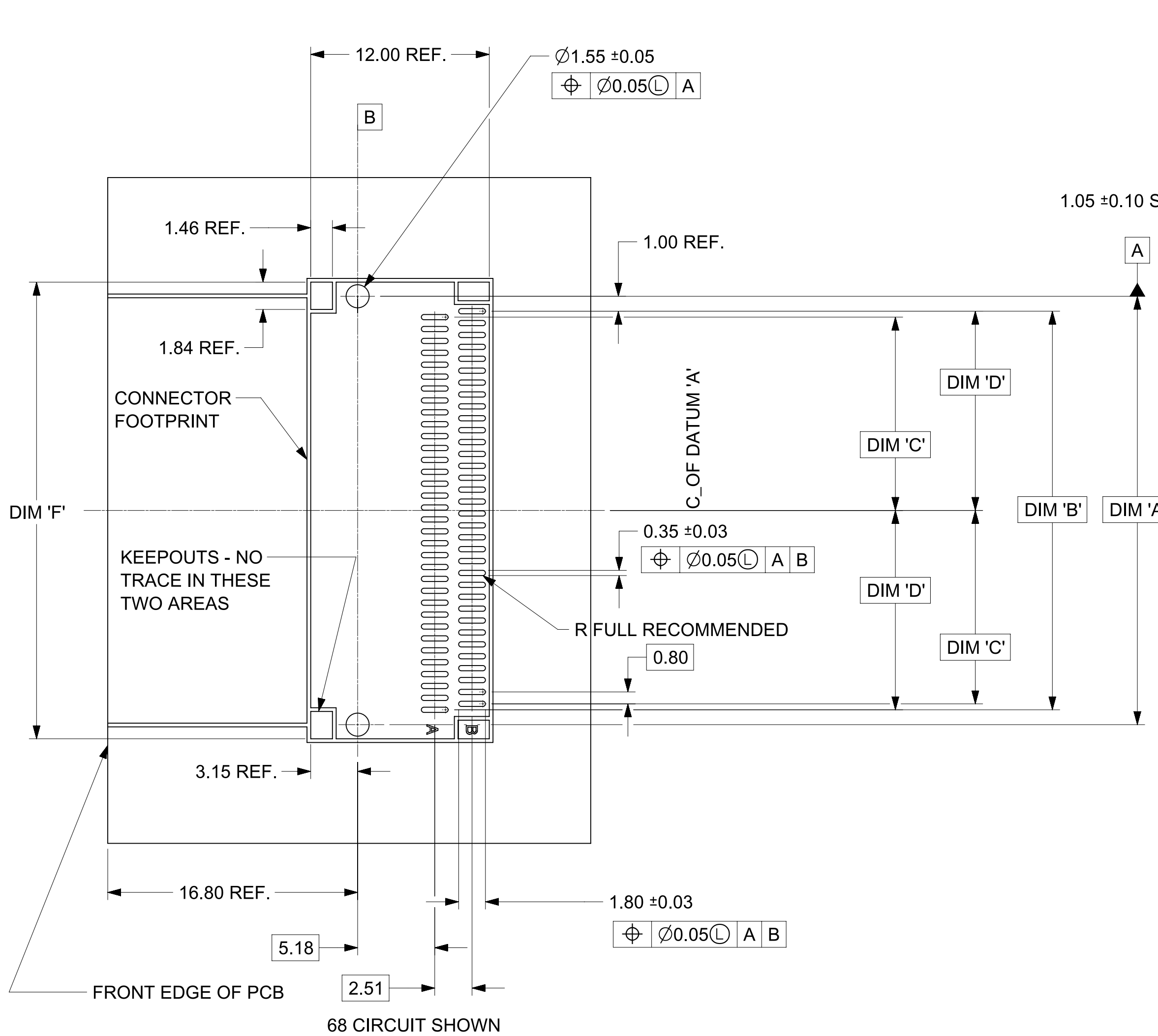
NOTES

- MATERIAL:  
HOUSING - HIGH TEMPERATURE THERMOPLASTIC GLASS FILLED, UL 94V-0, BLACK  
TERMINALS - COPPER ALLOY
- PLATING:  
OPTION 1  
CONTACT AREA - 0.38 µm MIN GOLD OVER 2.54 µm MIN NICKEL  
SOLDER FOOT AREA - 2.54 - 5.09 µm TIN OVER 1.27 µm MIN NICKEL.  
OPTION 2  
CONTACT AREA - 0.76 µm MIN GOLD OVER 2.54 µm NICKEL  
SOLDER AREA - 2.54 - 5.09 µm TIN OVER 1.27 µm MIN NICKEL
- TERMINAL SOLDER FEET TO BE COPLANAR WITHIN 0.10/.004 MEASURED FROM FRONT HOUSING STAND OFF (DATUM E)
- DATE CODE: 4 DIGIT (3 DIGIT DATE, 1 DIGIT YEAR)
- CIRCUIT IDENTIFIER: SEE APPROPRIATE INDUSTRY SPECIFICATION FOR LOCATION OF PIN 1
- TO BE USED WITH EXTERNAL CABLES (74546 & 74547 SERIES) AND GUIDE FRAMES (74540 & 74548 SERIES)
- TESTER/ANALYZER CABLES AVAILABLE (74557 & 74558 SERIES)
- PACKAGED PER PACKAGING SPECIFICATION: PK-75586-002
- CONFORMS TO PRODUCT SPECIFICATION: PS-75586-001
- THIS PART CONFORMS TO CLASS C REQUIREMENTS OF COSMETIC SPECIFICATION PS-45499-002.



iPASS™ IS A TRADEMARK OF MOLEX

THIS DRAWING CONTAINS INFORMATION THAT IS PROPRIETARY TO MOLEX ELECTRONIC TECHNOLOGIES, LLC AND SHOULD NOT BE USED WITHOUT WRITTEN PERMISSION									
DIMENSION UNITS		SCALE		CURRENT REV DESC: SEE REVISION HISTORY					
MM		4:1							
GENERAL TOLERANCES (UNLESS SPECIFIED)									
		MM	INCH	STATUS: Production DRWN: sachin uday gunagi 2024-11-12 CHK'D: Ganesh Rao B 2026-03-18 APPR: Gurunandan GA 2026-03-20 INITIAL REVISION: DRWN: DRAWN BY 0099/99/99 APPR: APPR BY 0099/99/99					
4 PLACES	±								
3 PLACES	±								
2 PLACES	±	0.130							
1 PLACE	±	0.25							
0 PLACES	±			DOCUMENT NUMBER		DOC TYPE	DOC PART	REVISION	
ANGULAR TOL		± 0.5°		SD-75586-001		PSD	001	G5	
DRAFT WHERE APPLICABLE MUST REMAIN WITHIN DIMENSIONS		THIRD ANGLE PROJECTION		DRAWING	SERIES	MATERIAL NUMBER		CUSTOMER	SHEET NUMBER
				C-SIZE	75586	SEE CHART		GENERAL MARKET	1 OF 4



- NOTES:
- PAD CONFIGURATION FOR FIRST MATE.
  - PAD CONFIGURATION FOR SECOND MATE.
  - PAD CONFIGURATION FOR THIRD MATE (HIGH SPEED SIGNALS).
  - FOR PIN ASSIGNMENTS AND MATING SEQUENCE (1ST, 2ND, 3RD), SEE APPLICABLE SPECIFICATION.
  - MINIMUM STEP REQUIRED IF PCB MADE WIDER THAN CARD TOUNGE.
  - SEE 74540 OR 74548 SERIES FOR GUIDE FRAME FOOT PRINT AND KEEP OUT AREA.

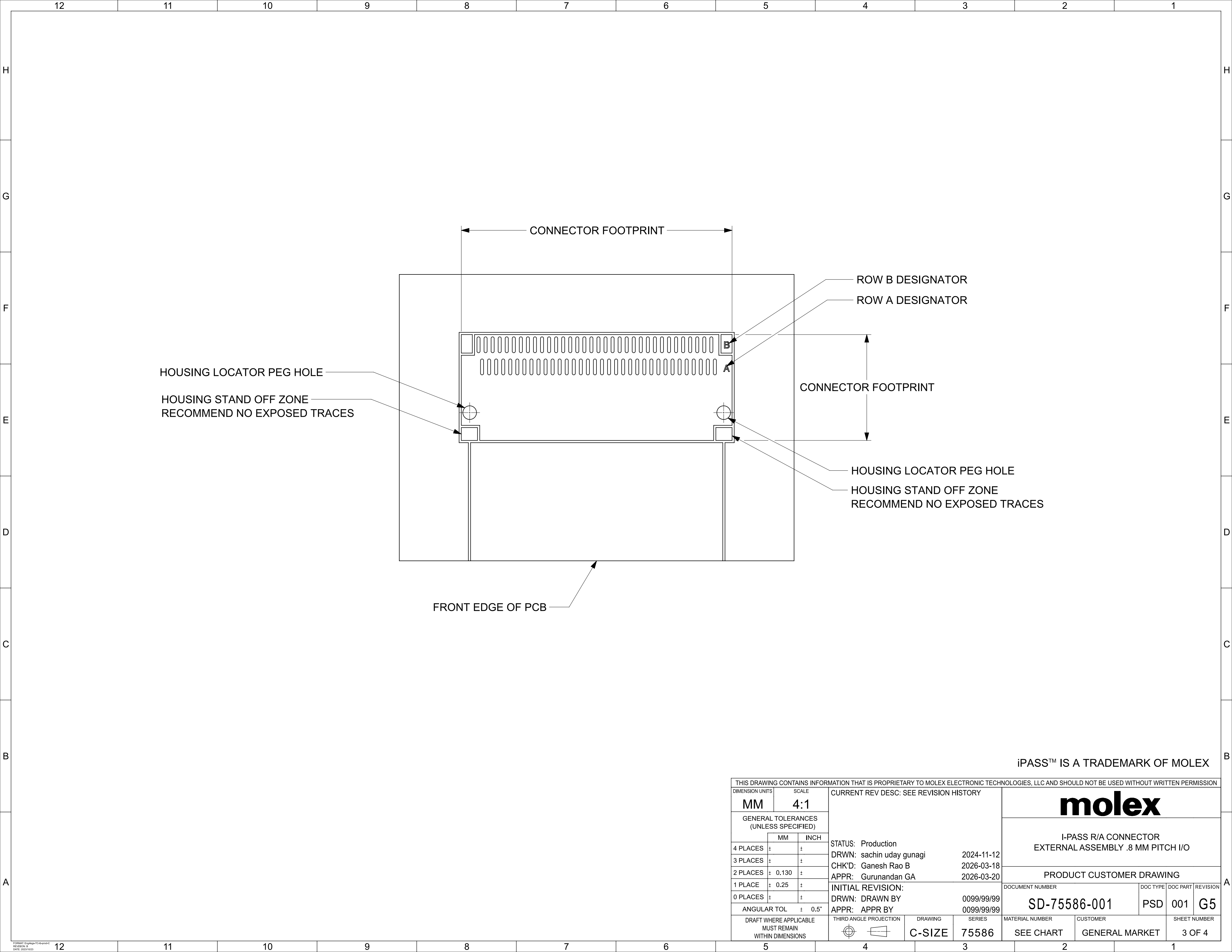
CIRCUIT SIZE	TERM/SIDE 'N'	DIMENSIONS					
		DIM 'A'	DIM 'B'	DIM 'C'	DIM 'D'	DIM 'E'	DIM 'F'
36	18	16.00	14.00	6.60	7.00	15.60	17.90
38	19	16.80	14.80	7.00	7.40	16.40	18.70
68	34	28.80	26.80	13.00	13.40	28.40	30.70

iPASS™ IS A TRADEMARK OF MOLEX

THIS DRAWING CONTAINS INFORMATION THAT IS PROPRIETARY TO MOLEX ELECTRONIC TECHNOLOGIES, LLC AND SHOULD NOT BE USED WITHOUT WRITTEN PERMISSION

DIMENSION UNITS: <b>MM</b>	SCALE: <b>4:1</b>	CURRENT REV DESC: SEE REVISION HISTORY	
GENERAL TOLERANCES (UNLESS SPECIFIED)		STATUS: Production	
4 PLACES ±	±	DRWN: sachin uday gunagi	2024-11-12
3 PLACES ±	±	CHK'D: Ganesh Rao B	2026-03-18
2 PLACES ±	0.130 ±	APPR: Gurunandan GA	2026-03-20
1 PLACE ±	0.25 ±	INITIAL REVISION:	
0 PLACES ±	±	DRWN: DRAWN BY	0099/99/99
ANGULAR TOL ±	0.5°	APPR: APPR BY	0099/99/99
DRAFT WHERE APPLICABLE MUST REMAIN WITHIN DIMENSIONS	THIRD ANGLE PROJECTION	DRAWING: <b>C-SIZE</b>	SERIES: <b>75586</b>

DOCUMENT NUMBER: <b>SD-75586-001</b>				DOC TYPE: <b>PSD</b>	DOC PART: <b>001</b>	REVISION: <b>G5</b>
MATERIAL NUMBER: <b>SEE CHART</b>		CUSTOMER: <b>GENERAL MARKET</b>		SHEET NUMBER: <b>2 OF 4</b>		



iPASS™ IS A TRADEMARK OF MOLEX

THIS DRAWING CONTAINS INFORMATION THAT IS PROPRIETARY TO MOLEX ELECTRONIC TECHNOLOGIES, LLC AND SHOULD NOT BE USED WITHOUT WRITTEN PERMISSION									
DIMENSION UNITS		SCALE		CURRENT REV DESC: SEE REVISION HISTORY					
MM		4:1		<b>molex</b> I-PASS R/A CONNECTOR EXTERNAL ASSEMBLY .8 MM PITCH I/O PRODUCT CUSTOMER DRAWING					
GENERAL TOLERANCES (UNLESS SPECIFIED)									
	MM	INCH							
4 PLACES	±								
3 PLACES	±								
2 PLACES	± 0.130								
1 PLACE	± 0.25			STATUS: Production		DRWN: sachin uday gunagi		2024-11-12	
0 PLACES	±			CHK'D: Ganesh Rao B		2026-03-18		APPR: Gurunandan GA	
ANGULAR TOL ± 0.5°				INITIAL REVISION:		DRAWING		SERIES	
DRAFT WHERE APPLICABLE MUST REMAIN WITHIN DIMENSIONS				THIRD ANGLE PROJECTION		C-SIZE		75586	
				DOCUMENT NUMBER		CUSTOMER		SHEET NUMBER	
				SD-75586-001		GENERAL MARKET		3 OF 4	
				DOC TYPE		DOC PART		REVISION	
				PSD		001		G5	

DATE	VERSION	DESCRIPTION
2020-10-12	G3	UPDATE TO LATEST DRAWING FRAME
2024-05-08	G4	REMOVED OBSOLETE PART NUMBERS 75586-0004 & 75586-0006
2026-02-16	G5	UPDATED THE DIMENSIONS REMOVED OBSOLETE PART NUMBERS: 75586-0001 75586-0002 75586-0003 75586-0008

THIS DRAWING CONTAINS INFORMATION THAT IS PROPRIETARY TO MOLEX ELECTRONIC TECHNOLOGIES, LLC AND SHOULD NOT BE USED WITHOUT WRITTEN PERMISSION													
DIMENSION UNITS		SCALE		CURRENT REV DESC: SEE REVISION HISTORY				<b>molex</b>					
MM		1:1											
GENERAL TOLERANCES (UNLESS SPECIFIED)				STATUS: Production DRWN: sachin uday gunagi 2024-11-12 CHK'D: Ganesh Rao B 2026-03-18 APPR: Gurunandan GA 2026-03-20 INITIAL REVISION: DRWN: RFC_PLMIMP 2004-09-16 APPR: Gurunandan GA 2026-03-20				I-PASS R/A CONNECTOR EXTERNAL ASSEMBLY .8 MM PITCH I/O					
								PRODUCT CUSTOMER DRAWING					
4 PLACES		±						DOCUMENT NUMBER		DOC TYPE		DOC PART	
3 PLACES		±						SD-75586-001		PSD		001	
2 PLACES		± 0.130						REVISION		G5			
1 PLACE		± 0.25						MATERIAL NUMBER		CUSTOMER		SHEET NUMBER	
0 PLACES		±		SEE CHART		GENERAL MARKET		4 OF 4					
ANGULAR TOL ± 0.5°				THIRD ANGLE PROJECTION		DRAWING		SERIES					
DRAFT WHERE APPLICABLE MUST REMAIN WITHIN DIMENSIONS						C-SIZE		75586					