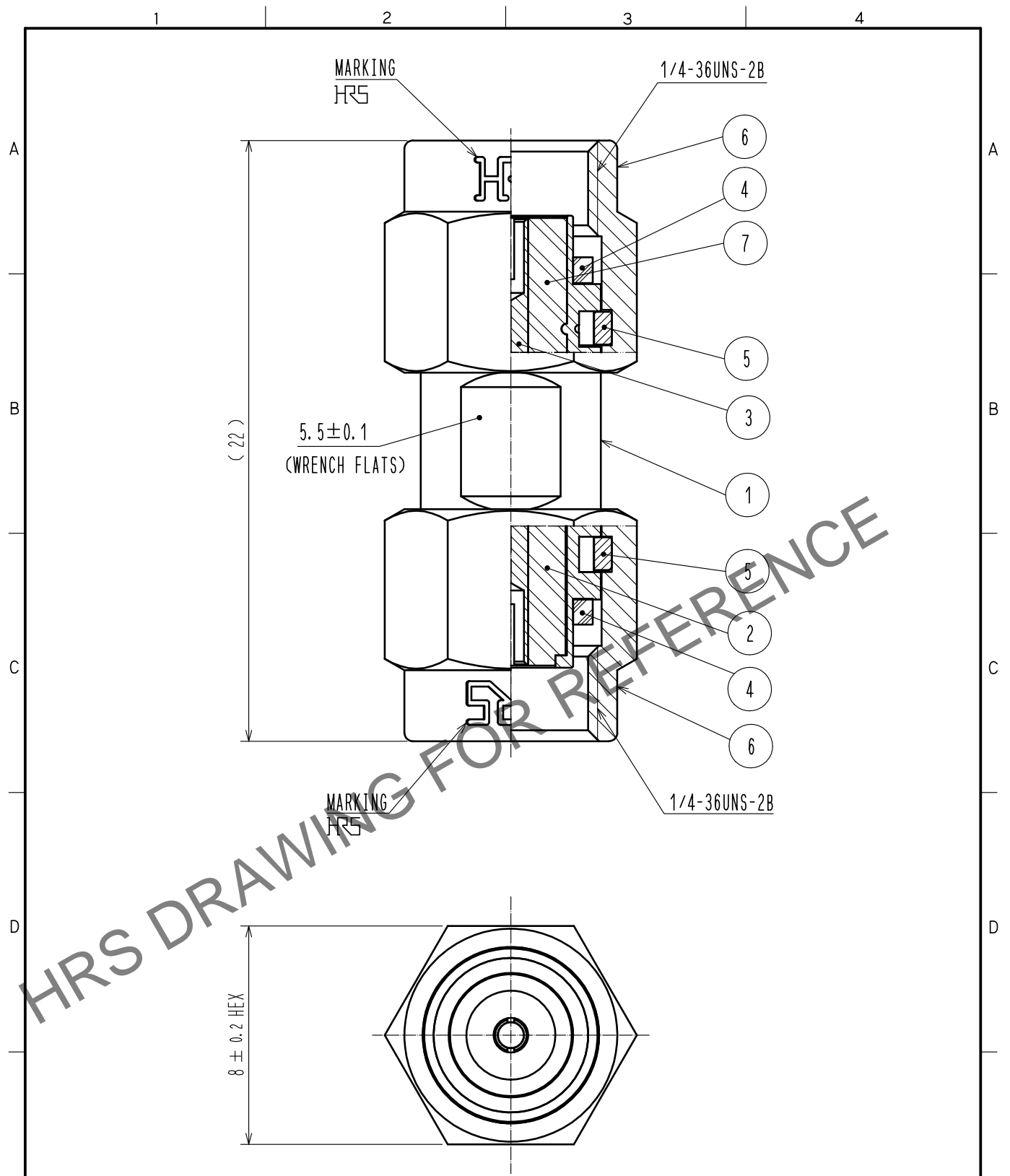


May.1.2026 Copyright 2026 HIROSE ELECTRIC CO., LTD. All Rights Reserved.  
 In case of consideration for using Automotive equipment / device which demand high reliability, kindly contact our sales window correspondents.



RoHS COMPLIANT

4	SILICON RUBBER						
3	BERYLLIUM COPPER	GOLD PLATING	7	PTFE			
2	PTFE		6	STAINLESS STEEL	PASSIVATE		
1	STAINLESS STEEL	PASSIVATE	5	BERYLLIUM COPPER	NICKEL PLATING		
NO.	MATERIAL	FINISH .	REMARKS	NO.	MATERIAL	FINISH .	REMARKS

UNITS mm		SCALE 5 : 1	COUNT 	DESCRIPTION OF REVISIONS	DESIGNED	CHECKED	DATE
-------------	--	----------------	-----------	--------------------------	----------	---------	------

HIROSE ELECTRIC CO., LTD.	APPROVED : TO. KATAYAMA	17. 08. 30	DRAWING NO.	EDC-379045-00-00
	CHECKED : KY. SHIMIZU	17. 08. 30	PART NO.	SMA(R)-A-PP
	DESIGNED : TY. OZAKI	17. 08. 30	CODE NO.	CL323-0127-0-00
	DRAWN : TY. OZAKI	17. 08. 30		