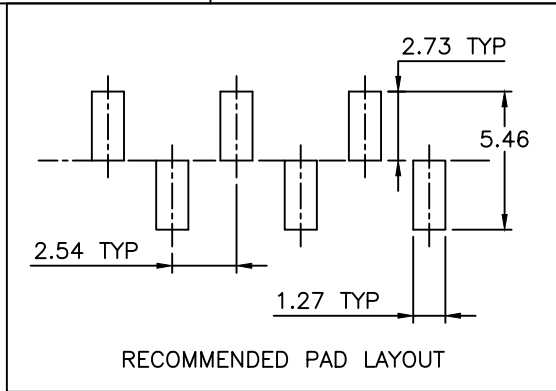


PRODUCT NUMBER
95293-XXX-XXLF

- RoHS COMPATIBLE, SEE NOTE 6
- TOTAL NB OF POSITIONS, 3 TO 17
- PACKAGING, SEE NOTE 3
(MAY BE SUBJECT TO TOOLING FEES)
- PIN STYLE, SEE TABLE
(AS AVAILABLE)

EXTENDED RANGE

- TOOLING FEASIBILITY CONFIRMED
- SAMPLES ON DEMAND
- AVAILABILITY ON DEMAND

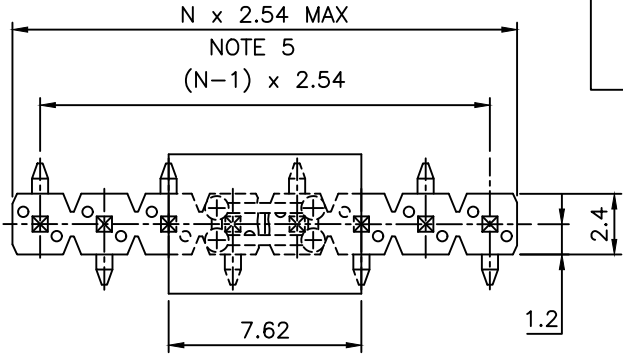


PLATING
(AS AVAILABLE)

- 1= 0.76µm GOLD/GXT ON CONTACT AREA, 2µm MATTE TIN MIN ON TAILS
- 4= 2.0µm MATTE TIN MIN FULL PLATED
- 8= 0.38µm GOLD/GXT ON CONTACT AREA, 2µm MATTE TIN MIN ON TAILS
- 1.27µm NICKEL MIN UNDERLAYER FOR ALL PLATING VERSIONS

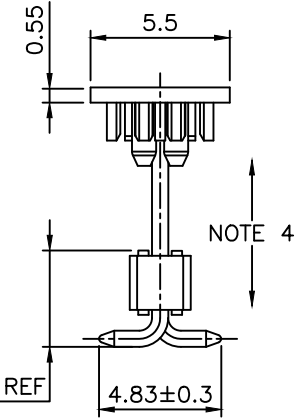
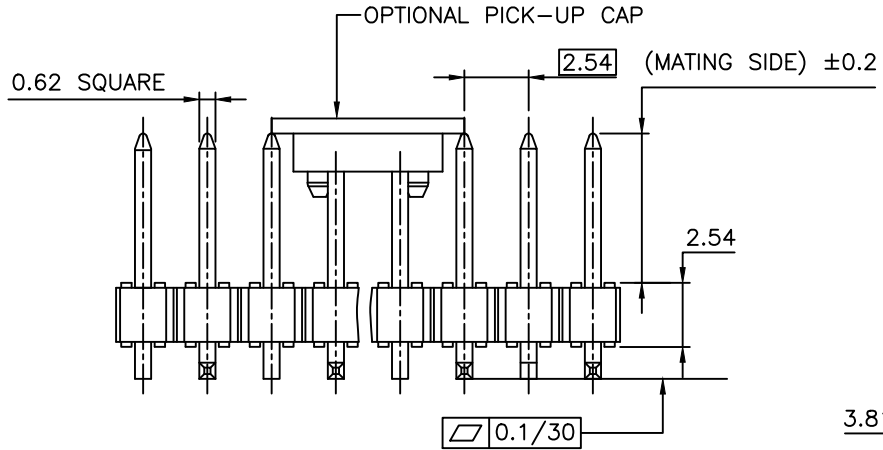
PIN STYLE	MATING
01	5.84
02	8.08
05	9.60
07	11.20
08	13.40
09	7.50
10	6.94
11	5.30
12	7.80

NOT TOOLED
NOT TOOLED
NOT TOOLED



NOTES:

- 1 - HOUSING MATERIAL : HIGH TEMPERATURE THERMOPLASTIC. UL94V-0 COLOR: BLACK
- 2 - PIN MATERIAL : PHOSPHOR BRONZE
- 3 - PACKAGING
 - = POLY BAGS
 - B = TUBE + CAP - ONLY AVAILABLE UPON REQUEST
 - A = TAPE & REEL + PICK-UP CAP, AS AVAILABLE
 - K = TAPE & REEL WITHOUT PICK-UP CAP, AS AVAILABLE
 - ER = TAPE & REEL WITH CAP, FOR CUSTOMER DEDICATED PART AND SPECIFIC LABEL ON REEL
- 4 - 9N MIN RETENTION IN EITHER DIRECTION
- 5 - TO DETERMINE DIMENSIONS :
N = NUMBER OF POSITIONS
EXAMPLE : 8 POS N x 2.54 = 20.32mm
- 6. RoHS COMPATIBLE PRODUCT SPECIFICATIONS
 - a - PLATING:
 - "LF" MEANS THE PRODUCT IS LEAD-FREE, 2µm MINIMUM MATTE TIN OVER 1.27µm MINIMUM NICKEL UNDERPLATE.
 - b - MANUFACTURING PROCESS COMPATIBILITY
 - THE HOUSING WILL WITHSTAND EXPOSURE TO 260°C PEAK TEMPERATURE FOR 30 SECONDES IN A CONVECTION, INFRA-RED OR VAPOR PHASE REFLOW OVEN.
 - c - LABELING:
 - MEETS PACKAGING SPECS AS PER GS-14-920
 - d - LEGAL STATEMENT: SEE GS-47-0004



- 7. THIS PART SERIES IS NOT INITIALLY INTENDED FOR AUTOMOTIVE APPLICATIONS. ADDITIONAL FEES ARE CHARGEABLE FOR ANY ADDITIONAL QUALIFICATION AND TEST REPORTS PERFORMED OUTSIDE THE SCOPE OF THE STANDARD PRODUCT SPECIFICATIONS.
- 8. UNLESS OTHERWISE APPROVED BY AMPHENOL, ALL PARTS AND COMPONENTS ARE DESIGNED & BUILT ACCORDING TO AMPHENOL'S SPECIFICATIONS WHICH ARE SUBJECT TO CHANGE WITHOUT NOTICE.

mat'l. code		surface		tolerance		projection		product family	
SEE NOTES		ISO 1302		ISO 406 ISO 1101		mm		BERGSTIK	
ltr	ecn no	dr	date	tolerances unless otherwise specified		mm		title	
X	F-47110	DDE	23.01.25	angles linear		mm		UNSHR.HEADER	
Y	F-50319	DDE	24.01.08	x.xx ±0.3		scale 5:1		SR SMT	
AA	F-52812	DDE	24.09.05	or ±2'				dwg no	
AB	F-54186	DDE	25.01.08	dr		D.LEGRAND		sheet 1 of 1	
AC	F-54514	DDE	25.02.06	engr		J.COMPAGNON		size	
AD	F-285870	DDE	26.04.10	chr		J.COMPAGNON		A3	
				appd		JF.NOTTEAU		type	
								CUSTOMER Drawing	
sheet index		revision sheet							

Amphenol FCI FCIconnect.com Copyright FCI