

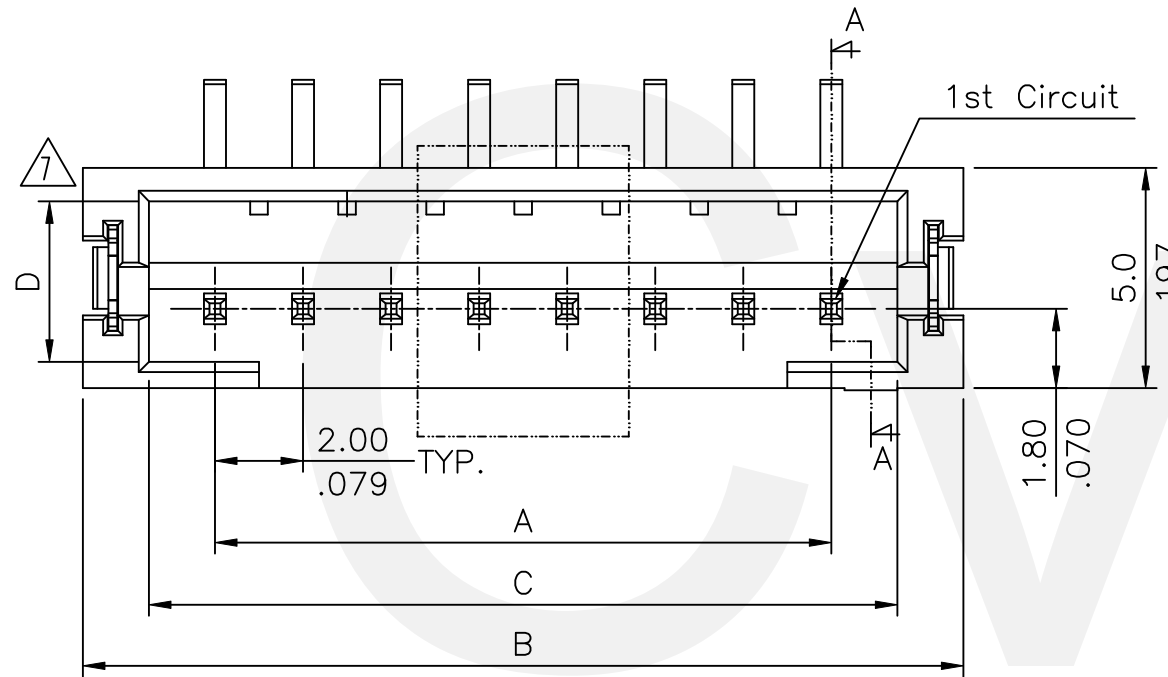
Note: 1. Material:

- △ * Insulation: High Temperature Polyamide UL 94V-0, Color Nature
- * Contact: Brass
- * TAB: Brass with matte Tin plated

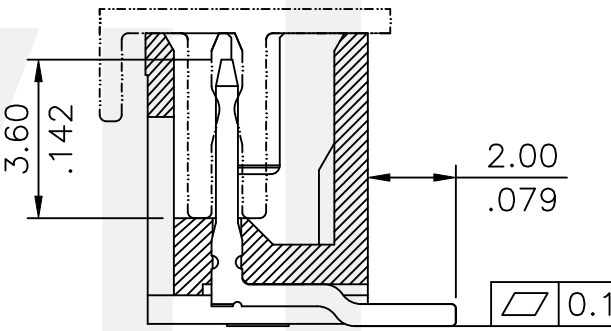
2. Plating:

- * TAB: Matte Tin plated over Nickel

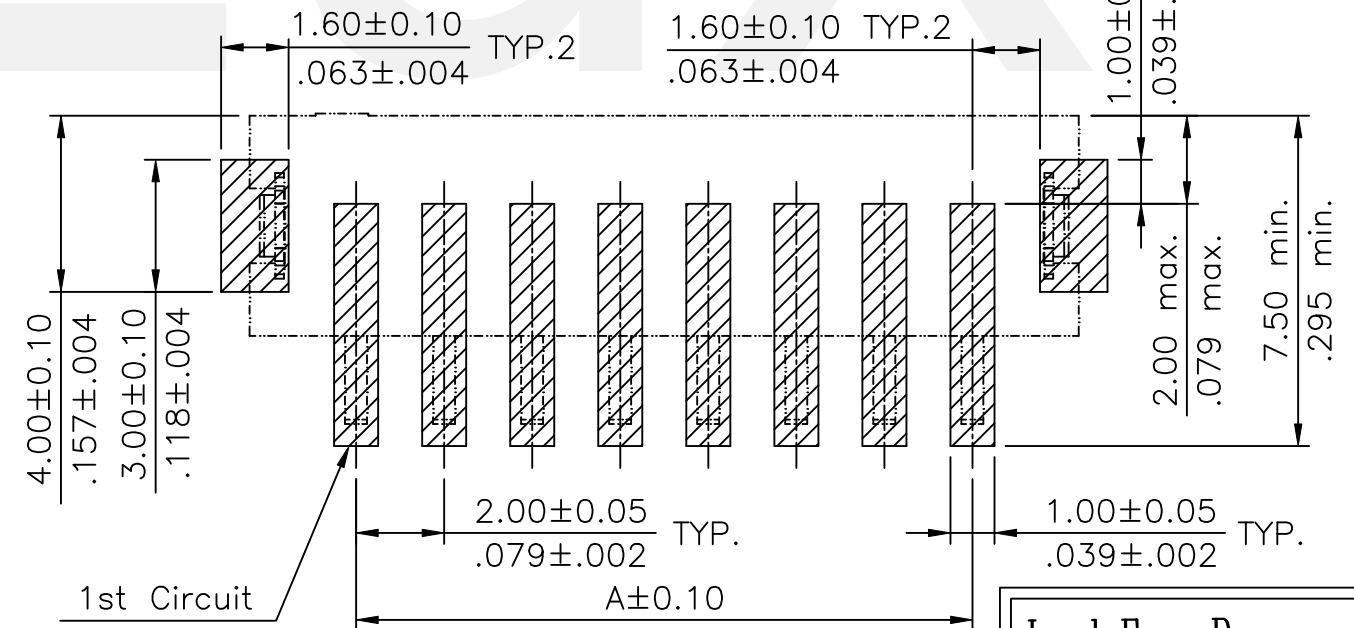
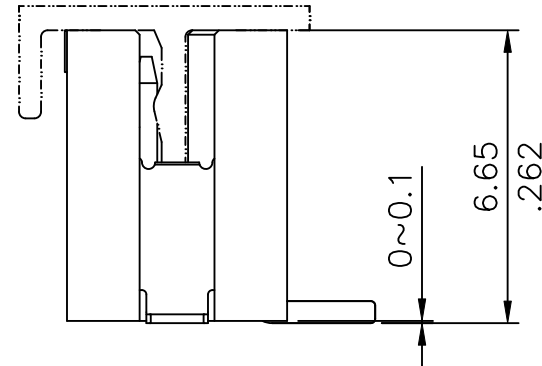
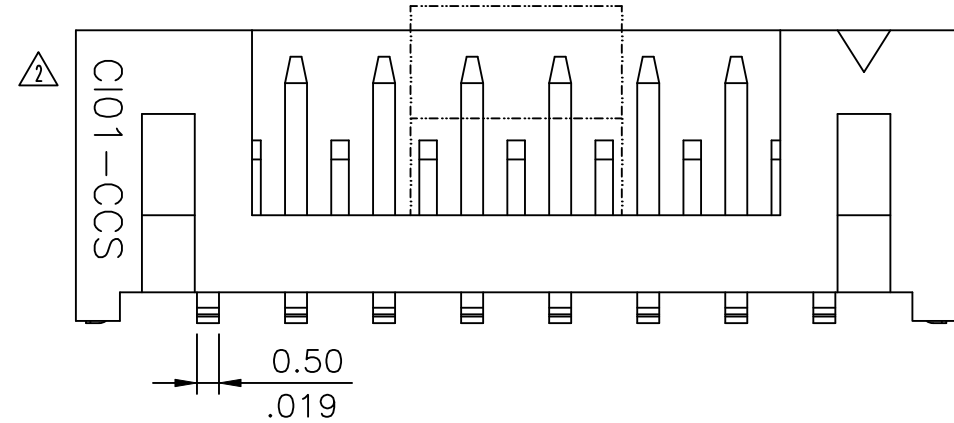
△ 3. For Lead Free Reflow Process



Circuits	Dim.D
2~6	$3.62 \pm 0^{+0.05} (.143 \pm 0^{+0.002})$
7~15	$3.54 \pm 0^{+0.10} (.139 \pm 0^{+0.004})$



A-A SEC.



A = 2.00 x No. of Spaces
 B = A + 6.0
 C = A + 3.0

* Available in 2 through 15 circuits

		TOLERANCE		
Dim	Circuits	2~6P	7~10P	11~16P
A		±0.10	±0.15	±0.20

Ordering Code:

CI01 ** M 1 V * 0 -NH
 ① ② ③ ④ ⑤ ⑥ ⑦ ⑧

- ① Series No.
- ② No. of Circuits:
- ③ Contacts Type: M= SMT
- ④ Plating: 1= 3.05μm(120μ") Min. Matte Tin over 1.27μm(50μ") Nickel
2= Gold Flash plated over 1.27μm(50μ") Nickel
- ⑤ Type: V= Straight
- ⑥ Packing Options:
R= Tape & Reel with Pad
T= Tube Packing without Pad
- ⑦ Option: 0= Standard
- ⑧ Other option:
-NH= For Lead Free Reflow Process and Halogen-Free

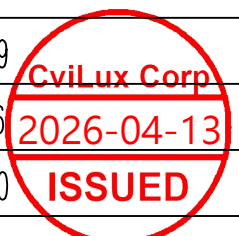
Sold Pad Pattern

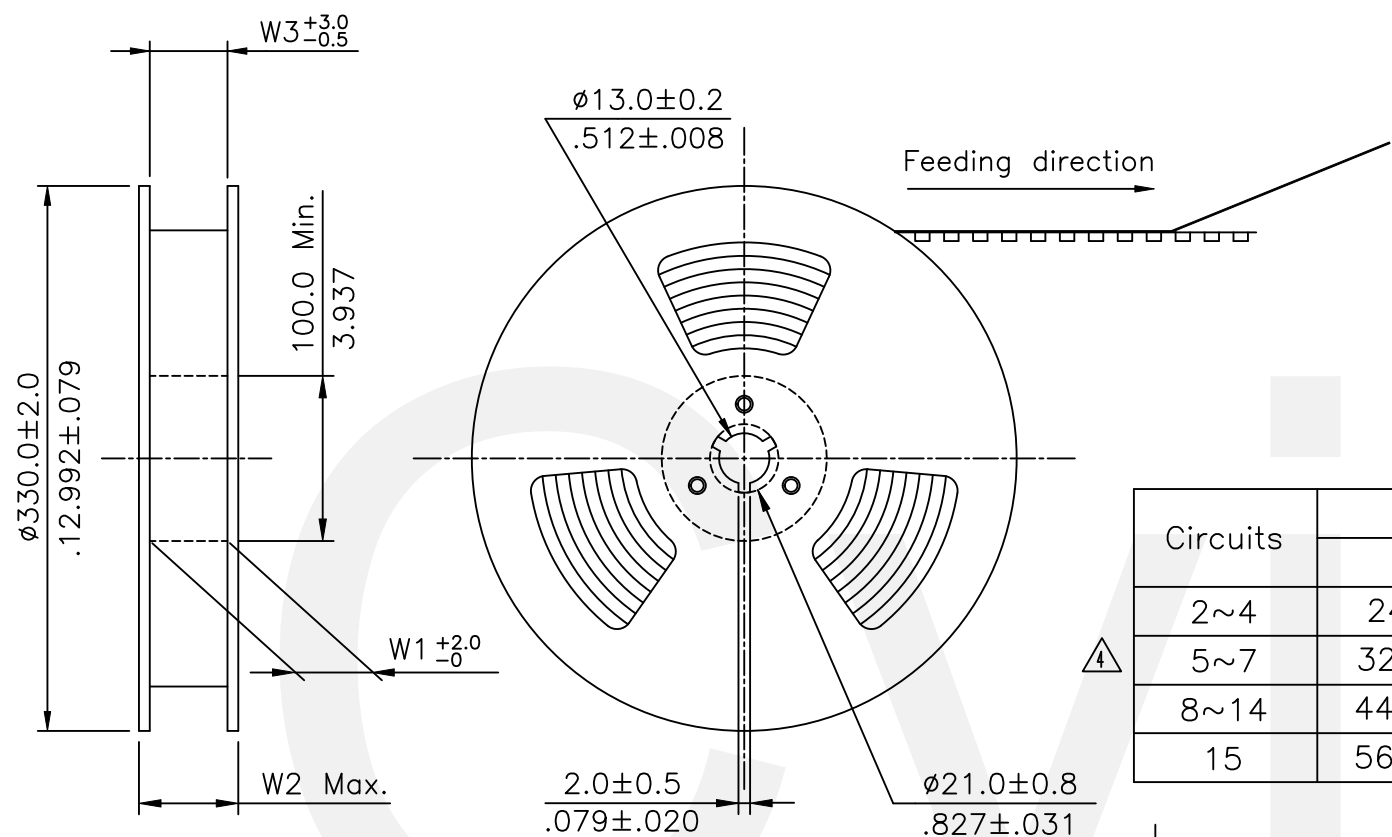
Lead Free Process

Halogen-Free

RoHS Compliant

△7	Yan	1/16-26'	ECRQ125045/ECNT126006		DATE	UNIT: mm / inch	TITLE: 2.00mm PITCH TOP ENTRY SMT HEADER	瀚荃股份有限公司 CviLux Corporation
△6	Sun	6/10-21'	ECRH121018/ECNT121139	DRAWN BY: Yan	1/16-26'	TOLERANCE UNLESS OTHERWISE SPECIFIED	MATERIAL:	
△5	Sun	1/06-21'	ECRT120085/ECNT120316	ENGINEER: Sun	1/16-26'	.X ± 0.30 X' ± 1'	FINISH: ACL1348	DRAWING NO. CI0123AH PART NO. CI01**M*V*0-NH
△4	Ken	4/11-18'	ECNT118070/ECRH118010	CHECKED BY: Eisley	1/16-26'	.XX ± 0.20 X' ±		SCALE 4 / 1 SHEET 1 OF 2
SYM	NAME	DATE	REVISIONS	APPROVED BY: Eisley	1/16-26'	.XXX ± 0.10 .XX' ±		

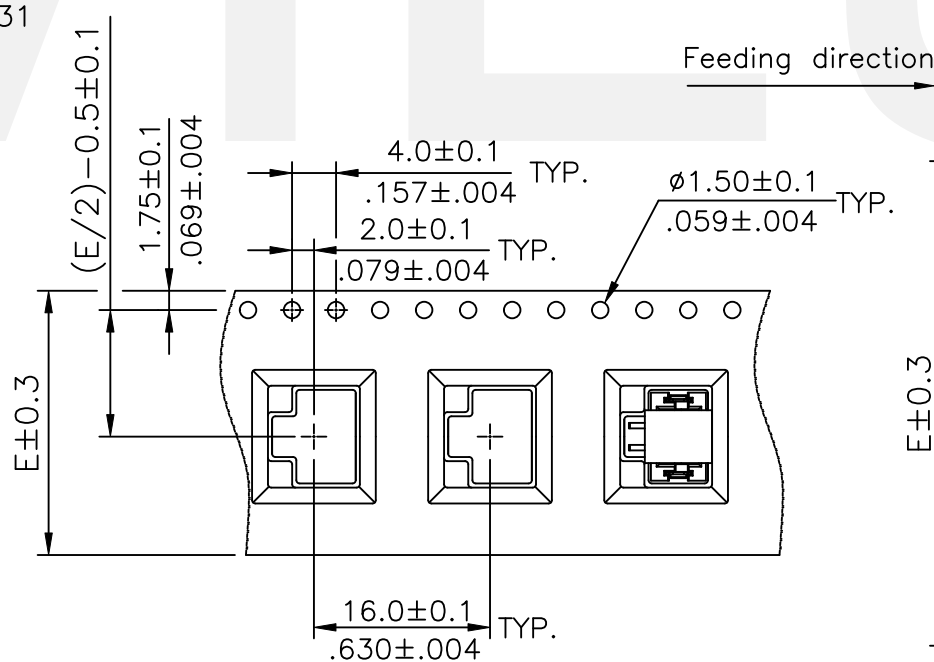
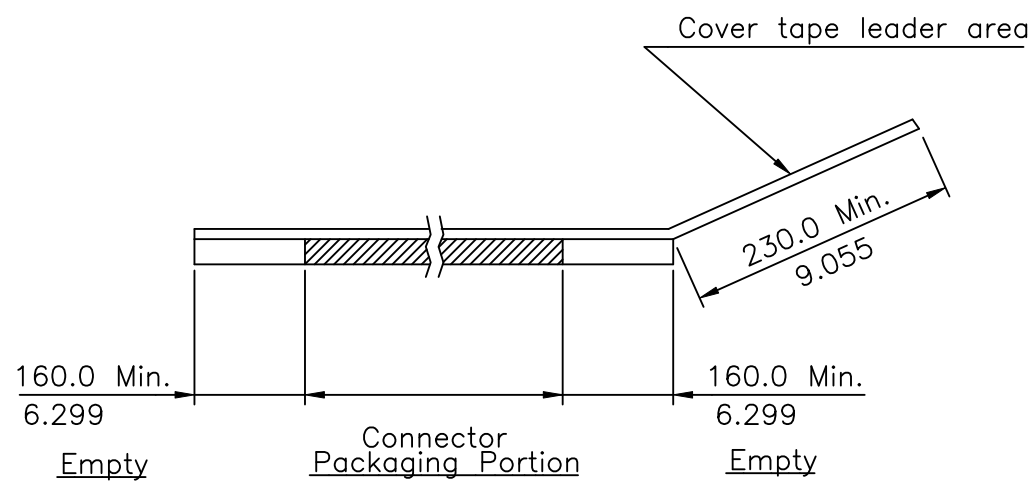




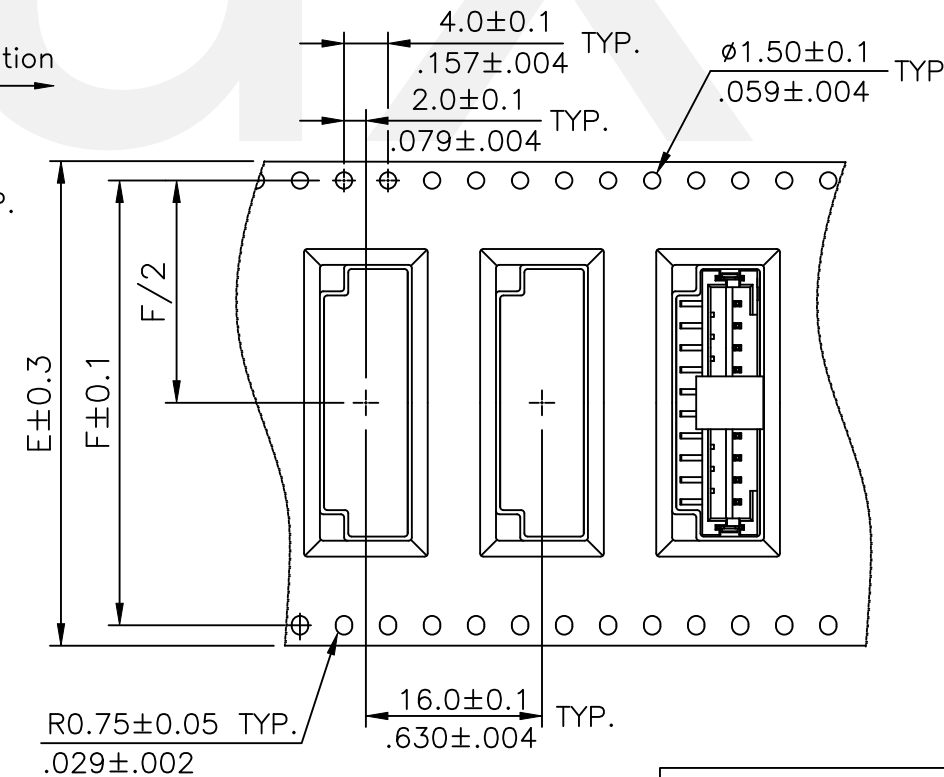
NOTE :

- * Reel Material : HIPS
- * Carrier Material : Transparent Anti-static Polystyrene.
- * Cover Tape Material : Polyester
- * Cover Tape Peel Strength : 0.1N – 1.3N
- * Carrier camber is within 1mm in 100mm
- * All dimensions meet EIA-481 requirements.
- * Quantity : 500 PCS/Reel

Circuits	Dimension					Packing (Reel/Carton)
	E	F	W1	W2	W3	
2~4	24.0(.945)	-	24.5(.965)	30.5(1.200)	24.5(.965)	9
5~7	32.0(1.260)	28.40(1.118)	32.5(1.280)	38.5(1.516)	32.5(1.280)	7
8~14	44.0(1.732)	40.40(1.596)	44.4(1.748)	50.4(1.984)	44.4(1.748)	5
15	56.0(2.205)	52.40(2.062)	56.5(2.224)	62.5(2.460)	56.5(2.224)	4



WIDTH : 24 mm Carrier



WIDTH : 32,44,56 mm Carrier

RoHS Compliant

SYM	NAME	DATE	REVISIONS	APPROVED BY:	DATE	UNIT:	TITLE:	CviLux Corporation			
7	Yan	1/16-26'	ECRQ125045/ECNT126006			mm / inch	2.00mm PITCH TOP ENTRY	瀚荃股份有限公司 CviLux Corporation			
6	Sun	6/10-21'	ECRH121018/ECNT121139	DRAWN BY: Yan	1/16-26'	TOLERANCE UNLESS OTHERWISE SPECIFIED	SMT HEADER				
5	Sun	1/06-21'	ECRT120085/ECNT120316	ENGINEER: Sun	1/16-26'	.X ±	MATERIAL:	DRAWING NO.	CI0123AH	PART NO.	CI01**M*V*0-NH
4	Ken	4/11-18'	ECNT118070/ECRH118010	CHECKED BY: Eisley	1/16-26'	.XX ±	FINISH: ACL1348	SCALE		SHEET	2 OF 2
				APPROVED BY: Eisley	1/16-26'	.XXX ±					

CviLux Corp
 2026-04-13
 ISSUED