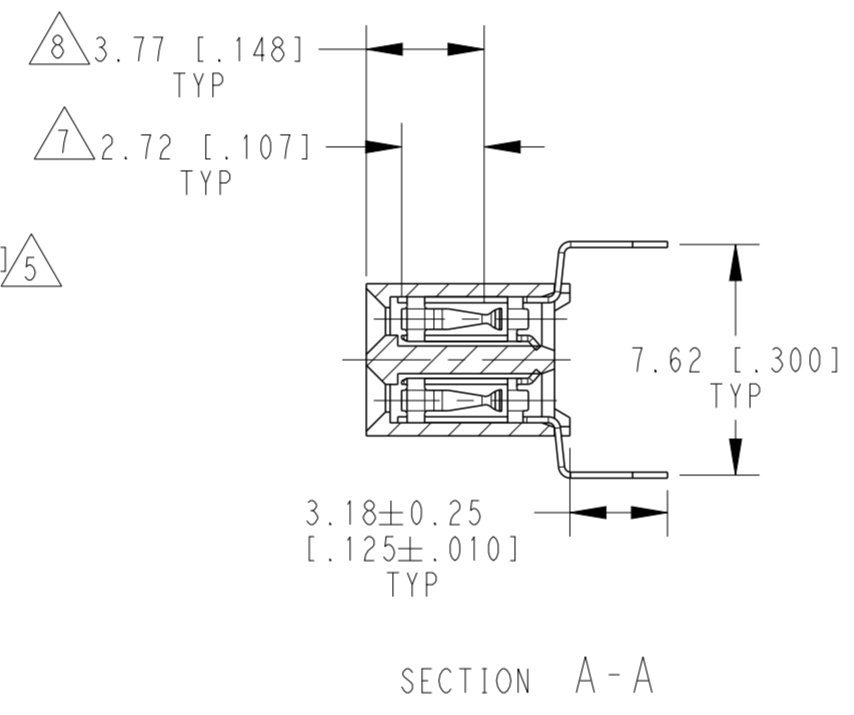
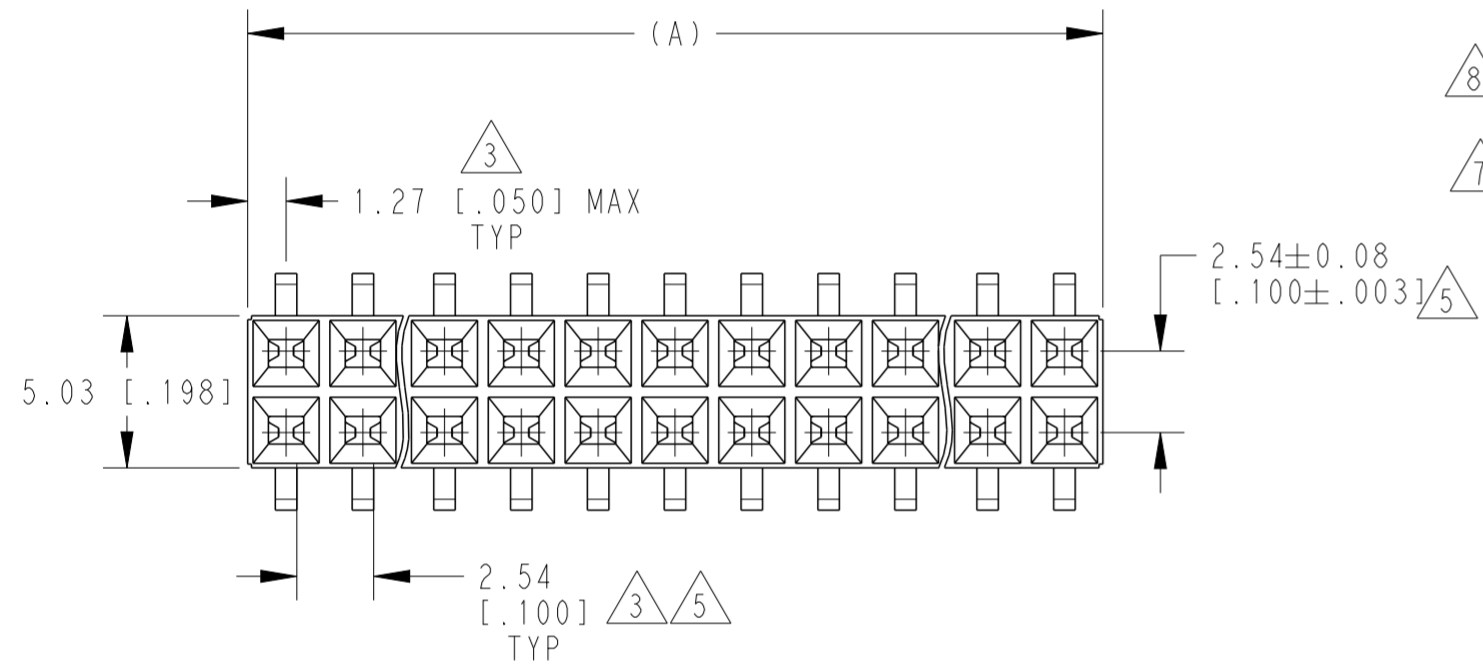
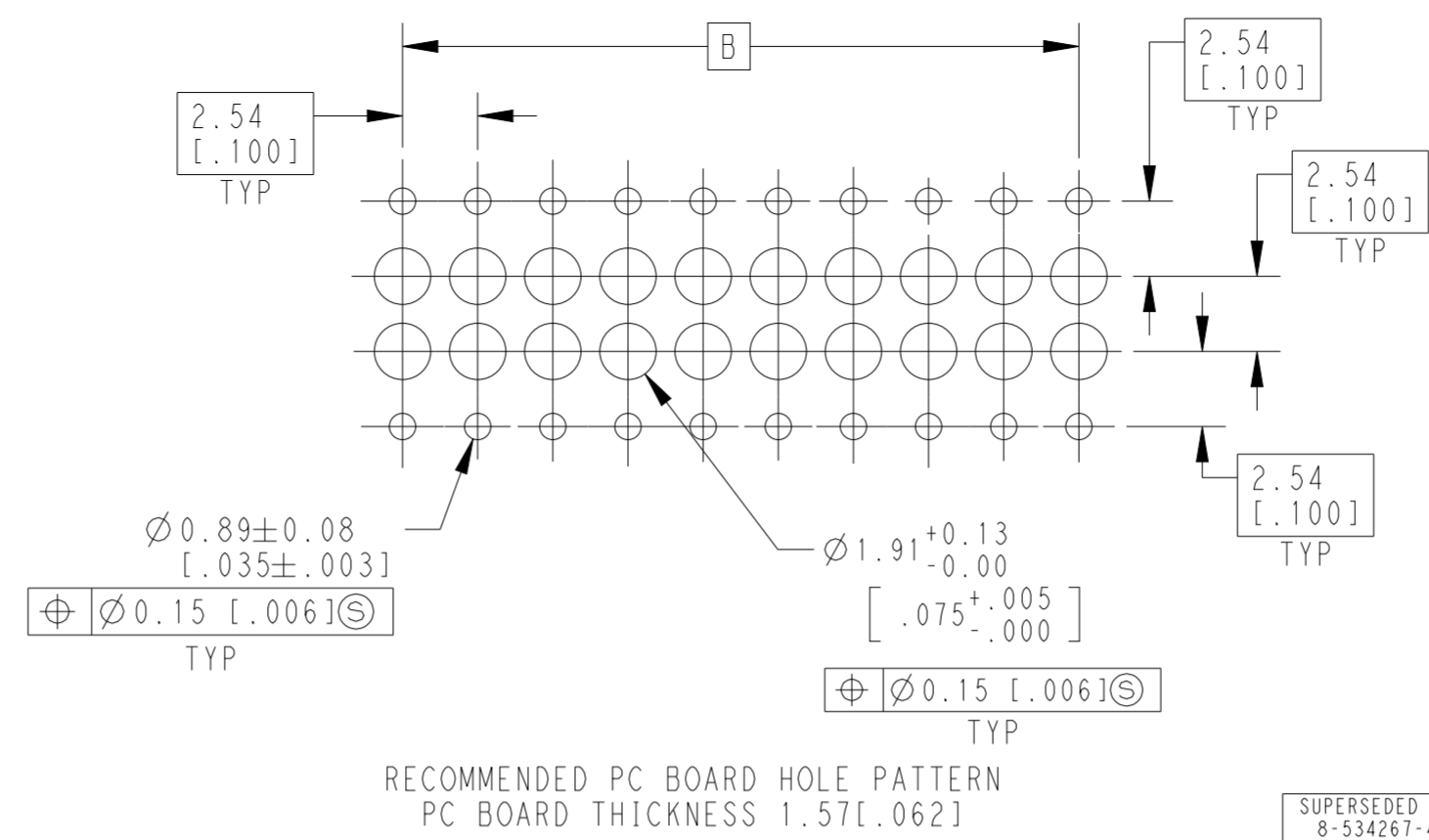
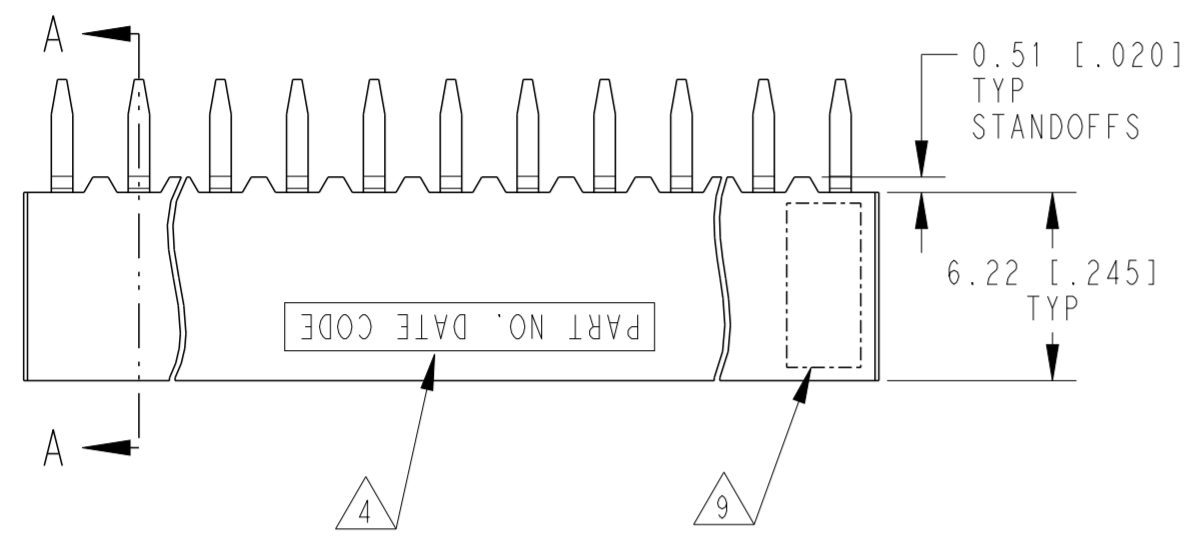


REVISIONS					
P	LTR	DESCRIPTION	DATE	DWN	APVD
AC		RESIN SUPPLIER CHANGE FOR THE HOUSING	03DEC2021	SCB	KJK
AD		RIB FEATURE IS ADDED IN THE STANDOFF FEATURE	19FEB2026	RS	GVP



FINISH	B	A	NO OF POSN	PART NUMBER
2	96.52[3.800]	99.06[3.900]	78	4-534267-0
2	91.44[3.600]	93.98[3.700]	74	3-534267-9
2	88.90[3.500]	91.44[3.600]	72	3-534267-8
2	86.36[3.400]	88.90[3.500]	70	3-534267-7
2	83.82[3.300]	86.36[3.400]	68	3-534267-6
2	81.28[3.200]	83.82[3.300]	66	3-534267-5
2	78.74[3.100]	81.28[3.200]	64	3-534267-4
2	76.20[3.000]	78.74[3.100]	62	3-534267-3
2	71.12[2.800]	73.66[2.900]	58	3-534267-2
2	68.58[2.700]	71.12[2.800]	56	3-534267-1
2	66.04[2.600]	68.58[2.700]	54	3-534267-0
2	63.50[2.500]	66.04[2.600]	52	2-534267-9
2	55.88[2.200]	58.42[2.300]	46	2-534267-8
2	53.34[2.100]	55.88[2.200]	44	2-534267-7
2	50.80[2.000]	53.34[2.100]	42	2-534267-6
2	45.72[1.800]	48.26[1.900]	38	2-534267-5
2	40.64[1.600]	43.18[1.700]	34	2-534267-4
2	38.10[1.500]	40.64[1.600]	32	2-534267-3
2	33.02[1.300]	35.56[1.400]	28	2-534267-2
2	25.40[1.000]	27.94[1.100]	22	2-534267-1
2	12.70[.500]	15.24[.600]	12	2-534267-0
2	17.78[.700]	20.32[.800]	16	1-534267-9
2	60.96[2.400]	63.50[2.500]	50	1-534267-8
2	2.54[.100]	5.08[.200]	4	1-534267-7
2	93.98[3.700]	96.52[3.800]	76	1-534267-6
2	43.18[1.700]	45.72[1.800]	36	1-534267-5
2	5.08[.200]	7.62[.300]	6	1-534267-4
10	OBSOLETE	2.54[.100]	2	1-534267-3
2	35.56[1.400]	38.10[1.500]	30	1-534267-2
2	58.42[2.300]	60.96[2.400]	48	1-534267-1
2	20.32[.800]	22.86[.900]	18	1-534267-0
2	27.94[1.100]	30.48[1.200]	24	534267-9
2	73.66[2.900]	76.20[3.000]	60	534267-8
2	48.26[1.900]	50.80[2.000]	40	534267-7
2	30.48[1.200]	33.02[1.300]	26	534267-6
10	7.62[.300]	10.16[.400]	8	534267-5
2	99.06[3.900]	101.60[4.000]	80	534267-4
10	10.16[.400]	12.70[.500]	10	534267-3
2	22.86[.900]	25.40[1.000]	20	534267-2
2	15.24[.600]	17.78[.700]	14	534267-1

- 1 HOUSING: FLAME RETARDANT, GLASS FILLED, POLYESTER, COLOR: BLACK. CONTACT: PHOSPHOR BRONZE
- 2 CONTACT: DUPLEX PLATED 0.00076[.000030] MIN GOLD IN CONTACT AREA, 0.00381-0.00762[.000150 -.000300] BRIGHT TIN-LEAD ON LEADS, ALL OVER 0.00127[.000050] MINIMUM NICKEL.
- 3 THESE DIMENSIONS PERTAIN TO CAVITY CENTERLINES ONLY - NOT TO CONTACT LOCATIONS
- 4 PART NUMBER AND DATE CODE ARE MARKED IN APPROXIMATE LOCATION SHOWN, EITHER SIDE.
- 5 TOLERANCE IS NON-CUMULATIVE.
- 6 2 POSITION DATE CODE IS MARKED OPPOSITE SIDE OF TE CONNECTIVITY LOGO.
- 7 POINT-OF-MEASUREMENT DIMENSION FOR PLATING THICKNESS (INSIDE CONTACT BEAM).
- 8 POINT-OF-CONTACT DIMENSION.
- 9 TE CONNECTIVITY TRADEMARK AND CSA LOGO ARE MOLDED INTO HOUSING, THIS LOCATION.
- 10 NO PART NUMBER MARKING REQUIRED FOR THIS PART.
- 11 CONTACT: DUPLEX PLATED 0.00076[.000030] MIN GOLD IN CONTACT AREA, 0.00381-0.00762[.000150 -.000300] MATTE TIN ON LEADS, ALL OVER 0.00127[.000050] MINIMUM NICKEL.
- 12 ROHS 2002/95/EC COMPLIANT


THIS DRAWING IS A CONTROLLED DOCUMENT.

DIMENSIONS: mm [INCHES]	TOLERANCES UNLESS OTHERWISE SPECIFIED: 0 PLC ± 1 PLC ± 2 PLC ±0.13[.005] 3 PLC ± 4 PLC ± ANGLES ± FINISH	DWN M. BINNER 06NOV02 CHK J. OLSON 06NOV02 APVD J. OLSON 06NOV02	TE Connectivity	
MATERIAL 1	SEE TABLE	PRODUCT SPEC 108-25022 APPLICATION SPEC 114-25018	NAME RECEPTACLE ASSEMBLY, MOD IV, DOUBLE ROW, DUAL ENTRY, .100X.100CL, VERTICAL MOUNT, AMPMODU SIZE A2 CAGE CODE 00779 DRAWING NO C-534267 RESTRICTED TO	
CUSTOMER DRAWING		WEIGHT -	SCALE 4:1	SHEET 1 OF 2 REV AD

REVISIONS					
P	LTR	DESCRIPTION	DATE	DWN	APVD
-		SEE SHEET 1	-	-	-

↑↑	96.52[3.800]	99.06[3.900]	78	↑	9-534267-0
↑↑	91.44[3.600]	93.98[3.700]	74	↑	8-534267-9
↑↑	88.90[3.500]	91.44[3.600]	72	↑	8-534267-8
↑↑	86.36[3.400]	88.90[3.500]	70	↑	8-534267-7
↑↑	83.82[3.300]	86.36[3.400]	68	↑	8-534267-6
↑↑	81.28[3.200]	83.82[3.300]	66	↑	8-534267-5
↑↑	78.74[3.100]	81.28[3.200]	64	↑	8-534267-4
↑↑	76.20[3.000]	78.74[3.100]	62	↑	8-534267-3
↑↑	71.12[2.800]	73.66[2.900]	58	↑	8-534267-2
↑↑	68.58[2.700]	71.12[2.800]	56	↑	8-534267-1
↑↑	66.04[2.600]	68.58[2.700]	54	↑	8-534267-0
↑↑	63.50[2.500]	66.04[2.600]	52	↑	7-534267-9
↑↑	55.88[2.200]	58.42[2.300]	46	↑	7-534267-8
↑↑	53.34[2.100]	55.88[2.200]	44	↑	7-534267-7
↑↑	50.80[2.000]	53.34[2.100]	42	↑	7-534267-6
↑↑	45.72[1.800]	48.26[1.900]	38	↑	7-534267-5
↑↑	40.64[1.600]	43.18[1.700]	34	↑	7-534267-4
↑↑	38.10[1.500]	40.64[1.600]	32	↑	7-534267-3
↑↑	33.02[1.300]	35.56[1.400]	28	↑	7-534267-2
↑↑	25.40[1.000]	27.94[1.100]	22	↑	7-534267-1
↑↑	12.70[.500]	15.24[.600]	12	↑	7-534267-0
↑↑	17.78[.700]	20.32[.800]	16	↑	6-534267-9
↑↑	60.96[2.400]	63.50[2.500]	50	↑	6-534267-8
↑	2.54[.100]	5.08[.200]	4	↑	6-534267-7
↑↑	93.98[3.700]	96.52[3.800]	76	↑	6-534267-6
↑↑	43.18[1.700]	45.72[1.800]	36	↑	6-534267-5
↑	5.08[.200]	7.62[.300]	6	↑	6-534267-4
↑	2.54[.100]	5.08[.200]	2	↑	6-534267-3
↑↑	35.56[1.400]	38.10[1.500]	30	↑	6-534267-2
↑↑	58.42[2.300]	60.96[2.400]	48	↑	6-534267-1
↑↑	20.32[.800]	22.86[.900]	18	↑	6-534267-0
↑↑	27.94[1.100]	30.48[1.200]	24	↑	5-534267-9
↑↑	73.66[2.900]	76.20[3.000]	60	↑	5-534267-8
↑↑	48.26[1.900]	50.80[2.000]	40	↑	5-534267-7
↑↑	30.48[1.200]	33.02[1.300]	26	↑	5-534267-6
↑	7.62[.300]	10.16[.400]	8	↑	5-534267-5
↑	99.06[3.900]	101.60[4.000]	80	↑	5-534267-4
↑	10.16[.400]	12.70[.500]	10	↑	5-534267-3
↑	22.86[.900]	25.40[1.000]	20	↑	5-534267-2
↑	15.24[.600]	17.78[.700]	14	↑	5-534267-1
FINISH	B	A	NO OF POSN	PART NUMBER	

6/10 OBSOLETE

THIS DRAWING IS A CONTROLLED DOCUMENT.		DWN M. BINNER 06NOV02	 TE Connectivity		
DIMENSIONS: mm [INCHES]		CHK J. OLSON 06NOV02			
TOLERANCES UNLESS OTHERWISE SPECIFIED:		APVD J. OLSON 06NOV02	NAME RECEPTACLE ASSEMBLY, MOD IV, DOUBLE ROW, DUAL ENTRY, .100X.100CL, VERTICAL MOUNT, AMPMODU		
0 PLC ± 1 PLC ± 2 PLC ±0.13[.005] 3 PLC ± 4 PLC ± ANGLES ± FINISH SEE TABLE		PRODUCT SPEC 108-25022	SIZE A2	CAGE CODE 00779	DRAWING NO G-534267
MATERIAL 1		APPLICATION SPEC 114-25018	RESTRICTED TO	SCALE 5:1 SHEET 2 OF 2 REV AD	
		WEIGHT -	CUSTOMER DRAWING		