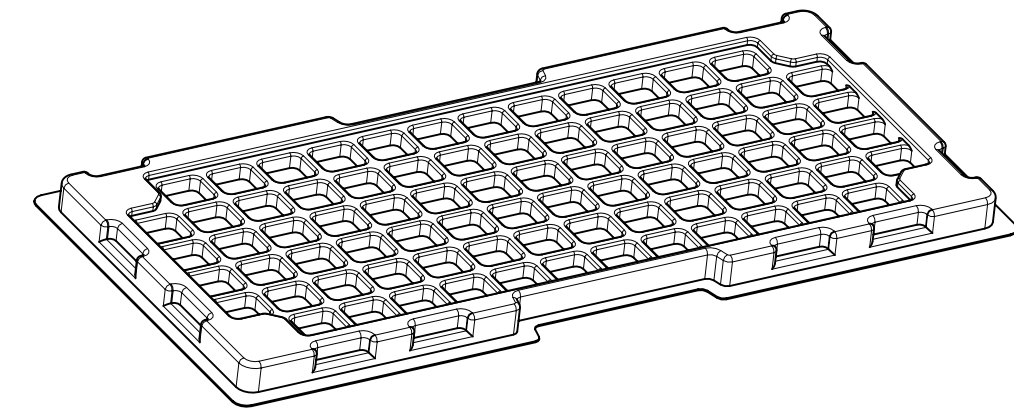
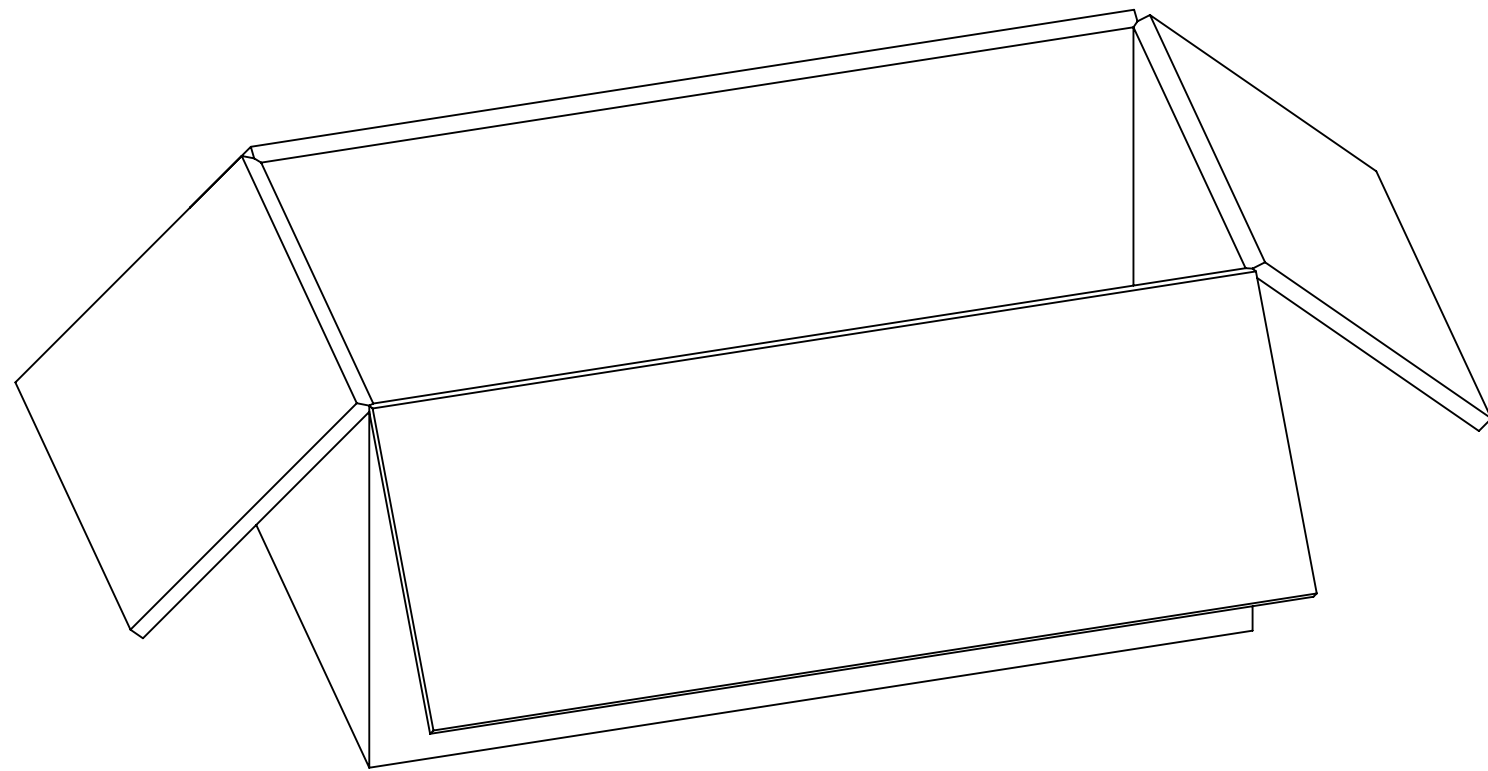


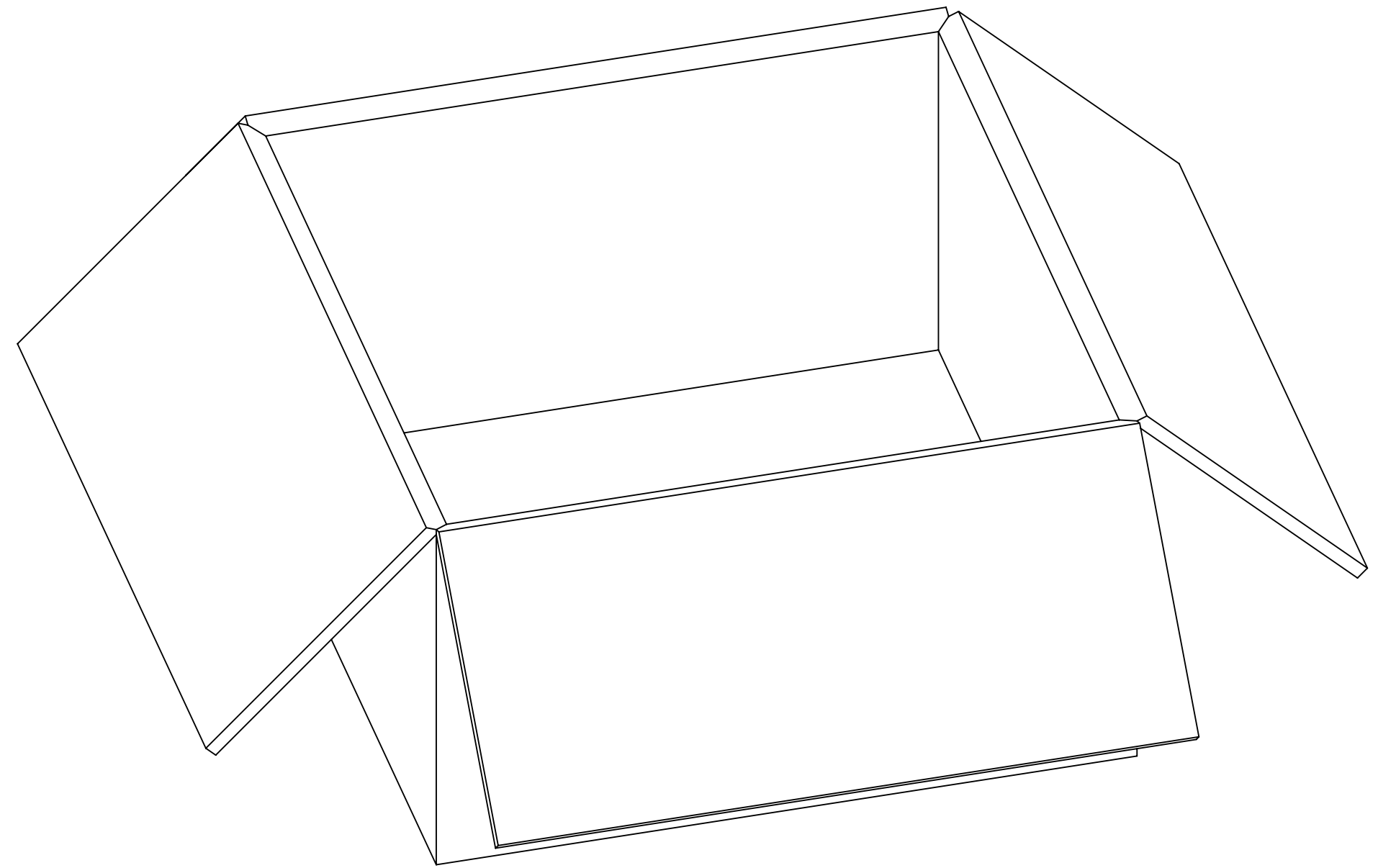
PRODUCT  
PN-XXXXX-XXXX



80 SETS PER TRAY  
P/N: 89707-0190



1600 SETS PER INNER  
CARTON BOX  
P/N: 96707-0001



3200 SETS PER OUTER  
CARTON BOX  
P/N: 96708-0005

<b>FUNCTIONAL SYMBOLS</b> $\nabla_A = 0$ $\nabla_C = 0$ $\nabla_P = 0$ <b>DIVISIONAL SYMBOLS</b> 3 PLACES ± 2 PLACES ± 1 PLACE ± 0 PLACES ±	THIS DRAWING CONTAINS INFORMATION THAT IS PROPRIETARY TO MOLEX ELECTRONIC TECHNOLOGIES, LLC AND SHOULD NOT BE USED WITHOUT WRITTEN PERMISSION			
	<b>MM</b> <b>NTS</b>	CURRENT REV DESC: PACKING PART		
	GENERAL TOLERANCES (UNLESS SPECIFIED)			
	ANGULAR TOL ± 0.5°			
	DRAFT WHERE APPLICABLE MUST REMAIN WITHIN DIMENSIONS			
STATUS: Design Approved DRWN: Jason YS Su      2024-01-15 CHK'D: Darry Cheng    2024-01-17 APPR: Darry Cheng     2024-01-17		<b>molex</b> PACKAGING SPECIFICATION (TRAY 0190) PRODUCT SALES DRAWING		
DRAFT WHERE APPLICABLE MUST REMAIN WITHIN DIMENSIONS		THIRD ANGLE PROJECTION 	DRAWING <b>C-SIZE</b>	SERIES <b>89542</b>
DOCUMENT NUMBER <b>895420040</b>		DOC TYPE <b>PSD</b>	DOC PART <b>000</b>	REVISION <b>A1</b>
MATERIAL NUMBER -----		CUSTOMER		SHEET NUMBER <b>1 OF 1</b>

MATERIALS AND FINISHES

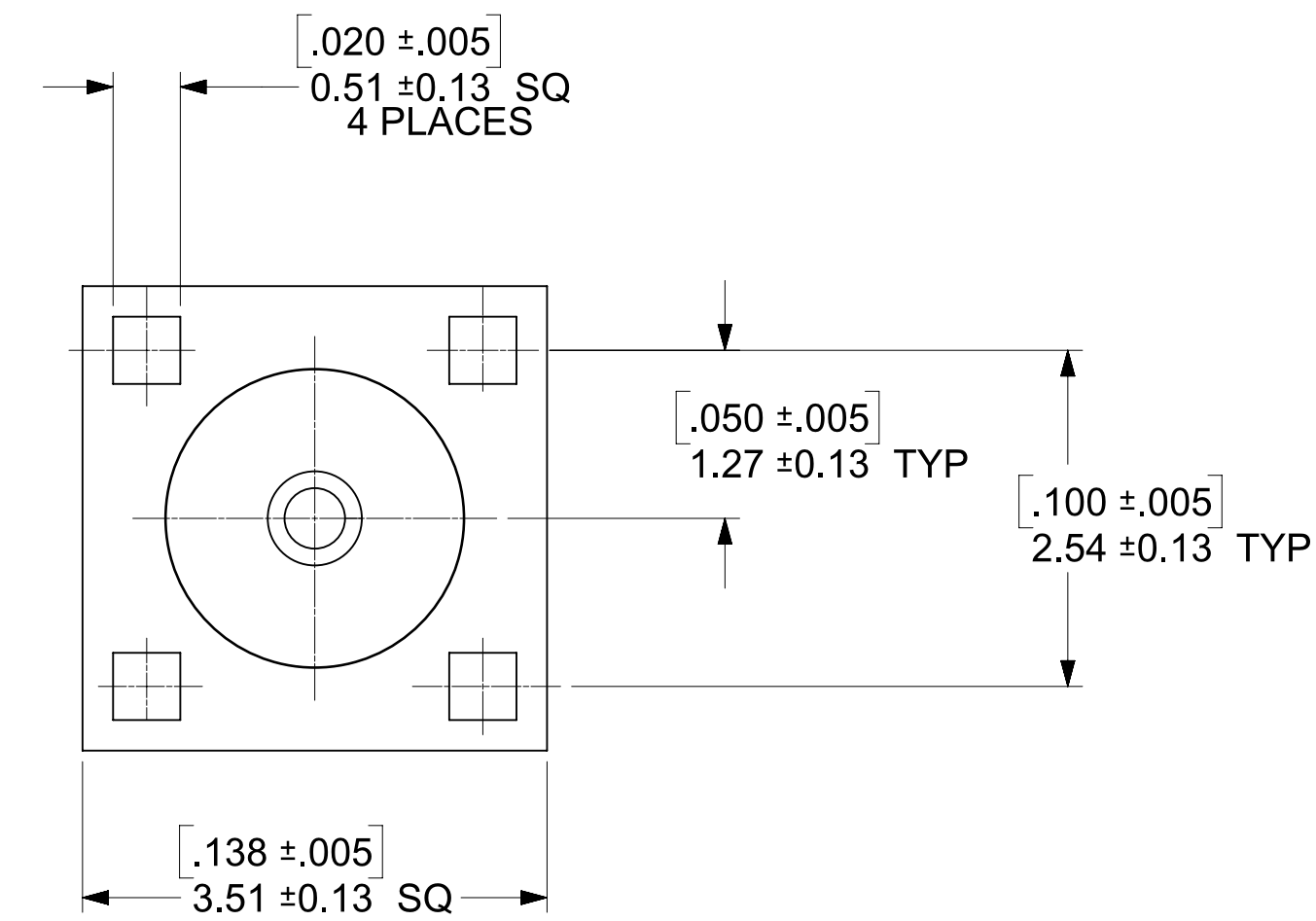
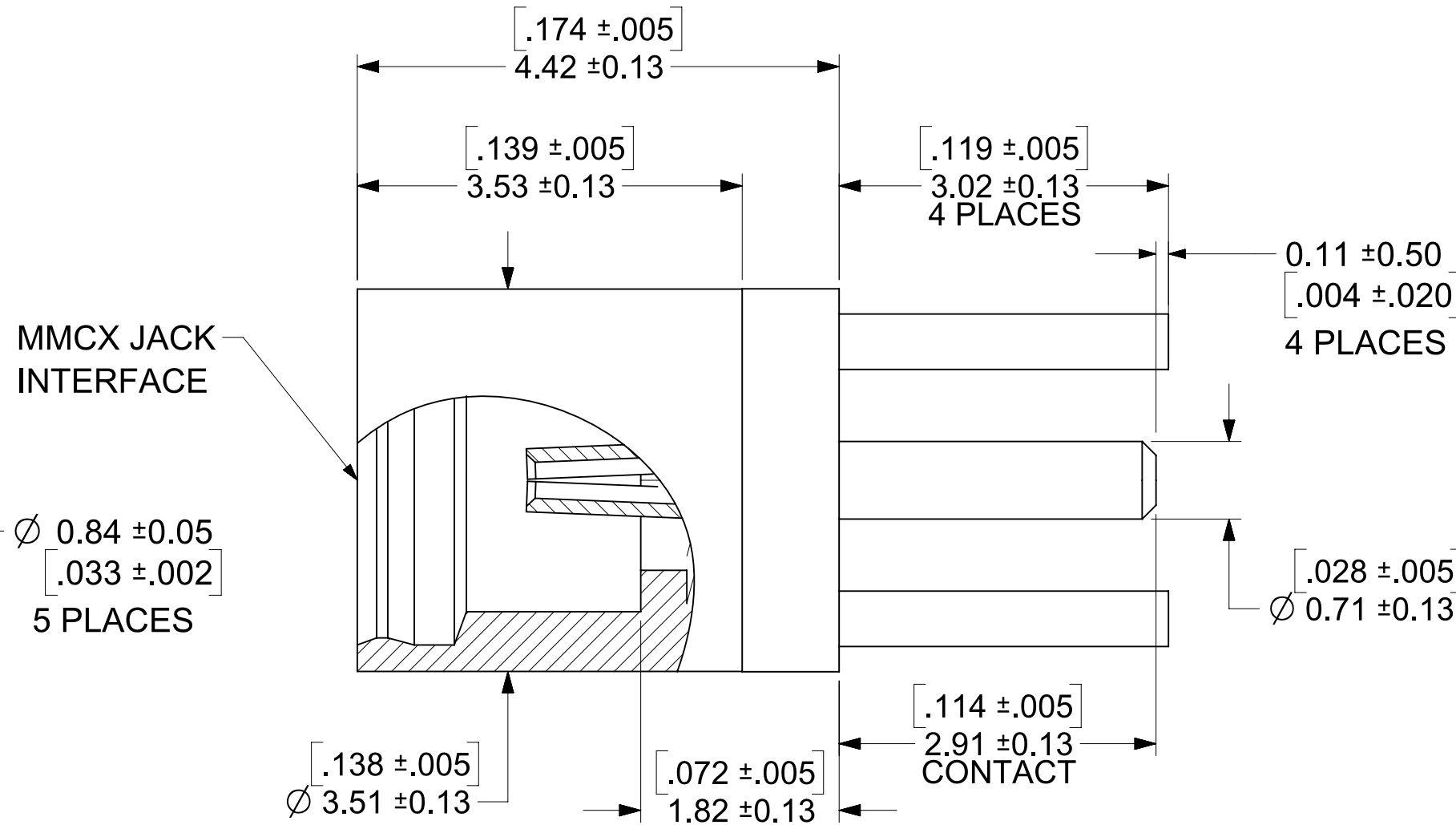
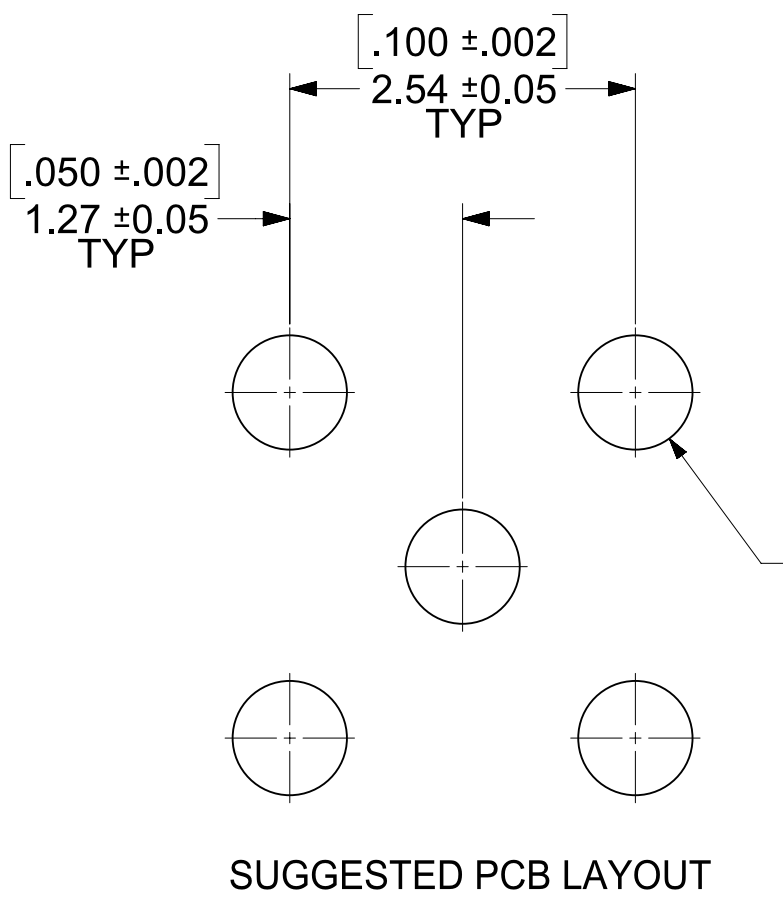
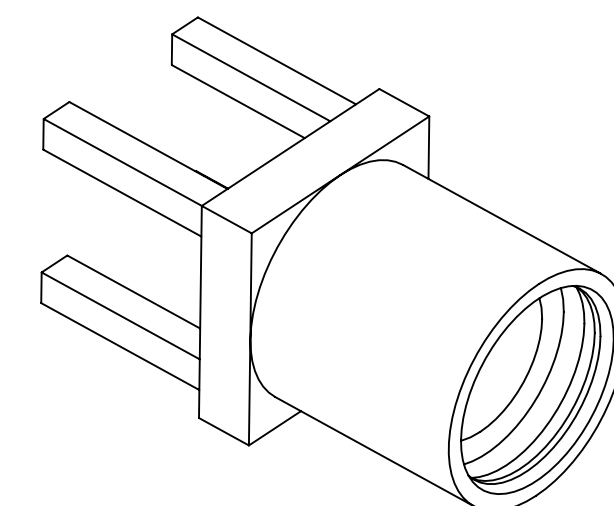
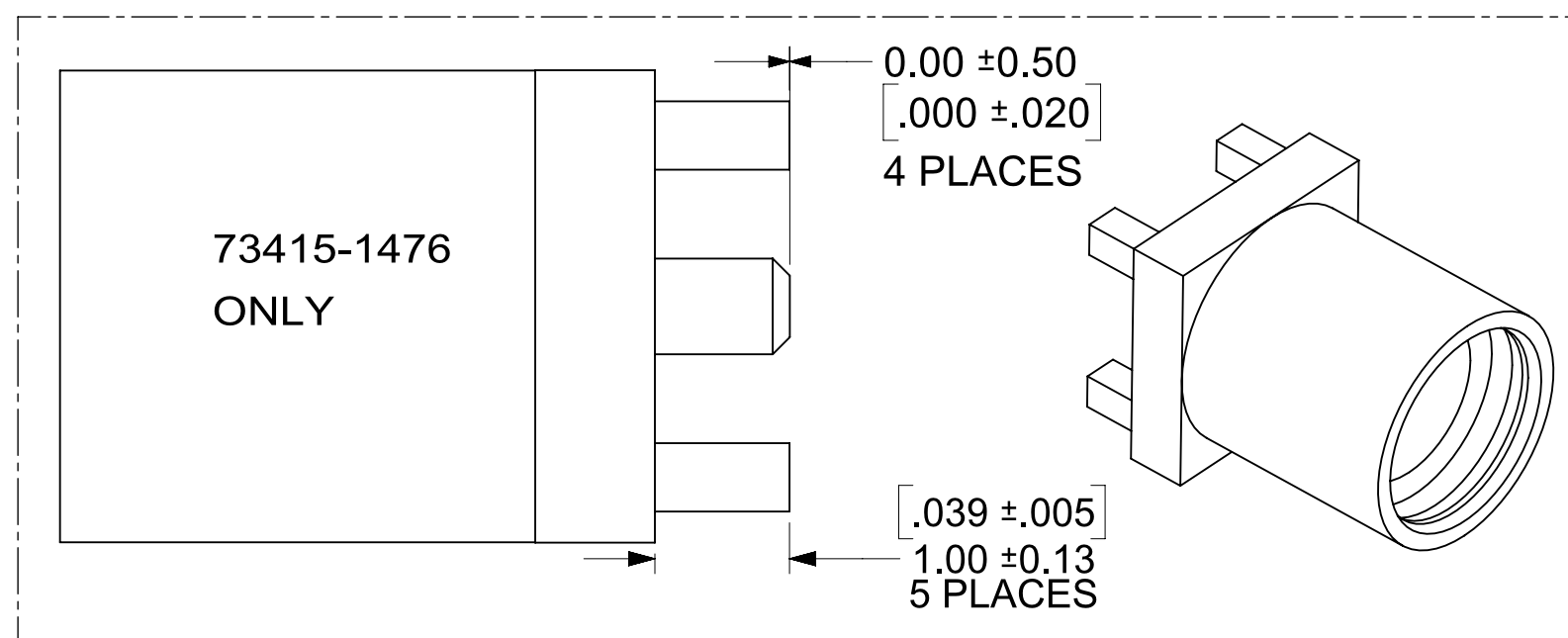
BODY SEE TABLE  
PLATED SEE TABLE

CENTER CONTACT BERYLLIUM COPPER  
PLATED SEE TABLE

INSULATOR TEFLON

NOTE  
PART # 73415-1473 IS

NON-MAGNETIC



73414-0990	P/N 73415-1471 , TAPE AND REEL WITHOUT KAPTON TAPE ( SEE 89542-0450 DRAWING )	3500	BRASS/GOLD 1u" (COMMERCIAL)	GOLD 30u"
73415-1477	TRAY ( SEE 89542-0040 DRAWING)	3200	BRASS/GOLD 1u" (COMMERCIAL)	GOLD 1u"
73415-1476	TRAY (1.00 MM LEG LENGTHS) ( SEE 89542-0040 DRAWING)	3200	BRASS/GOLD 1u" (COMMERCIAL)	GOLD 30u"
73415-1475	P/N 73415-1471 , TAPE AND REEL WITH KAPTON TAPE (SEE 89542-0440 DRAWING)	4900	BRASS/GOLD 1u" (COMMERCIAL)	GOLD 30u"
73415-1474	TRAY ( SEE 89542-0040 DRAWING)	3200	BRASS/GOLD 1u" (COMMERCIAL)	GOLD 30u"
73415-1473	BAG ( SEE 89542-0103 DRAWING)	4000	BeCu/GOLD 8u" (NON MAGNETIC)	GOLD 30u"
73415-1472	P/N 73415-1471, ONE PER BAG ( SEE 89542-0510 DRAWING)	1000	BRASS/GOLD 1u" (COMMERCIAL)	GOLD 30u"
73415-1471	BAG ( SEE 89542-0102 DRAWING)	4000	BRASS/GOLD 1u" (COMMERCIAL)	GOLD 30u"
73415-1470	BAG ( SEE 89542-0102 DRAWING)	4000	BRASS/ GOLD 30u" (MILITARY)	GOLD 50u"
PART NO.	PACKAGING	DU	MATERIAL/PLATING (BODY)	PLATING (CENTER CONTACT)

CECC 22 340	INTERFACE
PS-89675-1920	ELECTRO/MECH PER.
SPECIFICATION	DESCRIPTION

THIS DRAWING CONTAINS INFORMATION THAT IS PROPRIETARY TO MOLEX ELECTRONIC TECHNOLOGIES, LLC AND SHOULD NOT BE USED WITHOUT WRITTEN PERMISSION

FUNCTIONAL SYMBOLS: FA=0, FC=0, FP=0

DIMENSION UNITS: MM/INCH, SCALE: NTS

GENERAL TOLERANCES (UNLESS SPECIFIED): ANGULAR TOL ± 2'

DIVISIONAL SYMBOLS: 4 PLACES ±, 3 PLACES ±, 2 PLACES ±, 1 PLACE ±, 0 PLACES ±

DRAFT WHERE APPLICABLE MUST REMAIN WITHIN DIMENSIONS

THIRD ANGLE PROJECTION

DRAWING: C-SIZE

SERIES: 73415

STATUS: Production  
DRWN: Evita Lin  
CHK'D: Kerrie Chen  
APPR: Ricky Yeh

2026-02-26  
2026-03-06  
2026-03-06

PRODUCT CUSTOMER DRAWING

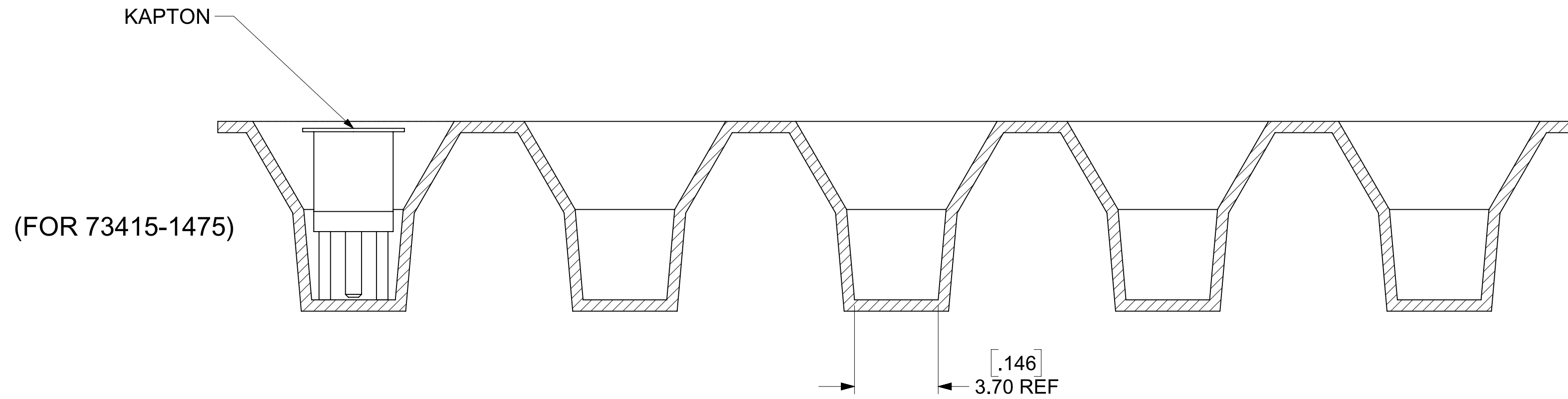
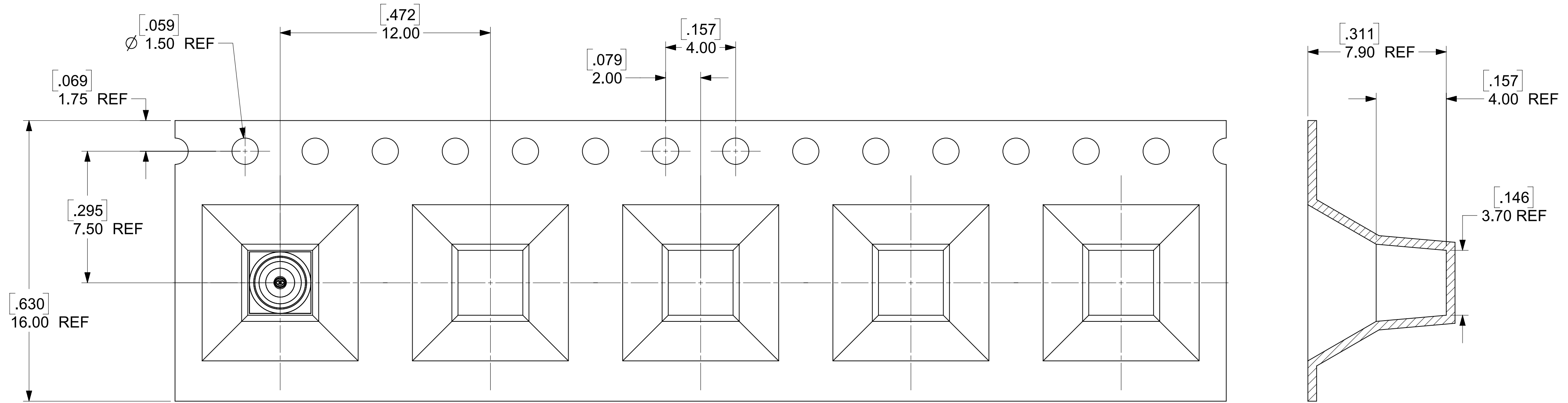
DOCUMENT NUMBER: SD-73415-147

DOC TYPE: PSD, DOC PART: 001, REVISION: D

MATERIAL NUMBER: SEE TABLE, CUSTOMER: GENERAL MARKET, SHEET NUMBER: 1 OF 3

ORIGINAL DRAWN BY TEF 2000/01/14

NOTE  
DIMENSIONS ARE PROVIDED FOR REFERENCE ONLY



<b>FUNCTIONAL SYMBOLS</b> $F_A = 0$ $F_C = 0$ $F_P = 0$ <b>DIVISIONAL SYMBOLS</b>	THIS DRAWING CONTAINS INFORMATION THAT IS PROPRIETARY TO MOLEX ELECTRONIC TECHNOLOGIES, LLC AND SHOULD NOT BE USED WITHOUT WRITTEN PERMISSION		<b>molex</b>  MMCX JACK, PCB MOUNT 50 OHMS MMCX-J/PCB  PRODUCT CUSTOMER DRAWING				
	DIMENSION UNITS	SCALE				DOCUMENT NUMBER	DOC TYPE
	MM/INCH	NTS	SD-73415-147	PSD	001	D	
	GENERAL TOLERANCES (UNLESS SPECIFIED)		STATUS: Production	2026-02-26			
ANGULAR TOL ± 2°		DRWN: Evita Lin	2026-03-06				
4 PLACES ±		CHK'D: Kerrie Chen	2026-03-06				
3 PLACES ±		APPR: Ricky Yeh					
2 PLACES ±							
1 PLACE ±							
0 PLACES ±							
DRAFT WHERE APPLICABLE MUST REMAIN WITHIN DIMENSIONS		THIRD ANGLE PROJECTION	DRAWING	SERIES	MATERIAL NUMBER	CUSTOMER	SHEET NUMBER
			C-SIZE	73415	SEE TABLE	GENERAL MARKET	2 OF 3

13" REEL SIZE

$12.993 \pm .020$   
 $\varnothing 330.02 \pm 0.51$

$.647$   
 16.43 MIN

$.502$   
 $\varnothing 12.75$  REF

250 MM EMPTY MIN


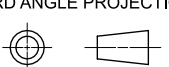
250 MM EMPTY MIN

ORDER QUANTITY PACKED

230.00 MIN

LABEL

- ORDER NO.
- QUANTITY
- PART NO.
- LOT NO.

FUNCTIONAL SYMBOLS $F_A = 0$ $F_C = 0$ $F_P = 0$ DIVISIONAL SYMBOLS 3 PLACES $\pm$ 2 PLACES $\pm$ 1 PLACE $\pm$ 0 PLACES $\pm$	THIS DRAWING CONTAINS INFORMATION THAT IS PROPRIETARY TO MOLEX ELECTRONIC TECHNOLOGIES, LLC AND SHOULD NOT BE USED WITHOUT WRITTEN PERMISSION		CURRENT REV DESC: CHANGE 73415-1473 BODY PLATING GOLD 8u" WAS GOLD 10u" PER EWR-17671					
	DIMENSION UNITS	SCALE	 MMCX JACK, PCB MOUNT 50 OHMS MMCX-J/PCB PRODUCT CUSTOMER DRAWING					
	MM/INCH	NTS						
	GENERAL TOLERANCES (UNLESS SPECIFIED)							
ANGULAR TOL $\pm 2^\circ$		STATUS: Production DRWN: Evita Lin CHK'D: Kerrie Chen APPR: Ricky Yeh						
DRAFT WHERE APPLICABLE MUST REMAIN WITHIN DIMENSIONS		THIRD ANGLE PROJECTION	DRAWING	SERIES	DOCUMENT NUMBER	DOC TYPE	DOC PART	REVISION
			C-SIZE	73415	SD-73415-147	PSD	001	D
					2026-02-26			
					2026-03-06			
					2026-03-06			
					SEE TABLE	GENERAL MARKET		3 OF 3