

PRODUCT NUMBER

73347-Y04XXLF

RoHS COMPATIBLE
SEE NOTE 5

PACKAGING OPTION LETTER
SEE NOTE 4
(MAY BE SUBJECT TO TOOLING FEES)

EXTENDED RANGE

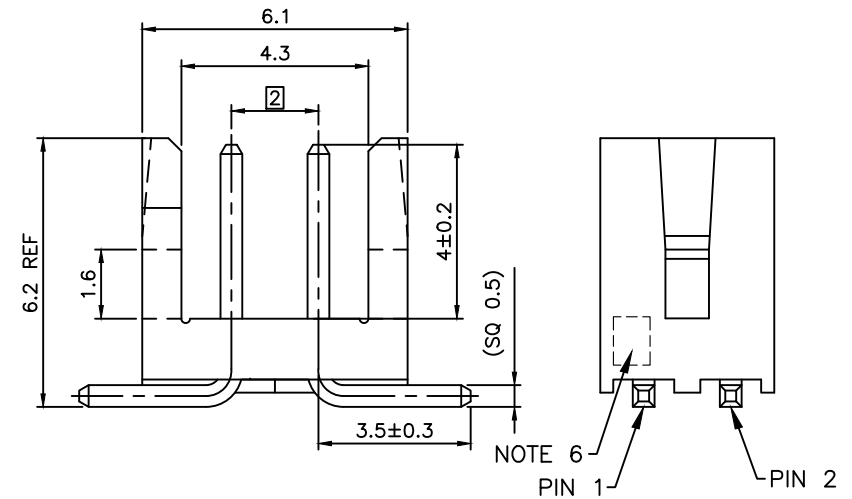
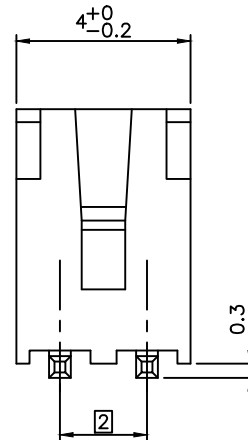
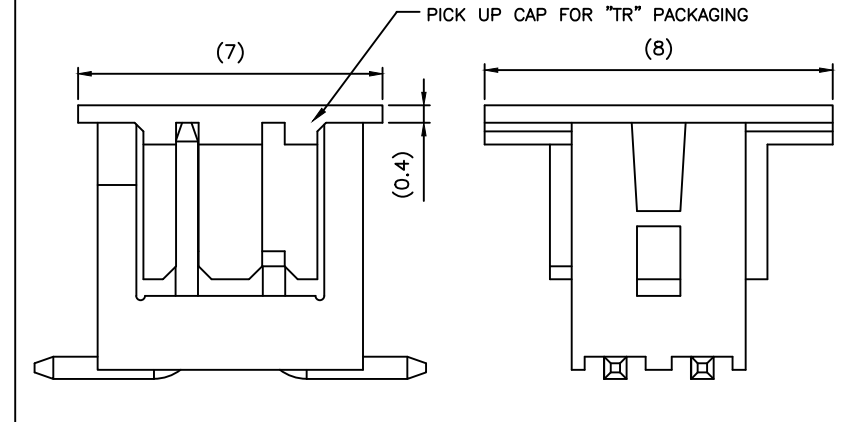
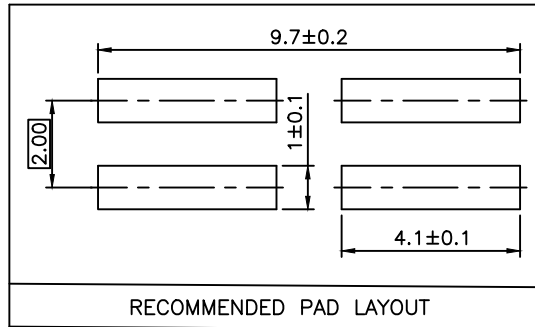
- TOOLING FEASIBILITY CONFIRMED
- SAMPLES ON DEMAND
- AVAILABILITY ON DEMAND

PLATING (AS AVAILABLE) SIZE: 2x2 POSITIONS

- 1 = 0.76µm GOLD/GXT ON CONTACT AREA
2µm MIN MATT TIN ON TAIL
- 7 = 0.76µm GOLD/GXT FULL PLATED
- 1.27µm MINIMUM NICKEL UNDERPLATING

NOTES:

- MATERIAL HOUSING: HIGH TEMP. THERMOPLASTIC UL 94V-0, COLOR CREAM
- MATERIAL TERMINAL: COPPER ALLOY
- 7N MIN. PIN RETENTION IN EITHER DIRECTION
- PACKAGING:
 - = PACKAGING IN POLYBAGS
 - TR = PACKAGING IN TAPE & REEL, WITH PICK-UP CAP
 - AV = PACKAGING IN TAPE & REEL, WITH PICK-UP CAP FOR CUSTOMER DEDICATED PART
- RoHS COMPATIBLE PRODUCT SPECIFICATIONS
 - PLATING:
 - "LF" MEANS THE PRODUCT IS LEAD-FREE, 2µm MINIMUM MATTE TIN OVER 1.27µm MINIMUM NICKEL UNDERPLATE.
 - MANUFACTURING PROCESS COMPATIBILITY
 - THE HOUSING WILL WITHSTAND EXPOSURE TO 260°C PEAK TEMPERATURE FOR 30 SECONDES MAX IN A CONVECTION, INFRA-RED OR VAPOR PHASE OR REFLOW OVEN.
 - LABELLING:
 - MEETS PACKAGING SPECS AS PER GS-14-920
 - THIS PRODUCT MEETS EUROPEAN DIRECTIVES AND OTHER COUNTRY REGULATIONS AS DISCRIBED IN GS-47-0004.
- PIN POS 1 RECOMMENDED ON THIS SIDE TO MATCH WITH HOUSING CODING.
- THIS PART SERIES IS NOT INITIALLY INTENDED FOR AUTOMOTIVE APPLICATIONS. ADDITIONAL FEES ARE CHARGEABLE FOR ANY ADDITIONAL QUALIFICATION AND TEST REPORTS PERFORMED OUTSIDE THE SCOPE OF THE STANDARD PRODUCT SPECIFICATIONS.
- UNLESS OTHERWISE APPROVED BY AMPHENOL, ALL PARTS AND COMPONENTS ARE DESIGNED & BUILT ACCORDING TO AMPHENOL'S SPECIFICATIONS WHICH ARE SUBJECT TO CHANGE WITHOUT NOTICE.



mat'l. code		surface		tolerance		projection		product family	
		ISO 1302		ISO 406 ISO 1101				MINITEK HEADER	
ltr		ecn no		date		tolerances unless otherwise specified		title	
K	B-19190	LMU	14.10.24			.X ±0.3		MINITEK	
L	F-36044	DDE	20.02.14	angles	linear	.XX ±0.15		HEADER 2x2	
M	F-42334	DDE	21.09.13			.XXX ±0.05		scale 6:1	
N	F-42402	DDE	21.09.20	dr	J.COMPAGNON	97.11.25		dwg no	
P	F-42588	LMU	21.10.13	enfr				sheet 1 of 1	
R	F-55057	DDE	25.03.20	chr				size	
				appd	J.COMPAGNON	98.03.20		73347	
sheet index		revision sheet						type	
								CUSTOMER Drawing	