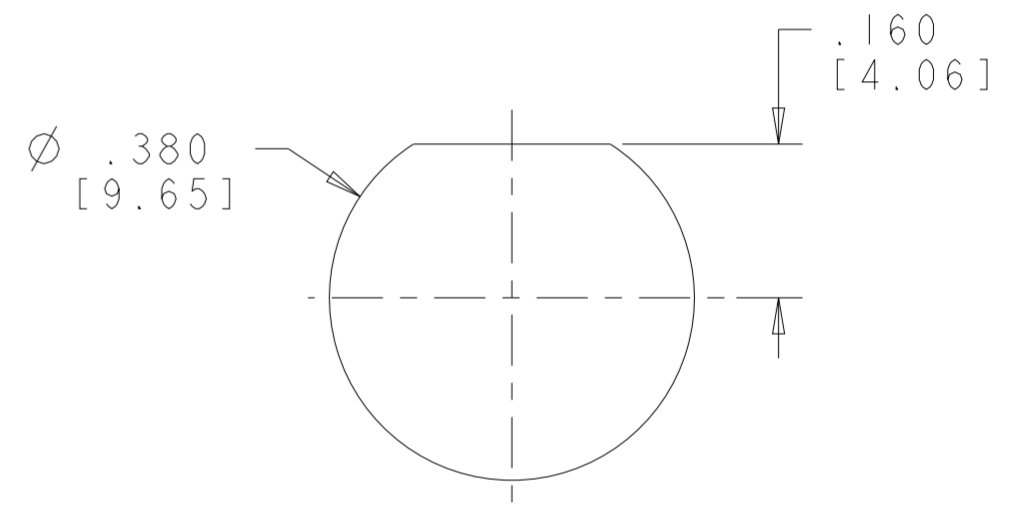
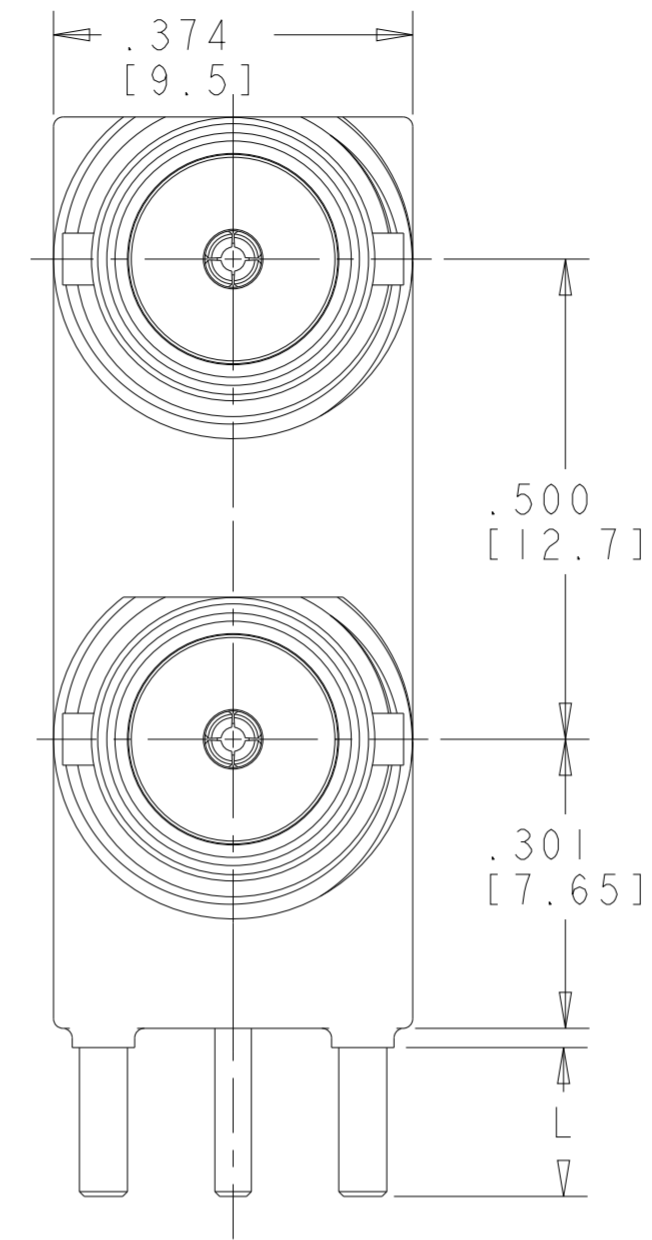
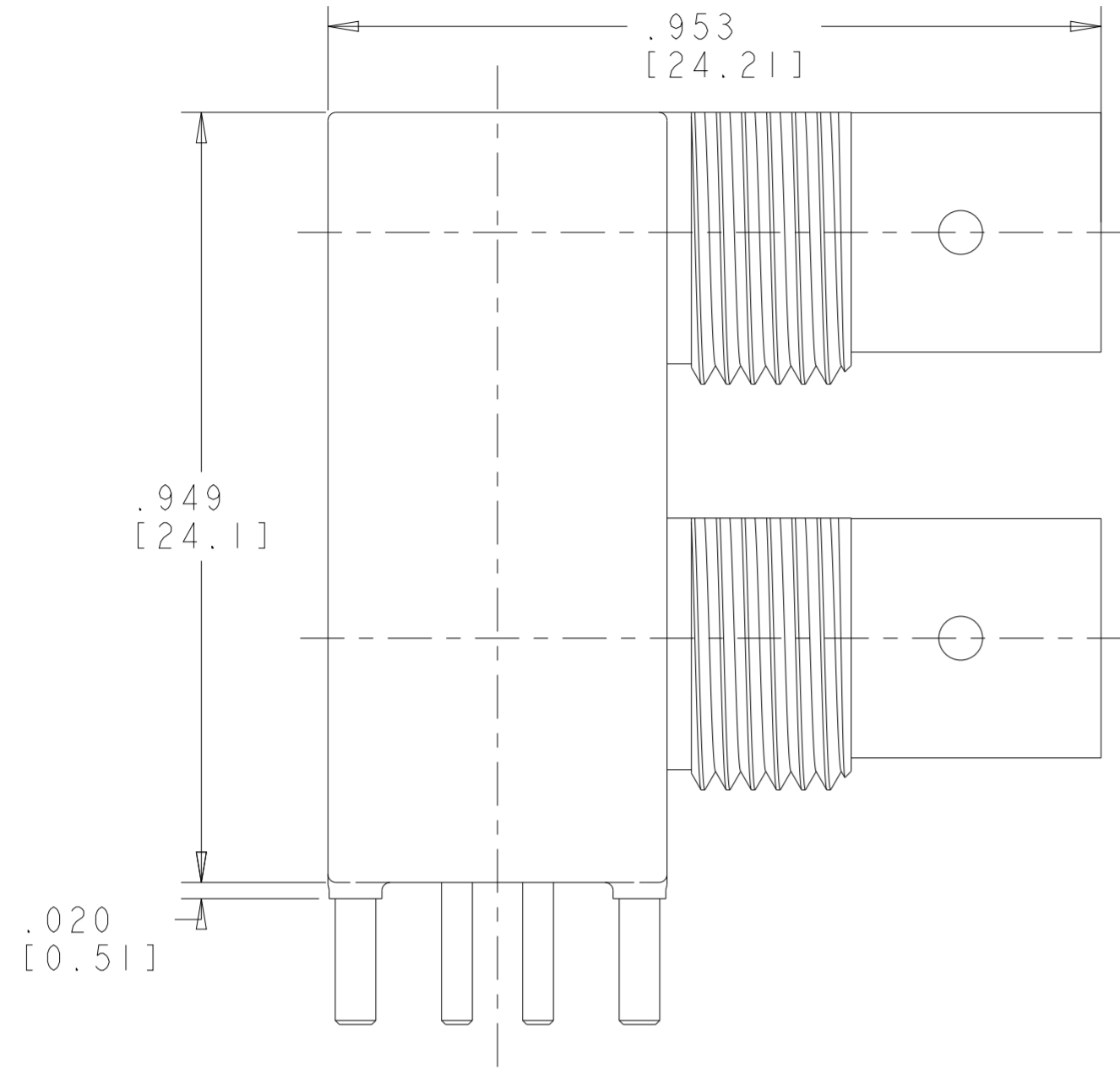
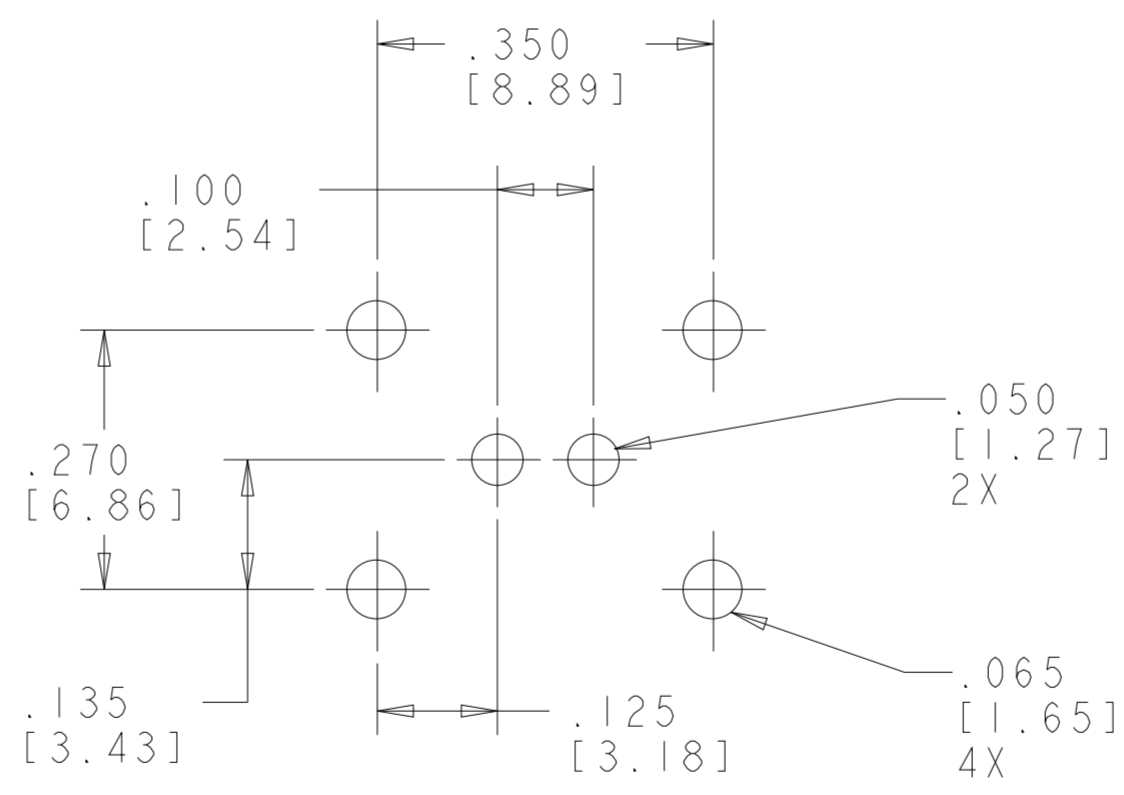
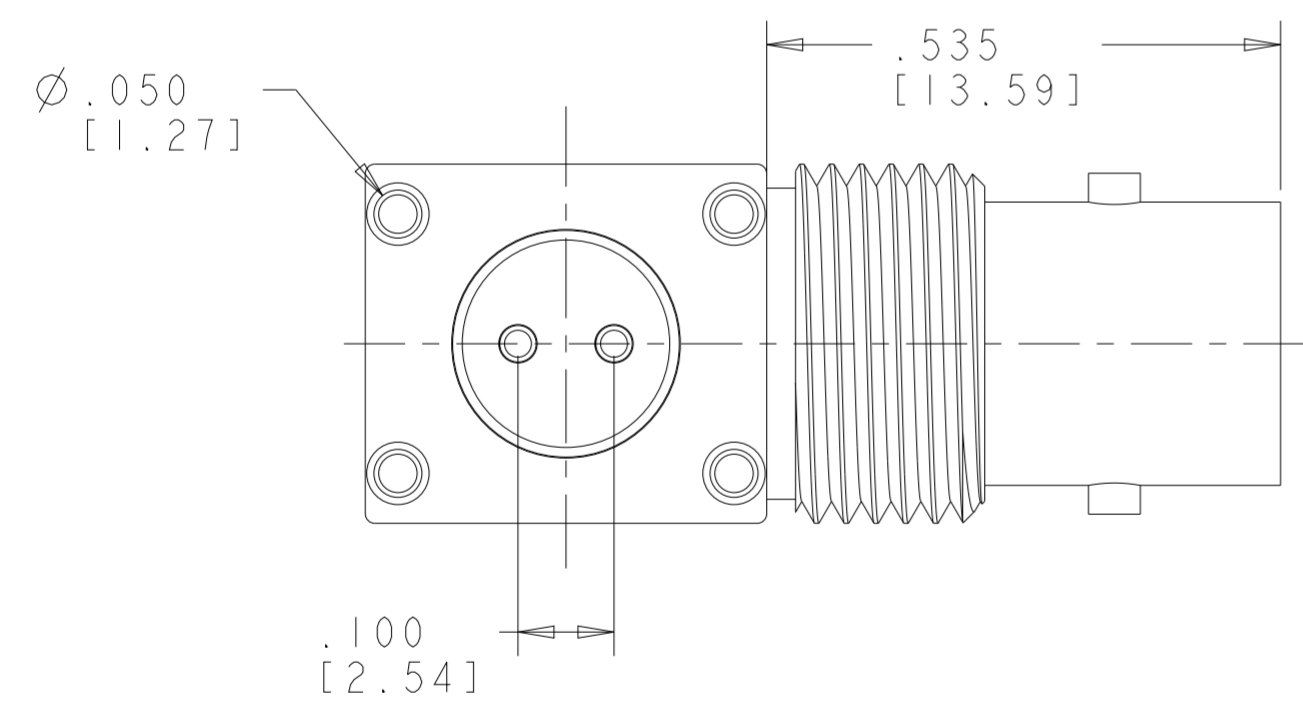


P	LTR	DESCRIPTION	DATE	DWN	APVD
	A2	REVISED AS PER ECN-25-356649	13OCT2025	YS	WZ



RECOMMENDED PANEL CUTOUT TYP
TOLERANCE: ±.003 [0.08]



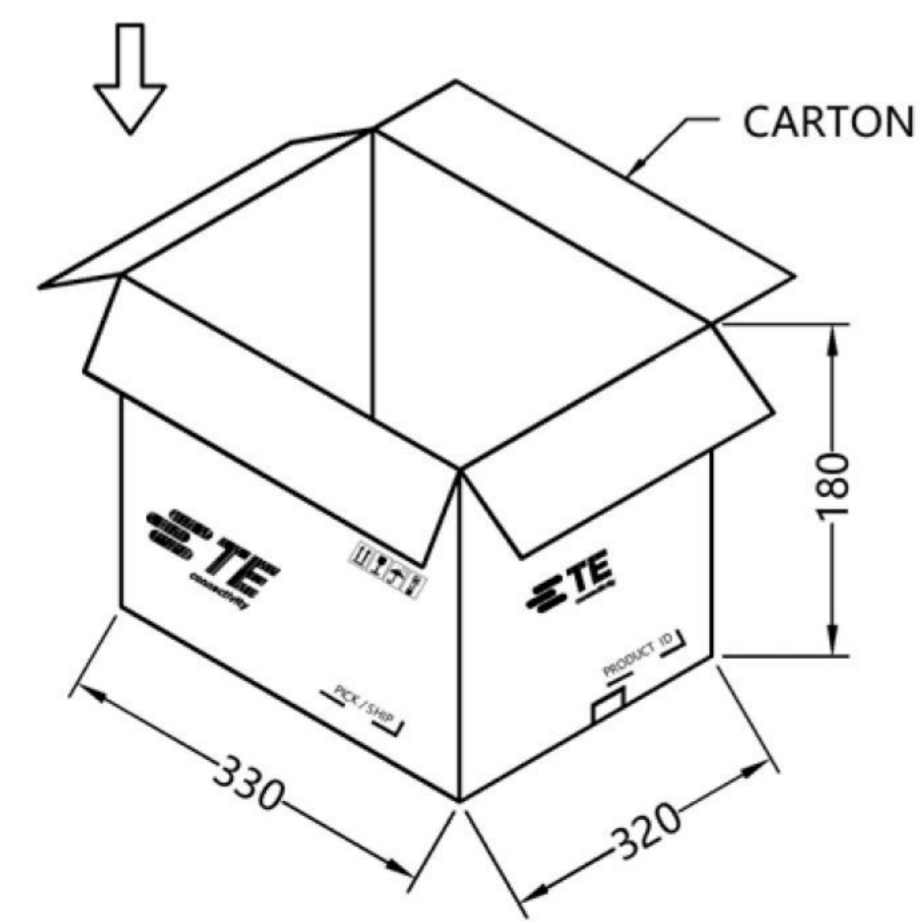
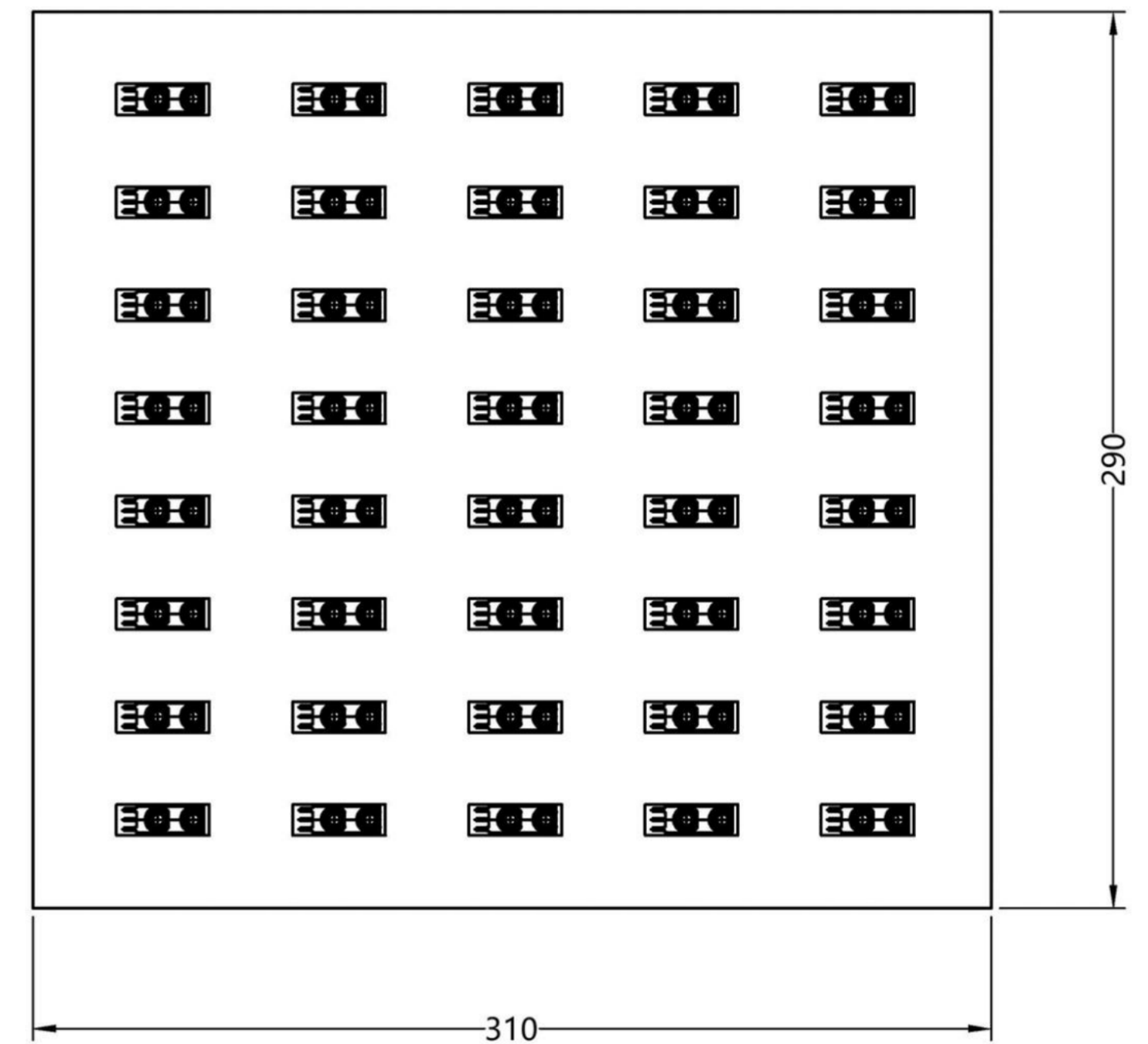
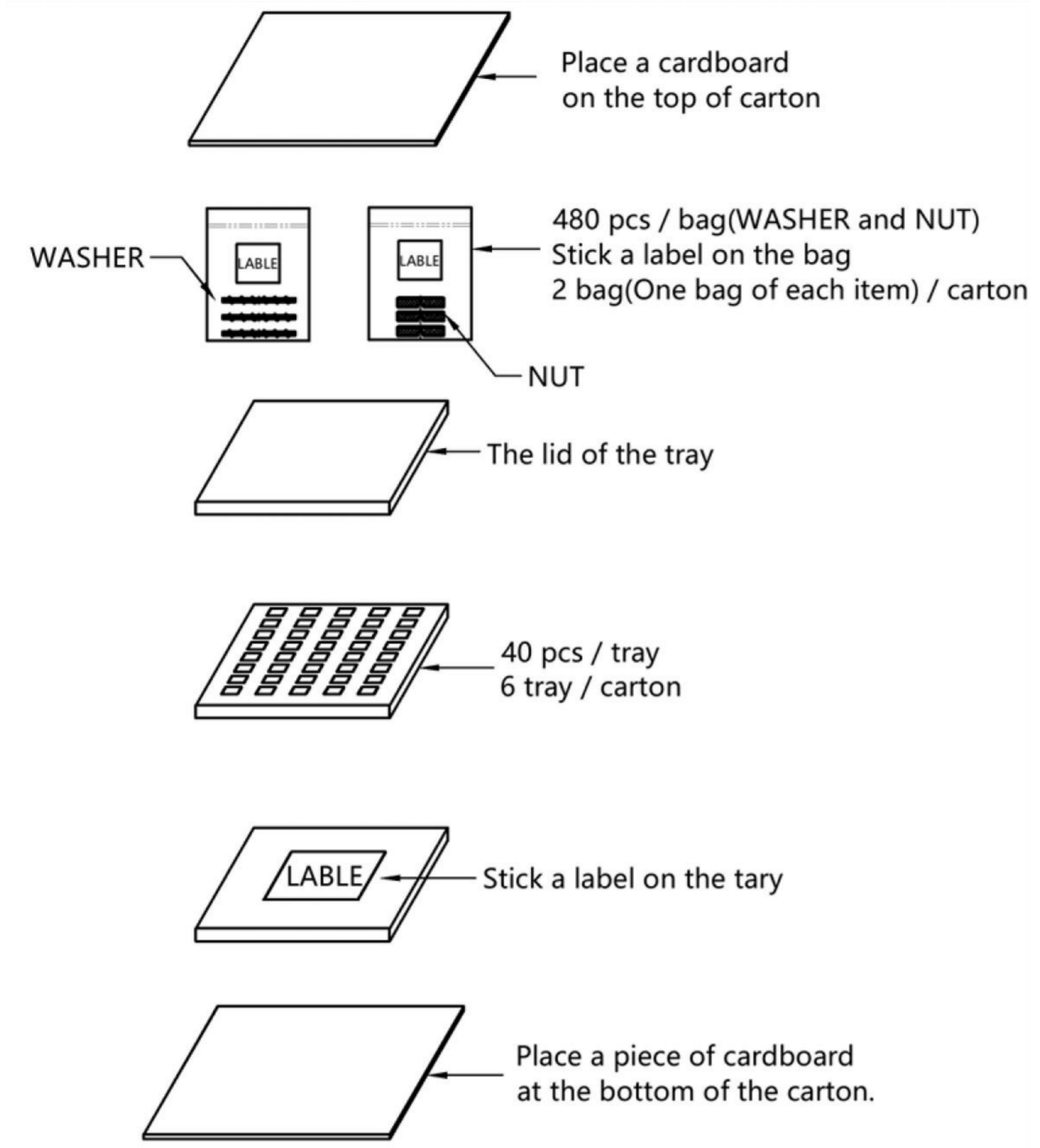
RECOMMENDED PCB LAYOUT
(TOLERANCE: ±.003 [0.08])

⚠ P/N INCLUDES 1 CONNECTOR (SEE TABLE AND SHOWN ABOVE), 2 JAM NUTS P/N 1274610-2 AND 2 LOCKWASHERS P/N 1-329492-1 (NOT SHOWN) PACKAGED SEPERATELY

.093	1274684-2	△ 1274663-3
.155	1274684-1	△ 1274663-2
L	CONNECTOR	PART NUMBER

THIS DRAWING IS A CONTROLLED DOCUMENT.		DWN K. WEIDNER 12APR2005	STE TE Connectivity	
DIMENSIONS: INCHES [mm]		CHK K. WEIDNER 12APR2005		
TOLERANCES UNLESS OTHERWISE SPECIFIED:		APVD K. WEIDNER 12APR2005	NAME JACK, 2 POSITION, R/A, PCB, MINI BNC KIT	
0 PLC ±	1 PLC ±	PRODUCT SPEC 108-2159	SIZE A2	
2 PLC ±	3 PLC ±.005 [0.13]	APPLICATION SPEC	CAGE CODE 00779	DRAWING NO C-1274663
4 PLC ±	ANGLES ±2	FINISH	RESTRICTED TO	
MATERIAL material_2	FINISH finish_spec_2	WEIGHT	SCALE 5:1	SHEET 1 OF 2
CUSTOMER DRAWING			REV A2	

REVISIONS					
P	LTR	DESCRIPTION	DATE	DWN	APVD
-		SEE SHEET 1	-	-	-



NOTE:
 1. 40PCS/TRAY, 480PCS COMPONENTS/BAGS
 2. (6 TRAY+2BAG)/CARTON=240PCS/CARTON

THIS DRAWING IS A CONTROLLED DOCUMENT.		DWN K. WEIDNER 12APR2005	TE Connectivity	
DIMENSIONS: INCHES [mm]		CHK K. WEIDNER 12APR2005		
TOLERANCES UNLESS OTHERWISE SPECIFIED:		APVD K. WEIDNER 12APR2005	NAME JACK, 2 POSITION, R/A, PCB, MINI BNC KIT	
0 PLC ±	1 PLC ±	PRODUCT SPEC	SIZE	CAGE CODE
2 PLC ±	3 PLC ±.005 [0.13]	108-2159	A2	00779
4 PLC ±	ANGLES ±2	APPLICATION SPEC	DRAWING NO	RESTRICTED TO
MATERIAL	FINISH	WEIGHT	C-1274663	-
material_2	finish_spec_2	CUSTOMER DRAWING	SCALE 5:1	SHEET 2 OF 2