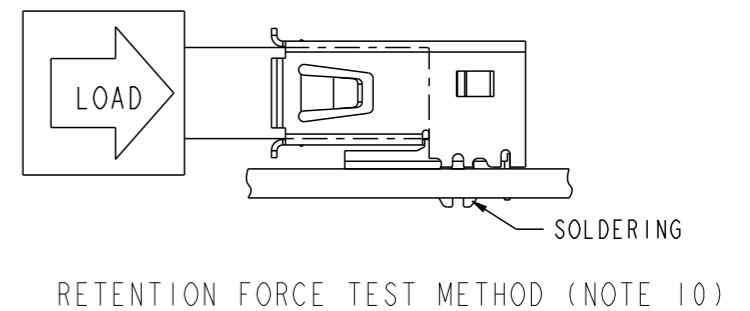
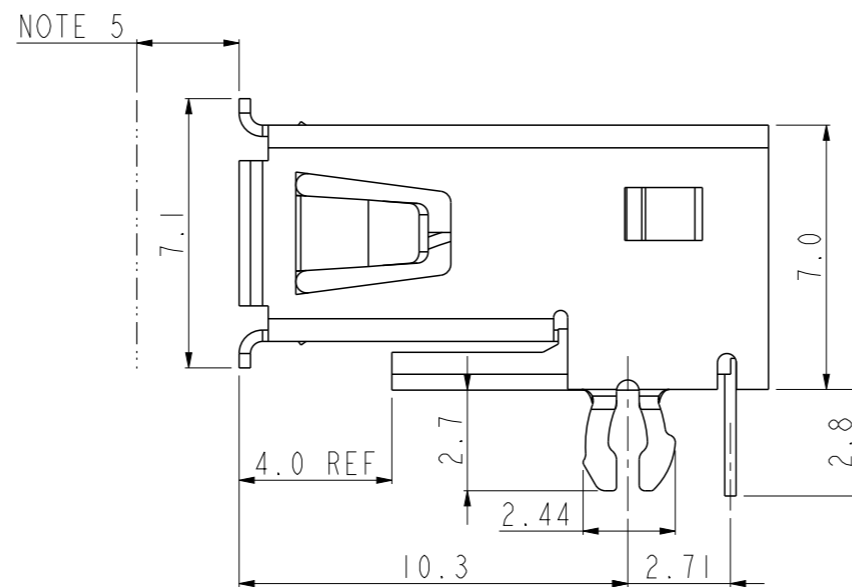
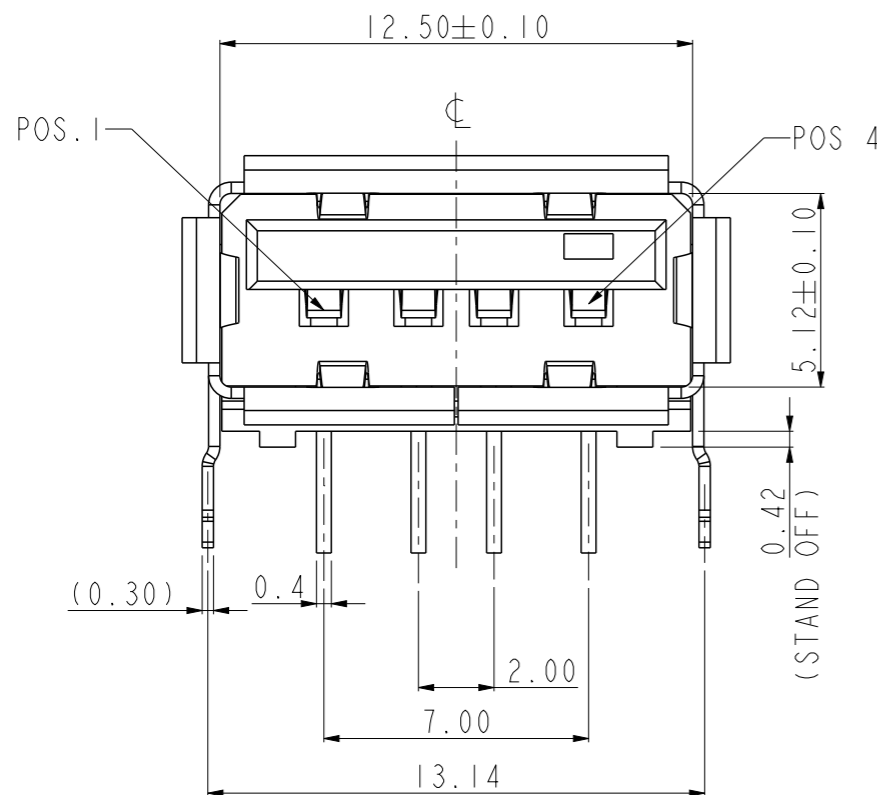


NOTES:

1. MATERIAL:
CONTACTS: COPPER ALLOY
SHELL: COPPER ALLOY
HOUSING: UL 94V-0 RATED, HIGHT TEMPERATURE THERMOPLASTIC;
2. PLATING:
CONTACTS: SEE PRODUCT NUMBER CODE
SHELL: SEE PRODUCT NUMBER CODE;
3. DATUM AND BASIC DIMENSIONS ESTABLISHED BY CUSTOMER;
4. RECOMMENDED PC BOARD THICKNESS OF 1.57mm
5. 2.67mm MAXIMUM PANEL THICKNESS IF MOUNTED BEHIND PANEL;
6. PRODUCT SPEC GS-12-095
7. PACKING STANDARD GS-14-920, WILL BE APPLIED FOR LEAD FREE P/N'S;
8. THE PRODUCT MEET EUROPEAN UNION DIRECTIVES AND OTHER COUNTRY REGULATION AS DESCRIBED IN GS-22-008;
9. THE HOUSING WILL WITHSTAND EXPOSURE TO 260~C PEAK TERMERATURE FOR 20 SECONDS IN A CONVECTION, INFRO-RED OR VAPOR PHASE REFLOW OVEN;
10. HOUSING PULL OFF THE SHELL RETENTION FORCE: 250N MIN;
11. THE PRODUCT CAN BE USED PIP PROCESS;
12. THE PRODUCT CAN PASS 16 HOURS SALT SPRAY TEST.



spec ref				dr	Li-Qing Lei	2014/04/21	projection	MM	size	A3	scale	5.000
tolerance std	TOLERANCES UNLESS OTHERWISE SPECIFIED			eng	Li-Qing Lei	2025/10/23			ecn no	ELX-N-57790-1		
				chr	-	-			rel level	Released		
surface		linear	0.X	±0.3	Amphenol FCI www.fci.com	title USB RECEPCTACLE R/A, T/H, A TYPE cat. no.	product family	dwg no 10129475	rev C	Product - Customer Drw		
										sheet 1 of 2		
		angular	0°	±3°								

PRODUCT NUMBER DESCRIPTION

10129475- X X X X X X LF

BASE PRODUCT NUMBER

HOUSING COLOR

- 0 - BLACK
- 1 - WHITE

SHELL TYPE AND SHELL PLATING OPTIONS

- 1 - NO BACK SHIELD, NICKEL PLATING OVER ALL TIN ON LEGS

EXTENSION

- 0 - NONE

TERMINAL PLATING OPTION

- 0 - 1.25um Ni UNDERPLATE
- 0.76um GXT CONTACT AREA
- 2.50um MATTE TIN TAIL AREA FOR P/N'S

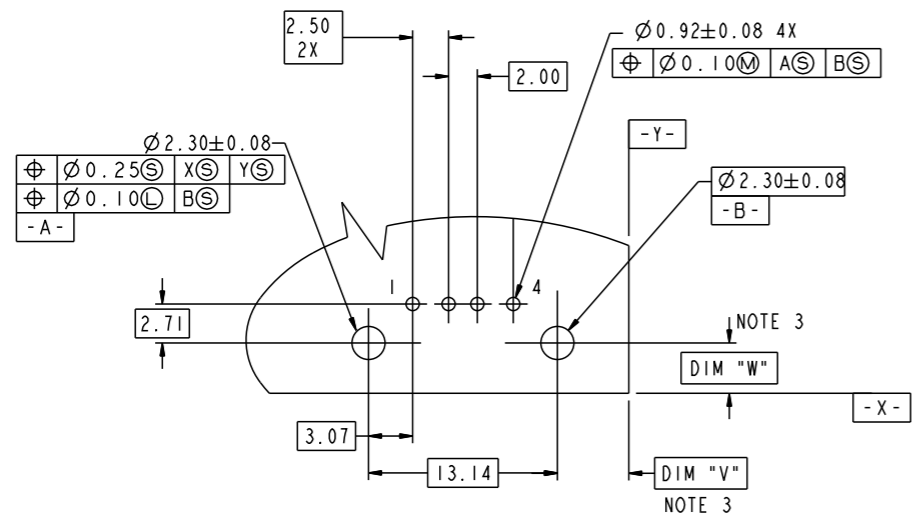
PACKAGING OPTIONS

- A - TAPE AND REEL
- B - TUBES
- T - TRAY

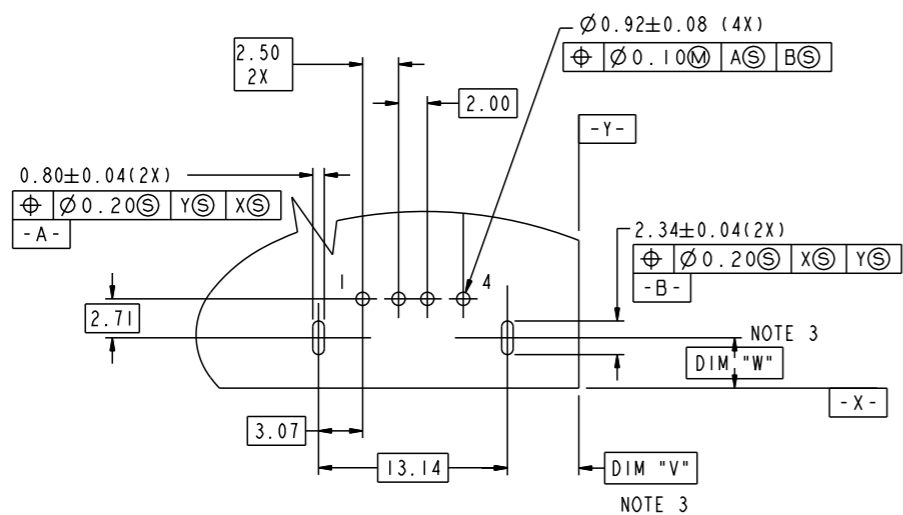
DATE CODE

- P - PRINT DATECODE
- N - WHITHOUT DATECODE

LEAD FREE



RECOMMENDED PCB LAYOUT
TYPE 1



RECOMMENDED PCB LAYOUT
TYPE 2

spec ref	dr	Li-Qing Lei	2014/04/21	projection	MM	size	A3	scale	5.000
tolerance std	eng	Li-Qing Lei	2025/10/23			ecn no	ELX-N-57790-1		
TOLERANCES UNLESS OTHERWISE SPECIFIED						product family	rel level	Released	
surface	linear	0.X	±0.3		USB RECEPTACLE R/A, T/H, A TYPE	dwg no 10129475	rev C		
		0.XX	±0.2						
		0.XXX	±0.1						
	angular	0°	±3°	cat. no.	Product - Customer Drw	sheet 2 of 2			