

194002-1 ACTIVE

ELCON

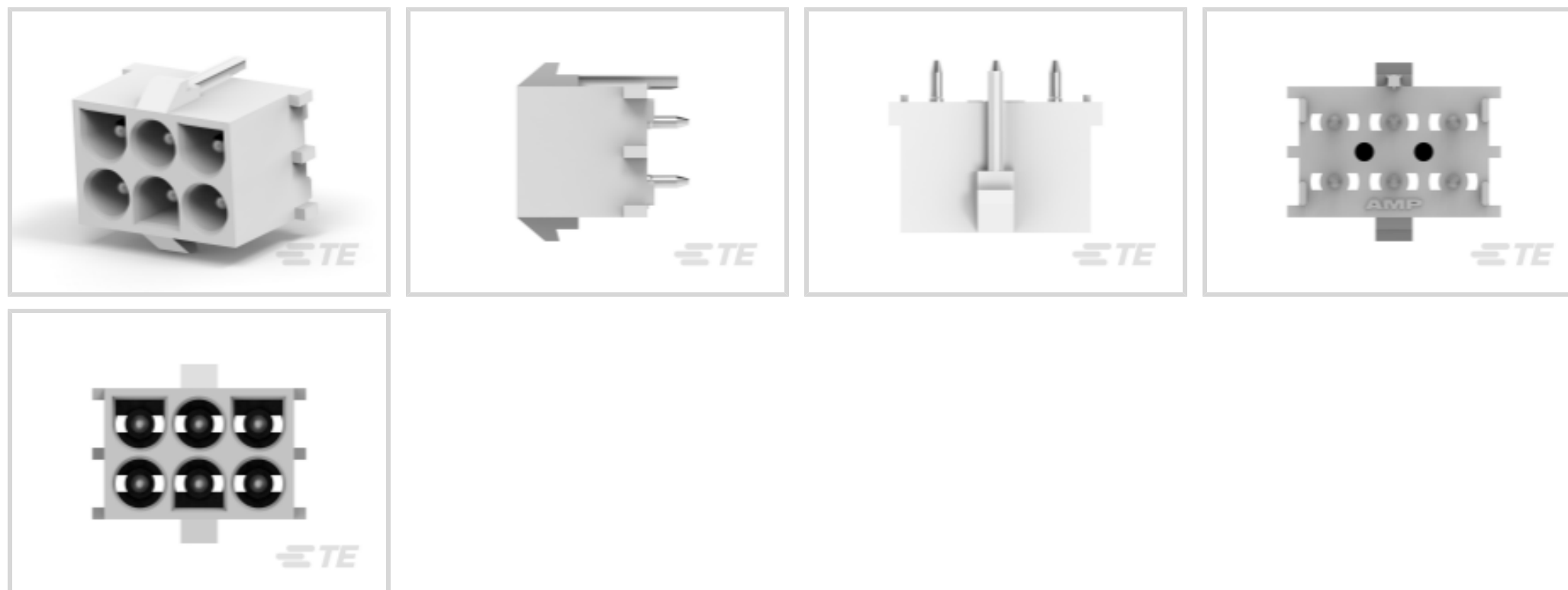
TE Internal #: 194002-1

PCB Mount Header, Vertical, Wire-to-Board, 6 Position, 6.35 mm [.25 in] Centerline, Fully Shrouded, Silver, Through Hole - Solder, Power, White, Bag

[View on TE.com >](#)



Connectors > PCB Connectors > PCB Headers & Receptacles



EU RoHS Compliance: **Compliant**

EU ELV Compliance: **Compliant**

PCB Connector Assembly Type: **PCB Mount Header**

PCB Mount Orientation: **Vertical**

Connector System: **Wire-to-Board**

Features

Other

| | |
|--------------------|-----------|
| EU RoHS Compliance | Compliant |
| EU ELV Compliance | Compliant |

Product Type Features

| | |
|-----------------------------------|-----------------------|
| Connector Shape | Rectangular |
| PCB Connector Assembly Type | PCB Mount Header |
| Connector System | Wire-to-Board |
| Header Type | Fully Shrouded |
| Sealable | No |
| Connector & Contact Terminates To | Printed Circuit Board |

Configuration Features

| | |
|---------------------------|----------|
| Number of Power Positions | 6 |
| PCB Mount Orientation | Vertical |
| Number of Positions | 6 |
| Number of Rows | 2 |



Body Features

| | |
|-----------------------|-------|
| Primary Product Color | White |
|-----------------------|-------|

Contact Features

| | |
|---|--|
| Contact Underplating Material | Nickel |
| Mating Pin Diameter | 2 mm[.078 in] |
| Contact Underplating Material Thickness | 1.016 – 2.032 μ m[40 – 80 μ in] |
| Contact Size | 2mm |
| Contact Mating Area Plating Material Thickness | 5.08 – 10.16 μ m[200 – 400 μ in] |
| PCB Contact Termination Area Plating Material Thickness | 5.08 μ m[200 μ in] |
| Contact Shape & Form | Round |
| Contact Layout | Matrix |
| Contact Base Material | Copper Alloy |
| PCB Contact Termination Area Plating Material | Silver |
| Contact Mating Area Plating Material | Silver |
| Contact Type | Pin |
| Contact Current Rating (Max) | 35 A |

Termination Features

| | |
|--------------------------------|-----------------------|
| Termination Post & Tail Length | 3.68 mm[.145 in] |
| Termination Method to PCB | Through Hole - Solder |

Mechanical Attachment

| | |
|--------------------------|-------------------------|
| Mating Retention Type | Locking Tab |
| Mating Retention | With |
| Mating Alignment Type | Polarization |
| PCB Mount Alignment Type | Standard Polarized Tail |
| PCB Mount Retention | Without |
| PCB Mount Alignment | With |
| Connector Mounting Type | Board Mount |
| Mating Alignment | With |

Housing Features

| | |
|--------------------|-----------------|
| Housing Material | Nylon |
| Centerline (Pitch) | 6.35 mm[.25 in] |

Dimensions



| | |
|-----------------------------|------------------|
| Row-to-Row Spacing | 6.35 mm[.25 in] |
| Connector Width | 13.97 mm[.55 in] |
| PCB Thickness (Recommended) | 1.57 mm[.062 in] |
| Connector Height | 14.73 mm[.58 in] |
| Connector Length | 20.32 mm[.8 in] |

Usage Conditions

| | |
|-----------------------------|----------------------------|
| Operating Temperature (Max) | 105 °C[221 °F] |
| Operating Temperature Range | -40 – 105 °C[-40 – 221 °F] |

Operation/Application

| | |
|---------------------|-------|
| Circuit Application | Power |
|---------------------|-------|

Industry Standards

| | |
|---|-------------------------------|
| Compatible With Agency/Standards Products | UL, VDE, CSA |
| UL Rating | Recognized |
| Compatible With Approved Standards Products | UL E28476 |
| Glow Wire Rating | Standard Part - Not Glow Wire |
| UL Flammability Rating | UL 94V-0 |

Packaging Features

| | |
|--------------------|-----|
| Packaging Quantity | 25 |
| Packaging Method | Bag |

Product Compliance

[For compliance documentation, visit the product page on TE.com>](#)

| | |
|---|---|
| EU RoHS Directive 2011/65/EU | Compliant |
| EU ELV Directive 2000/53/EC | Compliant |
| China RoHS 2 Directive MIIT Order No 32, 2016 | No Restricted Materials Above Threshold |
| EU REACH Regulation (EC) No. 1907/2006 | Current ECHA Candidate List: JUNE 2024 (241) Candidate List Declared Against: JUNE 2024 (241) Does not contain REACH SVHC |
| Halogen Content | Low Halogen - Br, Cl, F, I < 900 ppm per homogenous material. Also BFR/CFR/PVC Free |
| Solder Process Capability | Wave solder capable to 265°C |

Product Compliance Disclaimer

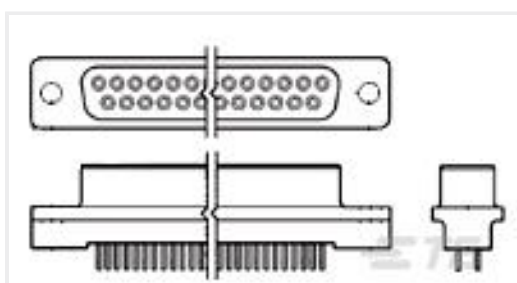
This information is provided based on reasonable inquiry of our suppliers and represents our current actual knowledge based on the information they provided. This information is subject to change. The part numbers that TE has identified as EU RoHS compliant have a maximum concentration of 0.1% by weight in homogenous materials for lead, hexavalent chromium, mercury, PBB, PBDE, DBP, BBP, DEHP, DIBP, and 0.01% for cadmium, or qualify for an exemption to these limits as defined in the Annexes of Directive 2011/65/EU (RoHS2). Finished electrical and electronic equipment products will be CE marked as required by Directive 2011/65/EU. Components may not be CE marked. Additionally, the part numbers that TE has identified as EU ELV compliant have a maximum concentration of 0.1% by weight in homogenous materials for lead, hexavalent chromium, and mercury, and 0.01% for cadmium, or qualify for an exemption to these limits as defined in the Annexes of Directive 2000/53/EC (ELV). Regarding the REACH Regulation, the information TE provides on SVHC in articles for this part number is based on the latest European Chemicals Agency (ECHA) 'Guidance on requirements for substances in articles' posted at this URL: <https://echa.europa.eu/guidance-documents/guidance-on-reach>

Compatible Parts



TE Part # 770020-1
06P UMNLI IN-LNE PLUG HSG KIT

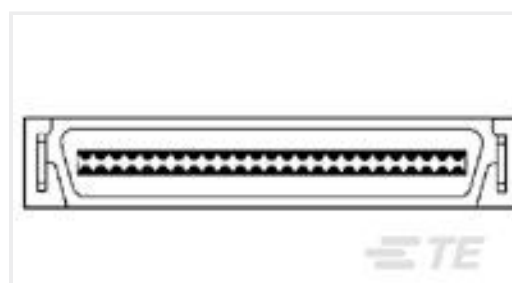
Customers Also Bought



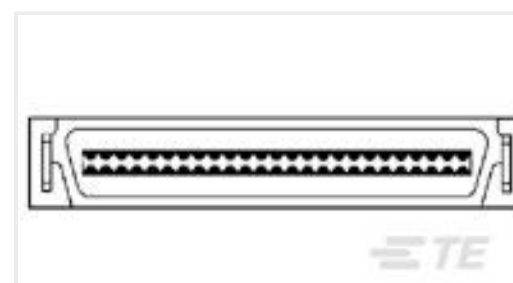
TE Part #745076-3
09 RCPT SP/AP SCRLK



TE Part #1-640389-3
13P MTA156 HDR ASSY SQ R/A F/L



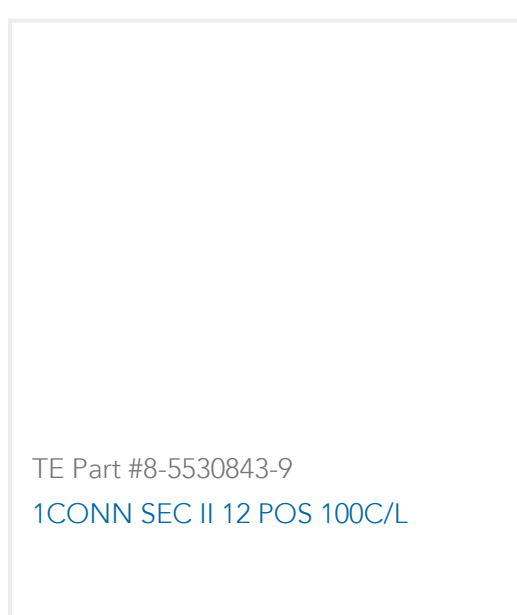
TE Part #1-1734101-1
Champ050 series,100pos,Au over PdNi



TE Part #1-1734101-7
Champ050 series, 50 pos,30u" Au, 3.30 H



TE Part #6489170-2
CONN SEC II 30 POS 100C/L, S/L



TE Part #8-5530843-9
1CONN SEC II 12 POS 100C/L

Documents

Product Drawings

[PIN ASSY..070](#)

English

CAD Files



Customer View Model

[ENG_CVM_194002-1_H.2d_dxf.zip](#)

English

Customer View Model

[ENG_CVM_194002-1_H.3d_igs.zip](#)

English

Customer View Model

[ENG_CVM_194002-1_H.3d_stp.zip](#)

English

[3D PDF](#)

English

By downloading the CAD file I accept and agree to the [Terms and Conditions](#) of use.

Datasheets & Catalog Pages

[SOFT_SHELL_PIN_SOCKET_CONNECTORS_STANDARD_DENSITY](#)

English

Product Specifications

[Application Specification](#)

English

Agency Approvals

[VDE Certificate](#)

English

[VDE Certificate](#)

English