



Buchanan | Buchanan 4 Series

TE Internal #: 1-1437649-5

Tri-Barrier, Printed Circuit Pin, Wire-to-Board, 12 Position, 8.26 mm [.325 in] Centerline, 1 Row, Buchanan 4 Series, Barrier Strips

[View on TE.com >](#)

Connectors > Terminal Blocks & Strips > Barrier Strips



Barrier Strip Style: **Tri-Barrier**

Bottom Termination Type: **Printed Circuit Pin**

Connector System: **Wire-to-Board**

Number of Positions: **12**

Centerline (Pitch): **8.26 mm [.325 in]**

Features

Body Features

| | |
|-----------------------|-------------|
| Barrier Strip Style | Tri-Barrier |
| Primary Product Color | Black |
| Product Orientation | Vertical |

Termination Features

| | |
|-------------------------|---------------------|
| Bottom Termination Type | Printed Circuit Pin |
|-------------------------|---------------------|

Product Type Features

| | |
|-----------------------------------|----------------------------|
| Connector System | Wire-to-Board |
| Connector & Contact Terminates To | Printed Circuit Board |
| Block Style | Flat Bottom with standoffs |

Configuration Features

| | |
|---------------------|----|
| Number of Positions | 12 |
| Number of Rows | 1 |
| Number of Levels | 1 |

Housing Features



| | |
|--------------------|-------------------|
| Centerline (Pitch) | 8.26 mm [.325 in] |
|--------------------|-------------------|

| | |
|------------------|-----------|
| Housing Material | Polyamide |
|------------------|-----------|

Electrical Characteristics

| | |
|-------------------|--------------|
| Operating Voltage | 300 V, 150 V |
|-------------------|--------------|

Dimensions

| | |
|-----------|-----------------------------|
| Wire Size | .326 – 3.31 mm ² |
|-----------|-----------------------------|

| | |
|----------------|----------------------|
| Product Length | 100.71 mm [3.955 in] |
|----------------|----------------------|

Contact Features

| | |
|------------------------------|------|
| Contact Current Rating (Max) | 20 A |
|------------------------------|------|

| | |
|-----------------------|--------------|
| Contact Base Material | Copper Alloy |
|-----------------------|--------------|

| | |
|---|-----|
| PCB Contact Termination Area Plating Material | Tin |
|---|-----|

Mechanical Attachment

| | |
|-------------------------|-------------|
| Connector Mounting Type | Board Mount |
|-------------------------|-------------|

| | |
|----------------------|-----------------------|
| Top Termination Type | Wire Clamp Combo Head |
|----------------------|-----------------------|

| | |
|------------------|------|
| Mounting Options | None |
|------------------|------|

| | |
|------------------------|------|
| Screw Plating Material | Zinc |
|------------------------|------|

| | |
|----------------|-------|
| Screw Material | Steel |
|----------------|-------|

| | |
|-------------|------|
| Thread Size | 4-40 |
|-------------|------|

| | |
|-----------------|-----------------|
| Screw Head Type | Combo Phil-Slot |
|-----------------|-----------------|

Other

| | |
|--------------------|-----------|
| EU RoHS Compliance | Compliant |
|--------------------|-----------|

| | |
|-------------------|-----------|
| EU ELV Compliance | Compliant |
|-------------------|-----------|

Operation/Application

| | |
|---------------------|-------|
| Circuit Application | Power |
|---------------------|-------|

Industry Standards

| | |
|------------------------|----------|
| UL Flammability Rating | UL 94V-0 |
|------------------------|----------|

Packaging Features

| | |
|------------------|---------|
| Packaging Method | Package |
|------------------|---------|

| | |
|--------------------|-----|
| Packaging Quantity | 140 |
|--------------------|-----|

Product Compliance

[For compliance documentation, visit the product page on TE.com>](#)

| | |
|---|---|
| EU RoHS Directive 2011/65/EU | Compliant |
| EU ELV Directive 2000/53/EC | Compliant |
| China RoHS 2 Directive MIIT Order No 32, 2016 | No Restricted Materials Above Threshold |
| EU REACH Regulation (EC) No. 1907/2006 | Current ECHA Candidate List: JUNE 2024 (241) Candidate List Declared Against: JUNE 2023 (235) Does not contain REACH SVHC |
| Halogen Content | Low Halogen - Br, Cl, F, I < 900 ppm per homogenous material. Also BFR/CFR/PVC Free |
| Solder Process Capability | Wave solder capable to 265°C |

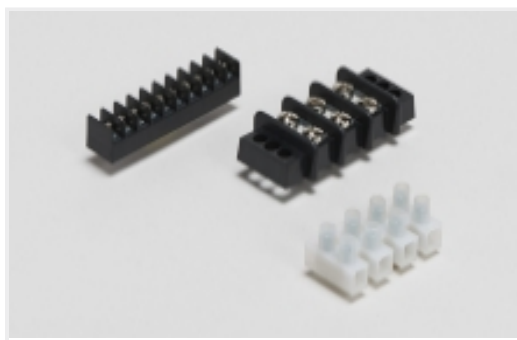
Product Compliance Disclaimer

This information is provided based on reasonable inquiry of our suppliers and represents our current actual knowledge based on the information they provided. This information is subject to change. The part numbers that TE has identified as EU RoHS compliant have a maximum concentration of 0.1% by weight in homogenous materials for lead, hexavalent chromium, mercury, PBB, PBDE, DBP, BBP, DEHP, DIBP, and 0.01% for cadmium, or qualify for an exemption to these limits as defined in the Annexes of Directive 2011/65/EU (RoHS2). Finished electrical and electronic equipment products will be CE marked as required by Directive 2011/65/EU. Components may not be CE marked. Additionally, the part numbers that TE has identified as EU ELV compliant have a maximum concentration of 0.1% by weight in homogenous materials for lead, hexavalent chromium, and mercury, and 0.01% for cadmium, or qualify for an exemption to these limits as defined in the Annexes of Directive 2000/53/EC (ELV). Regarding the REACH Regulation, the information TE provides on SVHC in articles for this part number is based on the latest European Chemicals Agency (ECHA) 'Guidance on requirements for substances in articles' posted at this URL: <https://echa.europa.eu/guidance-documents/guidance-on-reach>

Compatible Parts

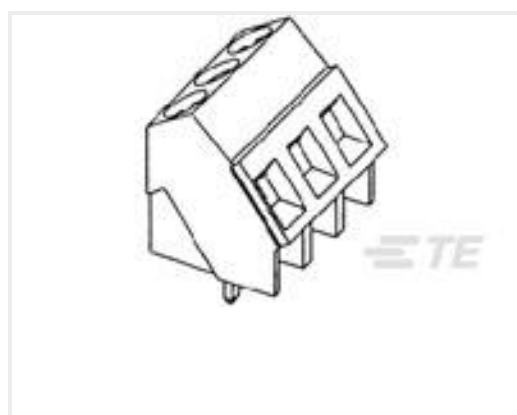


Also in the Series | [Buchanan 4 Series](#)



Barrier Strips(47)

Customers Also Bought

TE Part #5747250-6
09 MSFL PLUG RA 318 (SL,FM)TE Part #5745781-6
09 MSFL RCPT RA 318 (SL,FM)TE Part #350212-1
08C CMNL HDR ASSY PC NATLTE Part #1-2295018-2
USB TYPE C, REC OFFSET 0.65MM
DUAL SMTTE Part #9-1437652-5
6PCV-06-006=6PCV ASSEMBLYTE Part #796690-3
TERMI-BLOK PCB MOUNT 3PTE Part #CONREV SMA008
RP-SMA Jack 50 Ohm PCB Through
HoleTE Part #LICAL-DEC-MS001
DECODER MS IC CHIP RC
PROTOCOL T&RTE Part #RXM-418-LR
Module LR 418MHz AM OOK RX RCVR

Documents

Product Drawings

[4PCV-12-006=4PCV ASSEMBLY](#)

English

CAD Files

Customer View Model

[ENG_CVM_CVM_1-1437649-5_T1.3d_stp.zip](#)

English

Customer View Model



[ENG_CVM_CVM_1-1437649-5_T1.3d_igs.zip](#)

English

Customer View Model

[ENG_CVM_CVM_1-1437649-5_T1.2d_dxf.zip](#)

English

3D PDF

3D

By downloading the CAD file I accept and agree to the [Terms and Conditions](#) of use.

Datasheets & Catalog Pages

[1-1773458-2_BARRIER_STRIPS_QUICK_REFERENCE_GUIDE](#)

English