

1217113-1 ✓ ACTIVE

Positive Lock | Mark III, Positive Lock 187

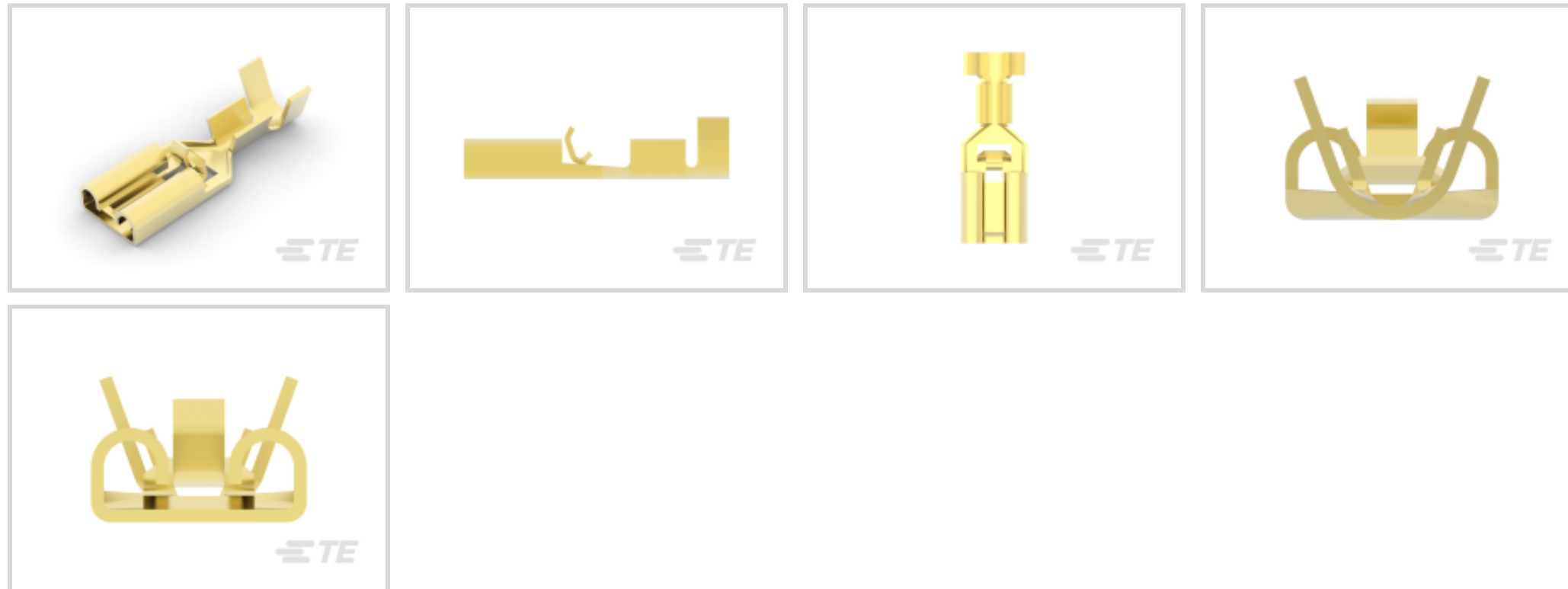
TE Internal #: 1217113-1

Receptacle, 22 – 18 AWG Wire Size, .32 – .82 mm<sup>2</sup> Wire Size,  
Mating Tab Width 4.75 mm [.187 in], Straight, Brass, Positive Lock  
187, Quick Disconnects

[View on TE.com >](#)



Terminals & Splices > Quick Disconnects



Quick Disconnect Terminal Type: **Receptacle**

Wire Size: .32 – .82 mm<sup>2</sup>

Mating Tab Width: 4.75 mm [.187 in]

Mating Tab Thickness: .51 mm [.02 in]

## Features

### Contact Features

Quick Disconnect Terminal Type	Receptacle
Mating Tab Width	4.75 mm [.187 in]
Mating Tab Thickness	.51 mm [.02 in]
Terminal Orientation	Straight
Contact Base Material	Brass
Terminal Plating Material	Unplated
Crimp Type	F-Crimp
Barrel Type	Open

### Dimensions

Wire Size	.32 – .82 mm <sup>2</sup>
Product Length	17.02 mm [.67 in]
Compatible Insulation Diameter Range	2.3 – 3.3 mm [.09 – .13 in]
Terminal Material Thickness	.36 mm [.014 in]

### Packaging Features

Packaging Method	Strip/Reel
------------------	------------



Packaging Quantity	15000
--------------------	-------

### Product Type Features

Insertion Force	Normal
Terminal Features	Wire Stop

### Usage Conditions

Insulation Option	Uninsulated
Operating Temperature Range	-40 – 110 °C[-40 – 230 °F]

### Other

EU RoHS Compliance	Compliant
EU ELV Compliance	Compliant

### Configuration Features

Compatible With Wire & Cable Type	Discrete Wire
Connection Capacity	Single

### Termination Features

Product Terminates To	Wire & Cable
-----------------------	--------------

### Mechanical Attachment

Wire Insulation Support	With
-------------------------	------

## Product Compliance

[For compliance documentation, visit the product page on TE.com>](#)

EU RoHS Directive 2011/65/EU	Compliant
EU ELV Directive 2000/53/EC	Compliant
China RoHS 2 Directive MIIT Order No 32, 2016	No Restricted Materials Above Threshold
EU REACH Regulation (EC) No. 1907/2006	Current ECHA Candidate List: JUNE 2024 (241) Candidate List Declared Against: JUNE 2024 (241) Does not contain REACH SVHC
Halogen Content	Low Halogen - Br, Cl, F, I < 900 ppm per homogenous material. Also BFR/CFR/PVC Free
Solder Process Capability	Not applicable for solder process capability

Product Compliance Disclaimer

This information is provided based on reasonable inquiry of our suppliers and represents our current actual knowledge based on the information they provided. This information is subject to change. The part numbers that TE has identified as EU RoHS compliant have a maximum concentration of 0.1% by weight in homogenous materials for lead, hexavalent chromium, mercury, PBB, PBDE, DBP, BBP, DEHP, DIBP, and 0.01% for cadmium, or qualify for an exemption to these limits as defined in the Annexes of Directive 2011/65/EU (RoHS2). Finished electrical and electronic equipment products will be CE marked as required by Directive 2011/65/EU. Components may not be CE marked. Additionally, the part numbers that TE has identified as EU ELV compliant have a maximum concentration of 0.1% by weight in homogenous materials for lead, hexavalent chromium, and mercury, and 0.01% for cadmium, or qualify for an exemption to these limits as defined in the Annexes of Directive 2000/53/EC (ELV). Regarding the REACH Regulation, the information TE provides on SVHC in articles for this part number is based on the latest European Chemicals Agency (ECHA) 'Guidance on requirements for substances in articles' posted at this URL: <https://echa.europa.eu/guidance-documents/guidance-on-reach>

## Compatible Parts



TE Part # 190679-2  
POSILOK T'P



TE Part # 170324-6  
POSITIVE LOCK 187 REC 24-20AWG  
0.3 PTPBR



TE Part # 2150432-2  
OCEAN\_2.0\_Applicator-E-080F155F-  
REA

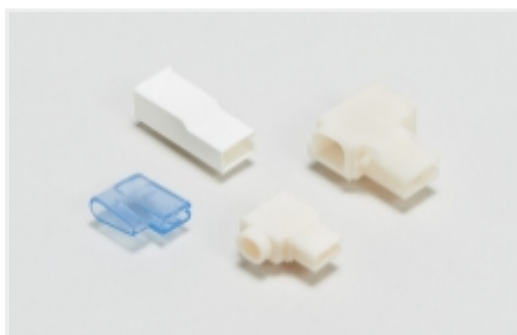


TE Part # 2825431-1  
187 SERIES POSITIVE LOCK (MARK-II)  
REC



TE Part # 7-2150432-7  
OCEAN\_2.0\_SPARE\_PART\_KIT-  
080F155F

## Also in the Series | Mark III



Crimp Terminal Housings(30)

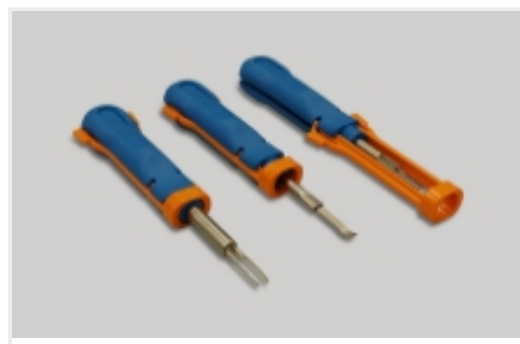


Quick Disconnects(15)

## Also in the Series | Positive Lock 187



Crimp Terminal Housings(86)



Insertion & Extraction Tools(2)



Insulation Boots & Sleeves(7)

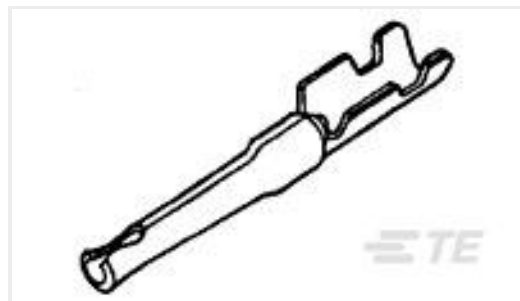


Quick Disconnects(57)

## Customers Also Bought



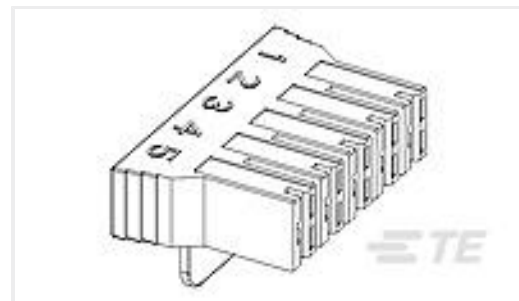
TE Part #1658682-1  
HDP-22,RCPT,SIZE 2,26 POSN



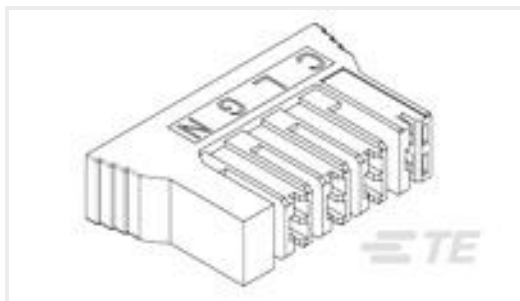
TE Part #1658686-2  
SOCKET CONT, 22-28 AWG, DF 22, AMPLIMITE



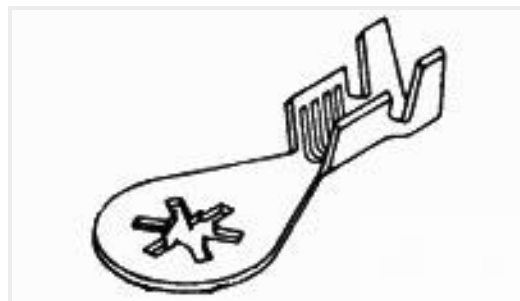
TE Part #926307-1  
6P UNIV.M-N-L.CAP



TE Part #521780-1  
250 HSG. PL MKIII REC. 7.11mm 5P NAT



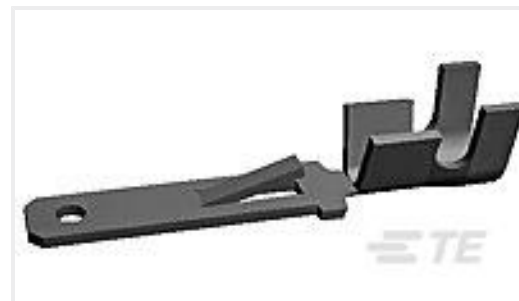
TE Part #521781-1  
250 HSG. PL MKIII REC. 6.81mm 4P NAT



TE Part #63482-1  
RING 18-14 AWG TPSTL



TE Part #63933-1  
PL .250 TERMINAL REC 22-18 AWG BR



TE Part #62553-1  
FF 250 TAB 22-18AWG BR



TE Part #36150  
PIDG R 22-16 COMM 22-18 MIL 6



TE Part #878462-000  
S1125-KIT-1

## Documents

### Product Drawings

[PL 187 TERMINAL RECEPTACLE 22-18 AWG BR](#)

English

### CAD Files

[3D PDF](#)

[3D](#)

### Customer View Model

[ENG\\_CVM\\_CVM\\_1217113-1\\_L.2d\\_dxf.zip](#)



English

**Customer View Model**

[ENG\\_CVM\\_CVM\\_1217113-1\\_L.3d\\_igs.zip](#)

English

**Customer View Model**

[ENG\\_CVM\\_CVM\\_1217113-1\\_L.3d\\_stp.zip](#)

English

By downloading the CAD file I accept and agree to the [Terms and Conditions](#) of use.

---

**Product Specifications**

[Application Specification](#)

English

---

**Agency Approvals**

[UL Report](#)

English